

SAW Filter 942.50MHz
Part No: MP05870

Model: TA1726A
Rev No: 1

A. MAXIMUM RATING:

Electrostatic Sensitive Device (ESD)

1. Input Power Level: 10dBm
2. DC Voltage: 3V
3. Operating Temperature: -30°C to +85°C
4. Storage Temperature: -40°C to +85°C

B. ELECTRICAL CHARACTERISTICS:

1. Terminating source impedance: $Z_S = 50\Omega$
2. Terminating load impedance: $Z_L = 50\Omega$

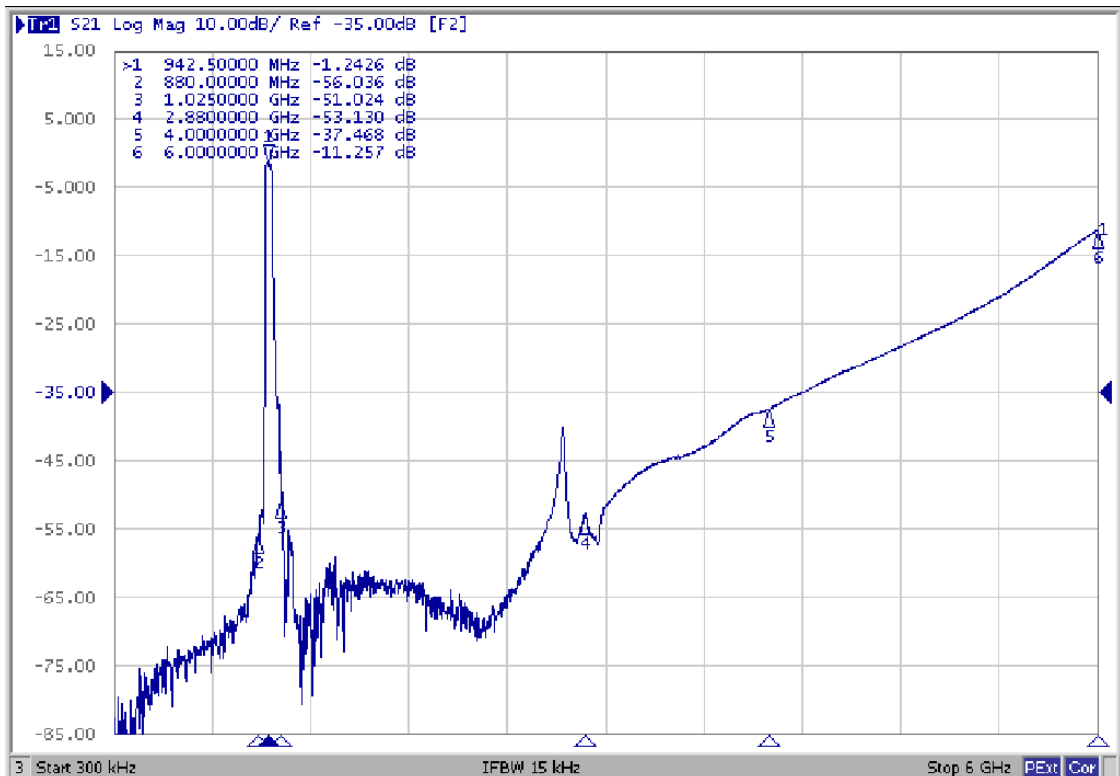
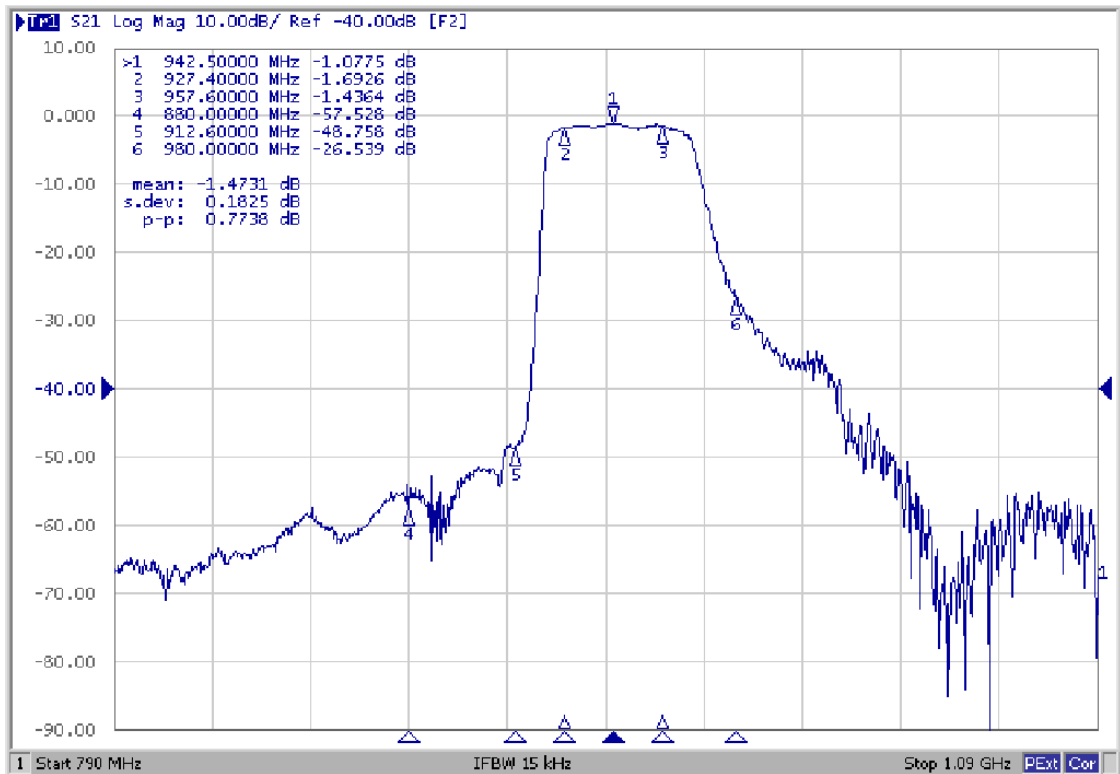
Item	Unit	Min.	Typ.	Max.
Center Frequency (Fc)	MHz	-	942.5	-
Insertion Loss within 927.4 ~ 957.6MHz	dB	-	1.9	2.5
Amplitude Ripple within 927.4 ~ 957.6MHz	dB p-p	-	0.8	1.5
Input VSWR within 927.4 ~ 957.6MHz	-	-	2.0	2.5
Output VSWR within 927.4 ~ 957.6MHz	-	-	2.0	2.5
Attenuation:				
DC ~ 880.0MHz	dB	50	62	-
880.0 ~ 912.6MHz	dB	46	53	-
980.0 ~ 1025.0MHz	dB	22	26	-
1025.0 ~ 2880.0MHz	dB	33	42	-
2880.0 ~ 4000.0MHz	dB	34	46	-
4000.0 ~ 6000.0MHz	dB	8	19	-

Notes: No Matching Network.

SAW Filter 942.50MHz
Part No: MP05870

Model: TA1726A
Rev No: 1

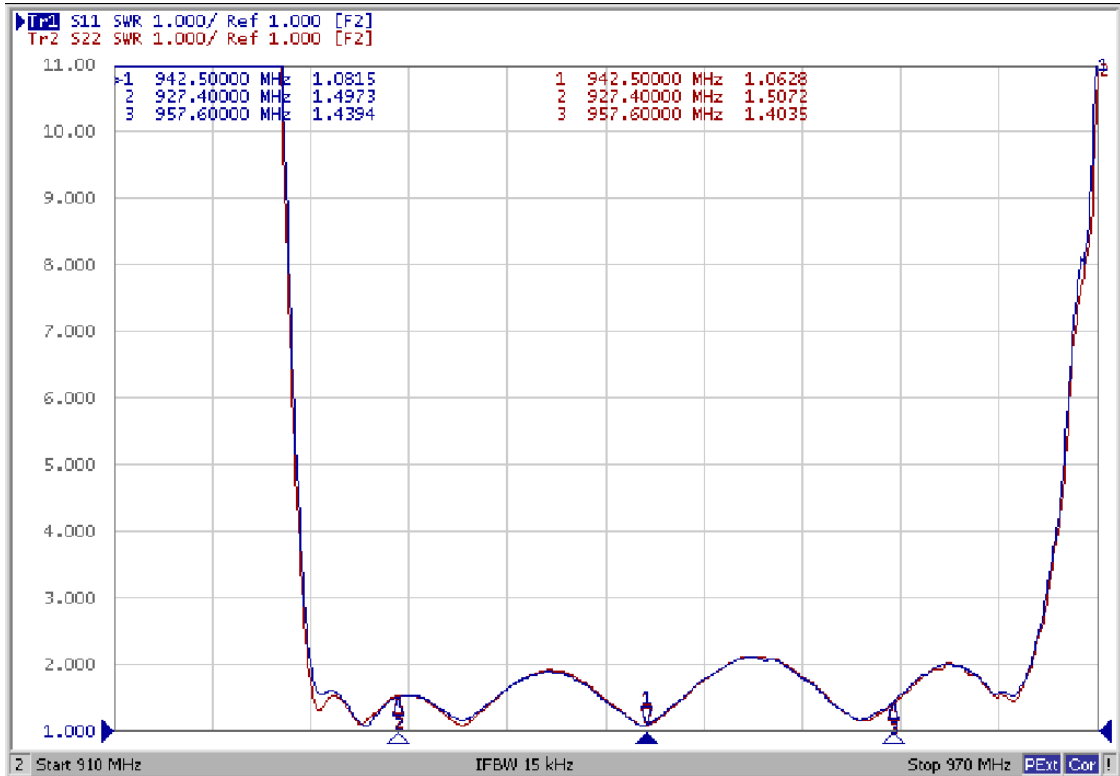
C. FREQUENCY CHARACTERISTICS:



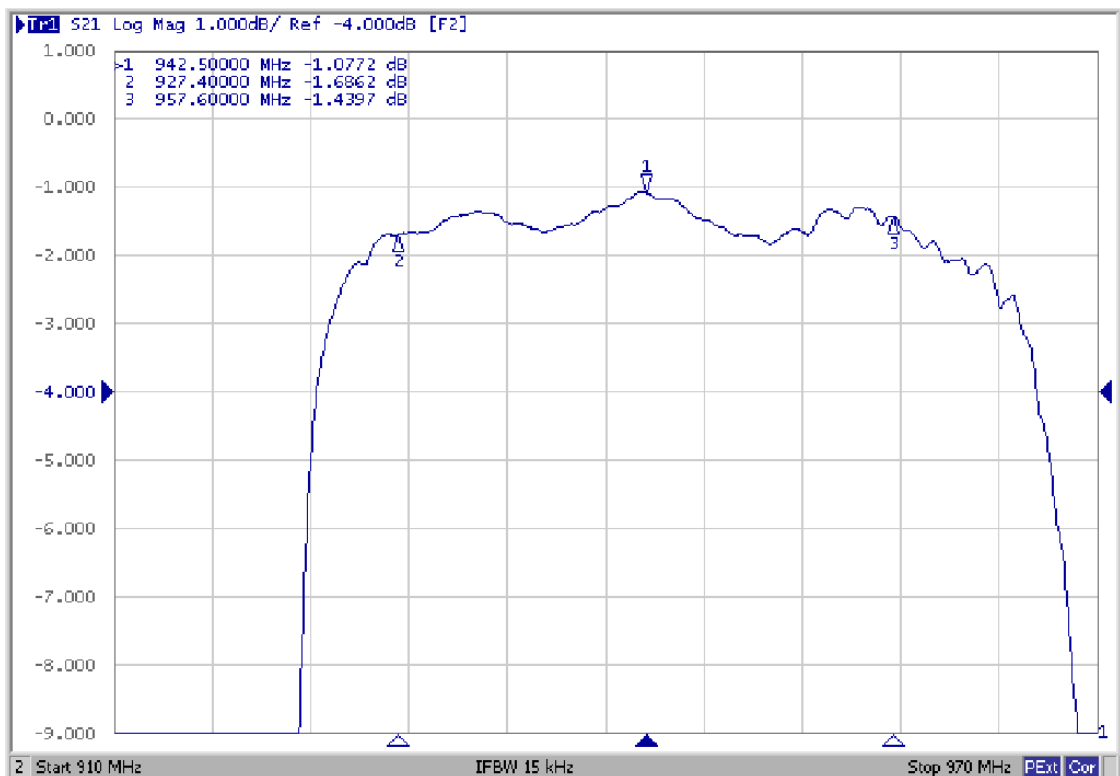
SAW Filter 942.50MHz
Part No: MP05870

Model: TA1726A
Rev No: 1

VSWR



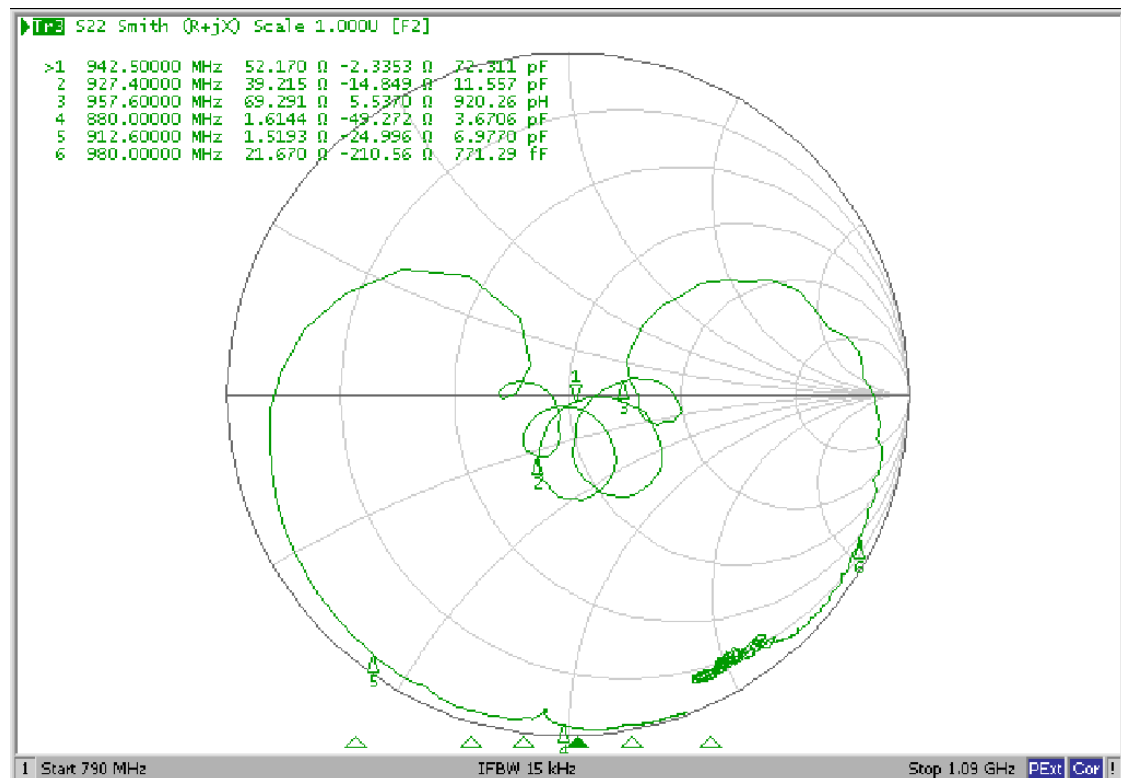
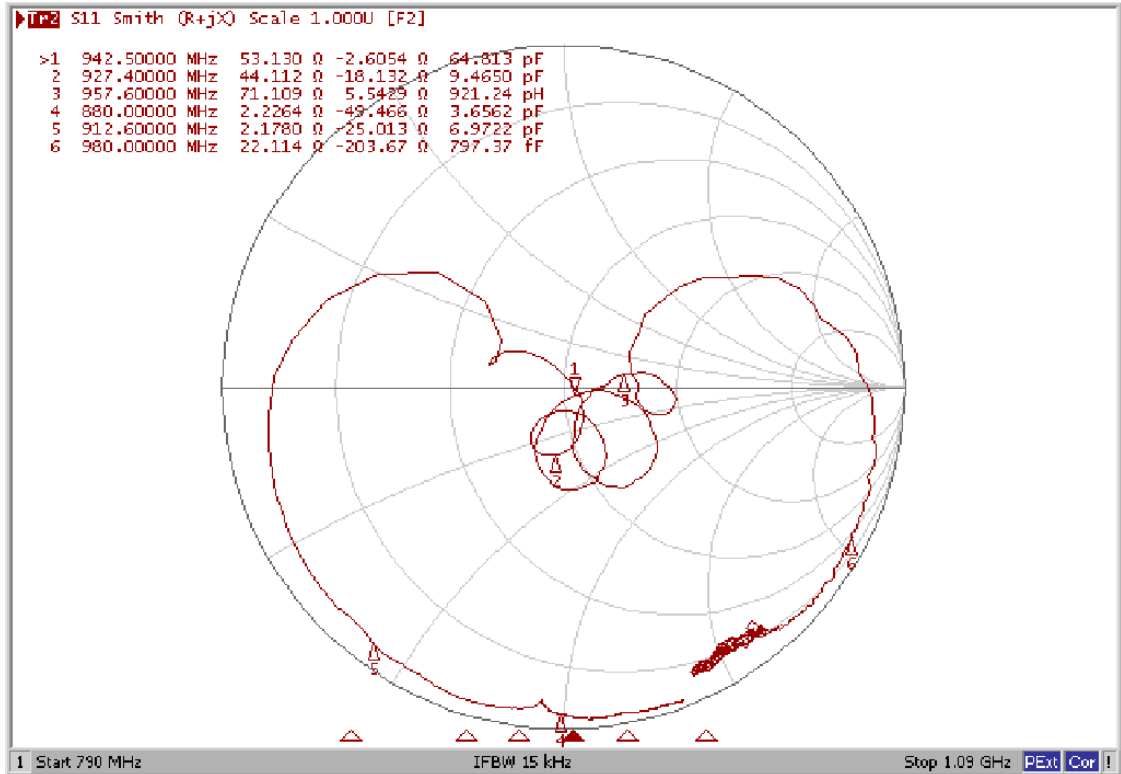
Ripple



SAW Filter 942.50MHz
Part No: MP05870

Model: TA1726A
Rev No: 1

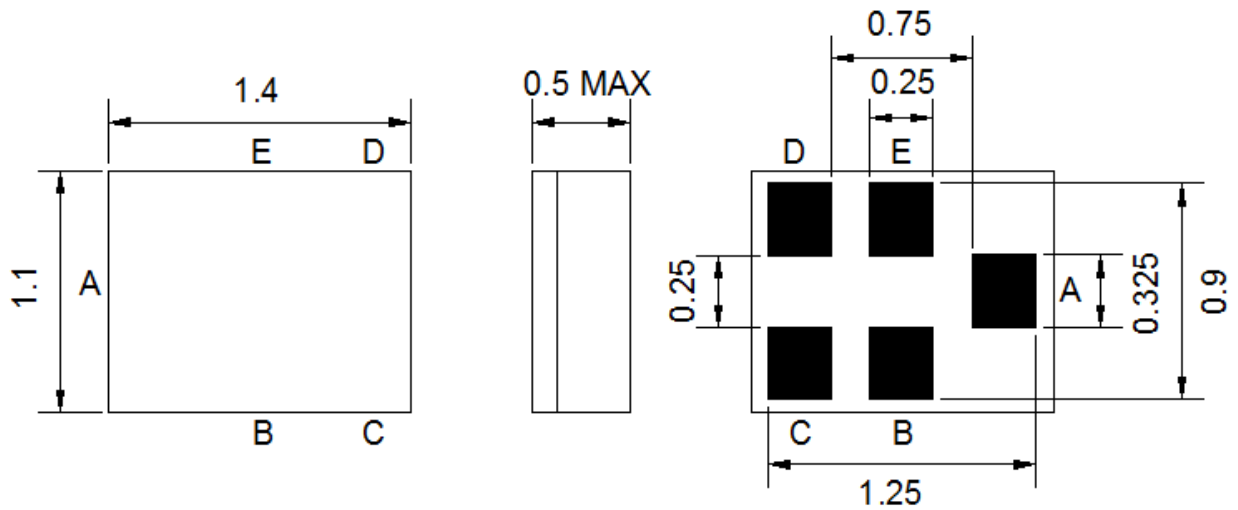
Smith Chart



SAW Filter 942.50MHz
Part No: MP05870

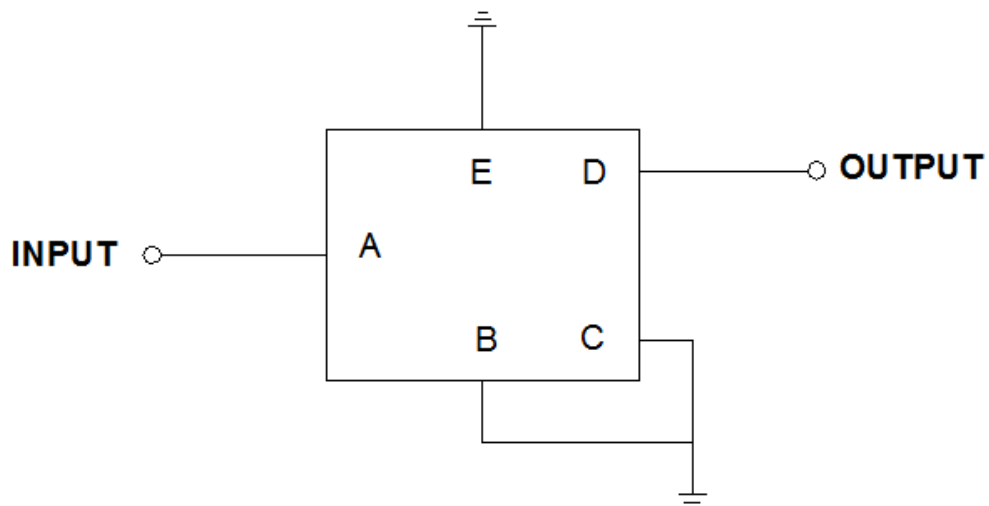
Model: TA1726A
Rev No: 1

D. OUTLINE DRAWING:



B, C, E: Ground
A: Input
D: Output

E. MEASUREMENT CIRCUIT:



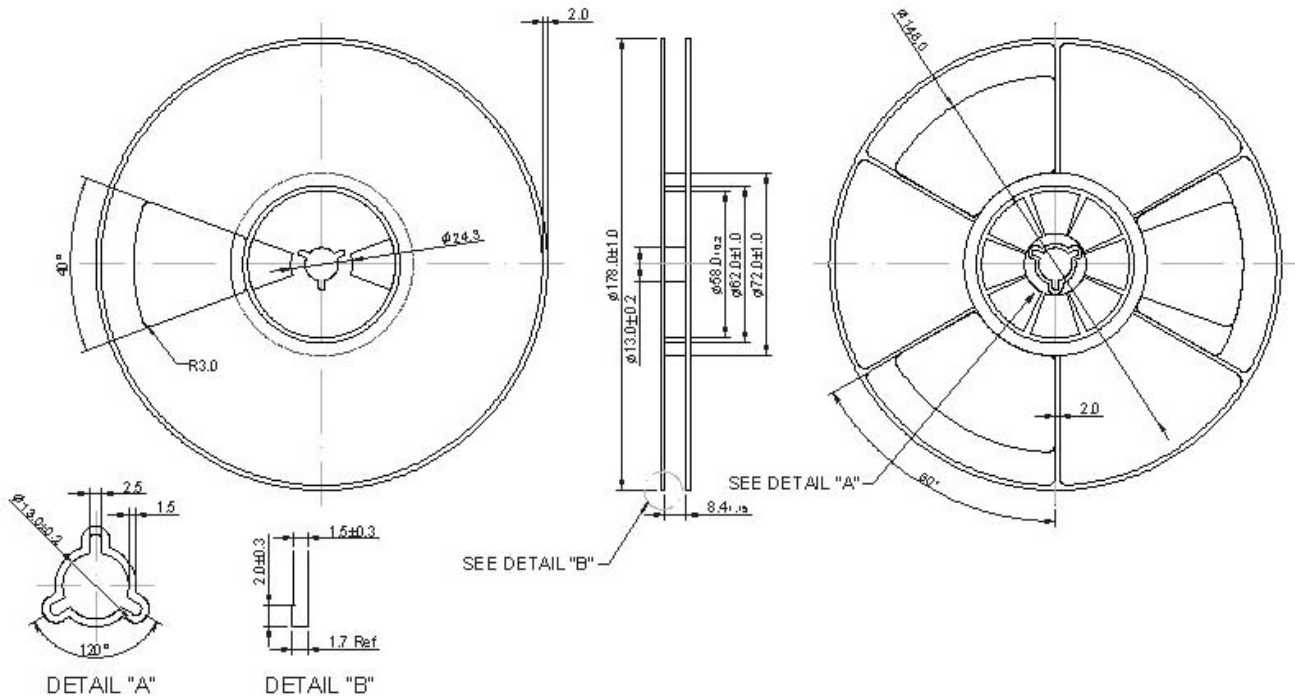
Source & Load Impedance: 50Ω

SAW Filter 942.50MHz
Part No: MP05870

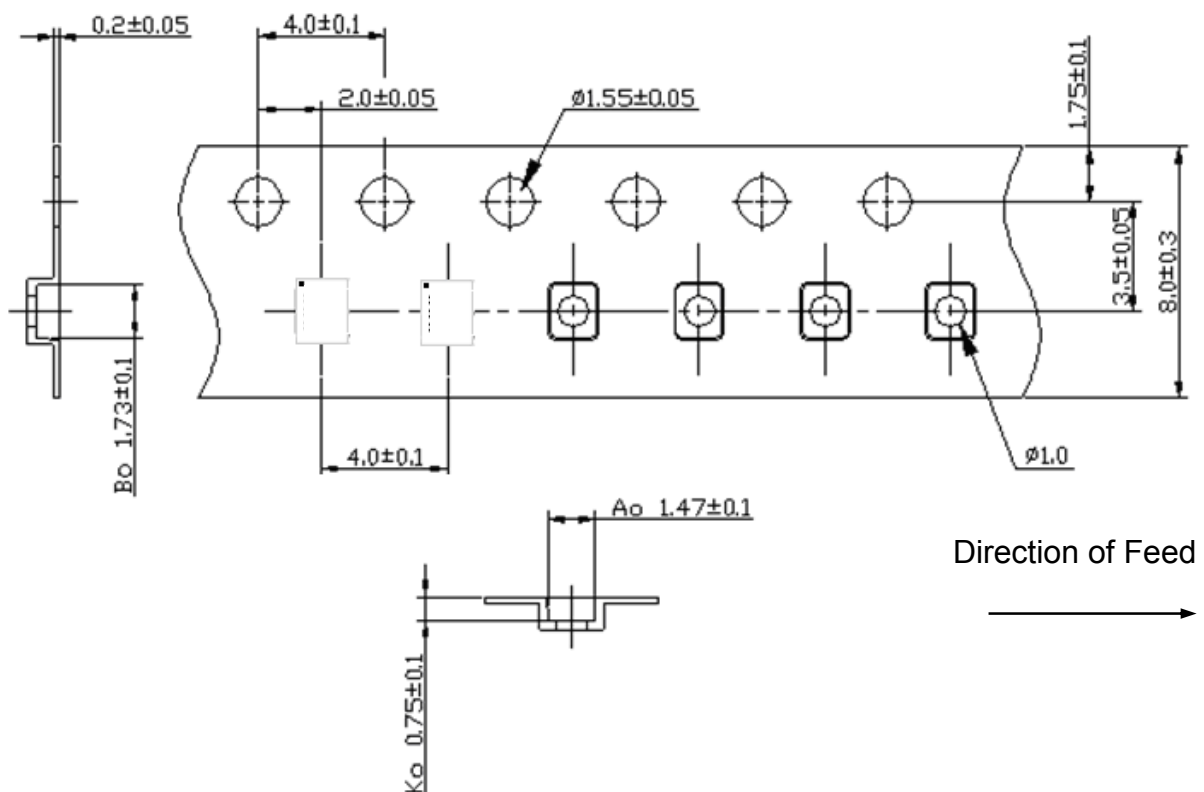
Model: TA1726A
Rev No: 1

F. PACKING:

1. Reel Dimension (Please refer to Fr-75d10 for packing quantity)



2. Tape Dimension



SAW Filter 942.50MHz
Part No: MP05870

Model: TA1726A
Rev No: 1

G. RECOMMENDED REFLOW PROFILE:

