

SAW Filter 237.30MHz

Model: TB1094A

Part No: MP05886

Rev No: 1

A. MAXIMUM RATING:

Electrostatic Sensitive Device

1. Operating temperature range: -30°C to 85°C
2. Storage temperature range: -40°C to 85°C
3. Input Power Level: 10 dBm
4. Maximum DC Voltage: 10V

B. CHARACTERISTICS:

Item	Unit	Min.	Typ.	Max.
Center frequency Fc	MHz	-	237.3	-
Insertion Loss IL	dB	-	12.8	14.0
1dB Band Width	MHz	20	22	-
40dB Band Width	MHz	-	34	40
Passband Ripple Fc ± 9.5MHz	dB	-	0.6	1.0
Absolute group Delay	us	-	0.45	-
Group Delay variation Fc ± 9.5MHz	ns	-	25	-
Attenuation (Reference level from minimum Insertion loss)				
DC ~ 180MHz	dB	45	58	-
180MHz ~ 197.3MHz	dB	40	55	-
197.3MHz ~ 217.3MHz	dB	35	45	-
257.3MHz ~ 277.3MHz	dB	35	45	-
277.3MHz ~ 320MHz	dB	40	55	-
320MHz ~ 435MHz	dB	40	67	-
435MHz ~ 505MHz	dB	35	60	-
505MHz ~ 1000MHz	dB	40	60	-
Temperature Coefficient	ppm/°C	-	-23	-
Source Impedance	Ohm	-	50	-
Load Impedance	Ohm	-	50	-

SAW Filter 237.30MHz
Part No: MP05886

Model: TB1094A
Rev No: 1

C. FREQUENCY CHARACTERISTICS:

1. Narrow band Response

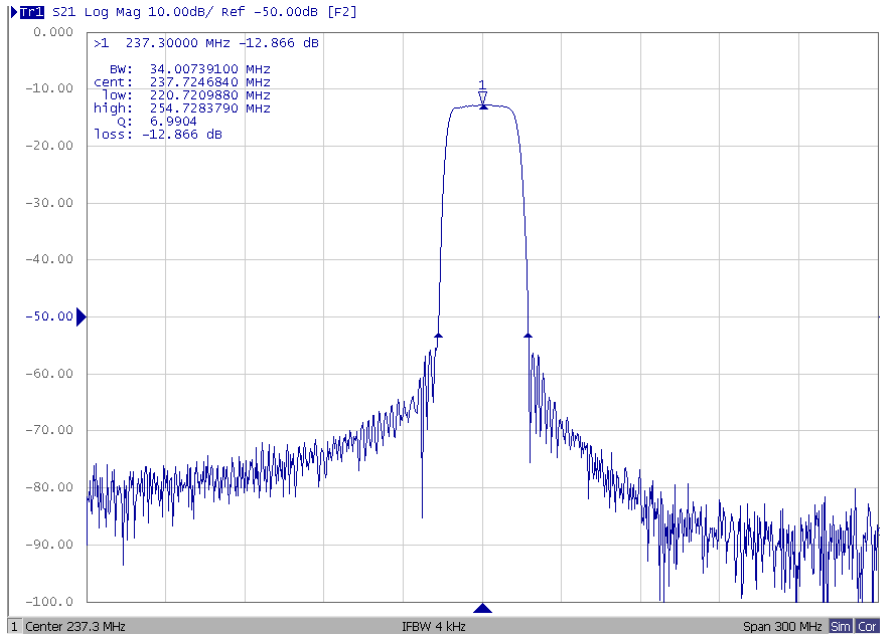


Fig. 1. Horizontal: 30MHz / Div, Vertical: 10Db / Div

2. Pass band Response and Group Delay Response

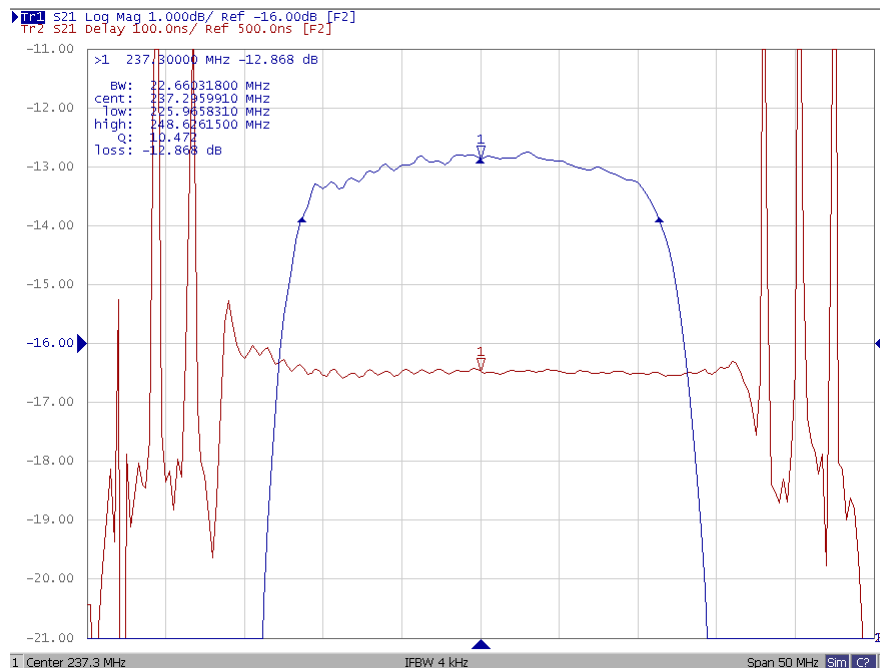


Fig. 2. Horizontal: 5MHz / Div, Vertical: 1dB/Div, Vertical: 100ns / Div

SAW Filter 237.30MHz
Part No: MP05886

Model: TB1094A
Rev No: 1

3. Wide band Response

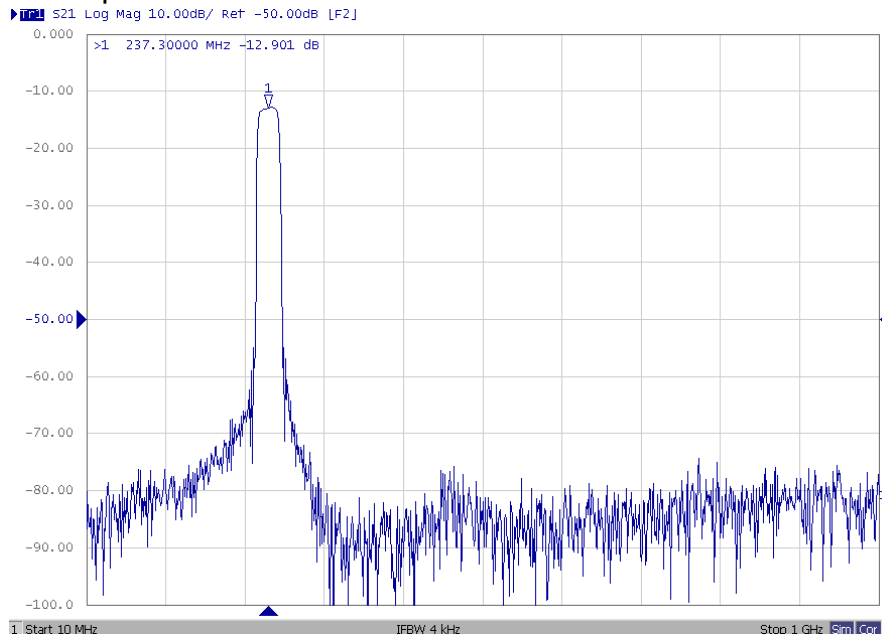
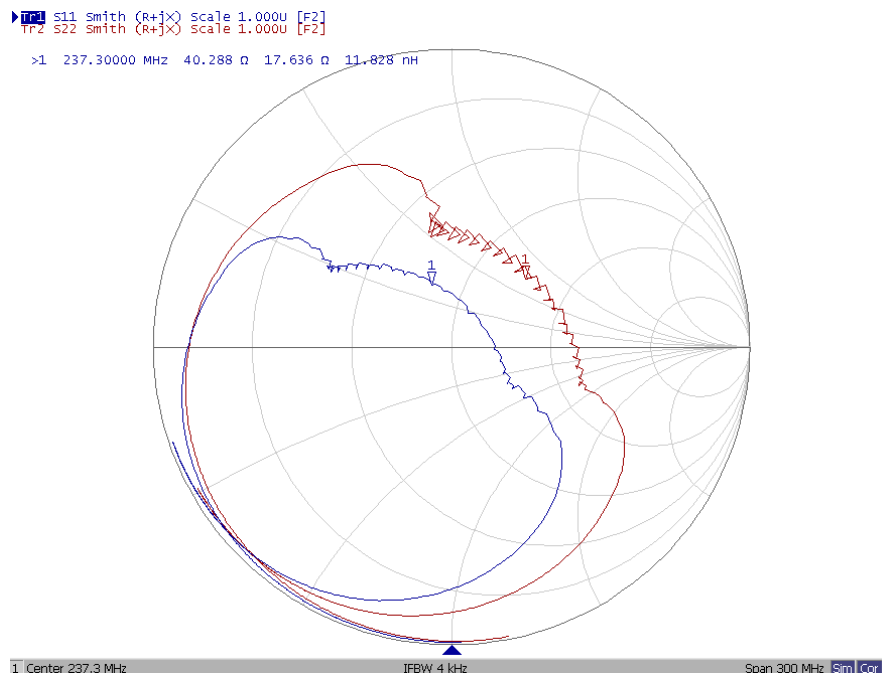


Fig. 3. Horizontal: 100MHz / Div, Vertical: 10dB / Div

4. Smith Chart



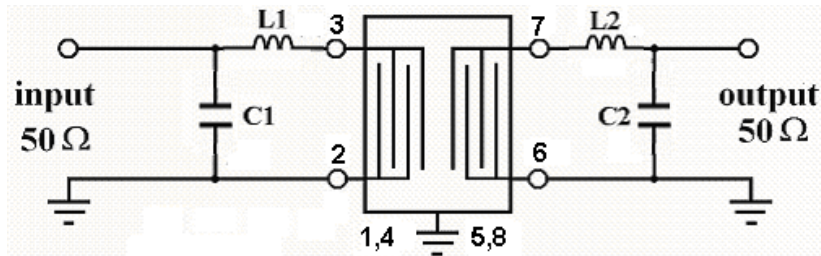
SAW Filter 237.30MHz

Model: TB1094A

Part No: MP05886

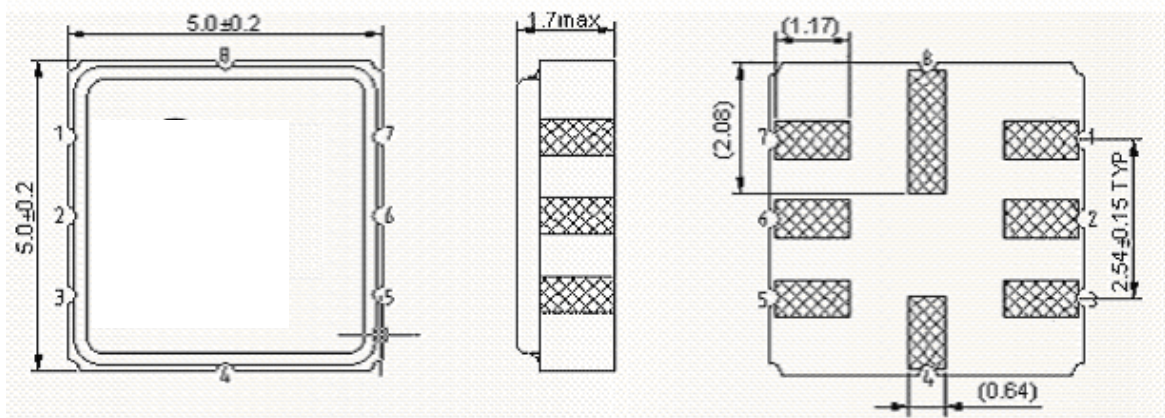
Rev No: 1

D. MATCHING CIRCUIT:



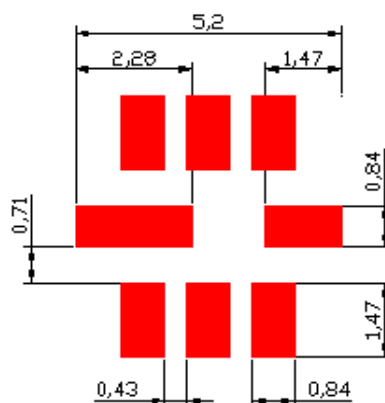
L1 = 68nH L2 = 68nH C1 = 24pF C2 = 18pF

E. OUTLINE DRAWING:



- 3: Input
 - 2: Input ground
 - 7: Output
 - 6: Output ground
 - 1, 4, 5, 8: Ground
- Unit: mm

F. PCB FOOTPRINT:

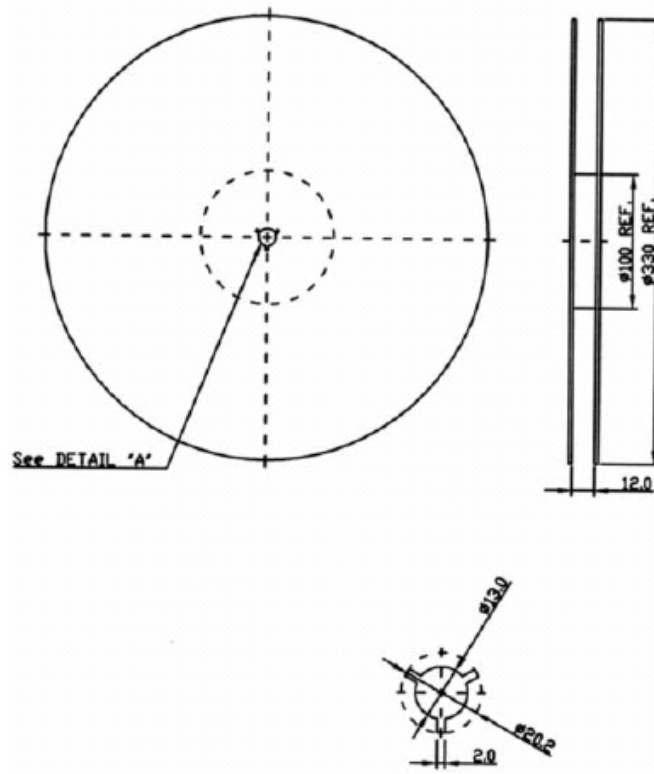


SAW Filter 237.30MHz
Part No: MP05886

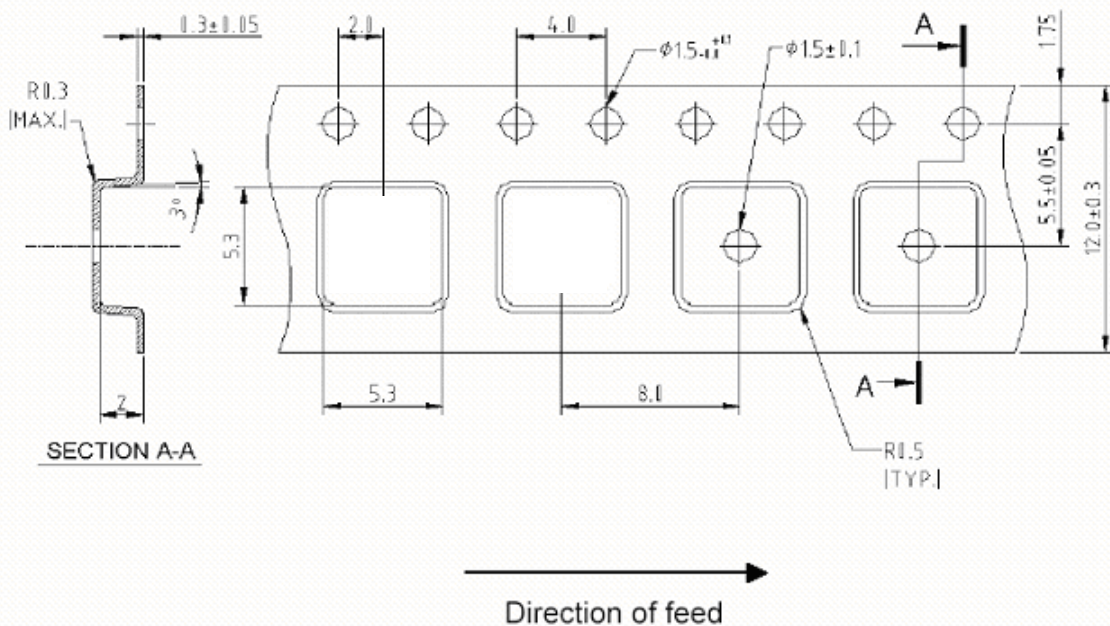
Model: TB1094A
Rev No: 1

G. PACKING:

1. Reel dimension (Please refer to FR-75D10 for packing quantity)



2. Tape Dimension



SAW Filter 237.30MHz
Part No: MP05886

Model: TB1094A
Rev No: 1

H. RECOMMENDED REFLOW PROFILE:

