

**SAW Filter 495.0MHz**  
**Part No: MP05904**

**Model: TB0620A**  
**Rev No: 1**

**A. MAXIMUM RATING:**

Electrostatic Sensitive Device (ESD)

1. Operating Temperature: -25°C to +70°C
2. Storage Temperature: -40°C to +85°C
3. Maximum Input Power: 10dBm

**B. ELECTRICAL CHARACTERISTICS:**

Ambient Temperature: 25°C

Item	Unit	Min.	Typ.	Max.
Center frequency Fc	MHz	-	495	-
Insertion loss at Fc	dB	-	14.5	18
Bandwidth at -1.0dB	MHz	30.0	31.5	-
Bandwidth at -6.0dB	MHz	-	37.4	38.0
Bandwidth at -25.0dB	MHz	-	44.0	45
Amplitude Ripple (Fc ± 15MHz)	dB	-	0.7	1
Group Delay Ripple (Fc ± 15MHz)	nS	-	23	100
Absolute Group delay at Fc	nS	-	307	-
Temp Coefficient	ppm/°C	-	-0.18	-

**SAW Filter 495.0MHz**  
**Part No: MP05904**

**Model: TB0620A**  
**Rev No: 1**

**C. FREQUENCY CHARACTERISTICS:**

1. S21 Response

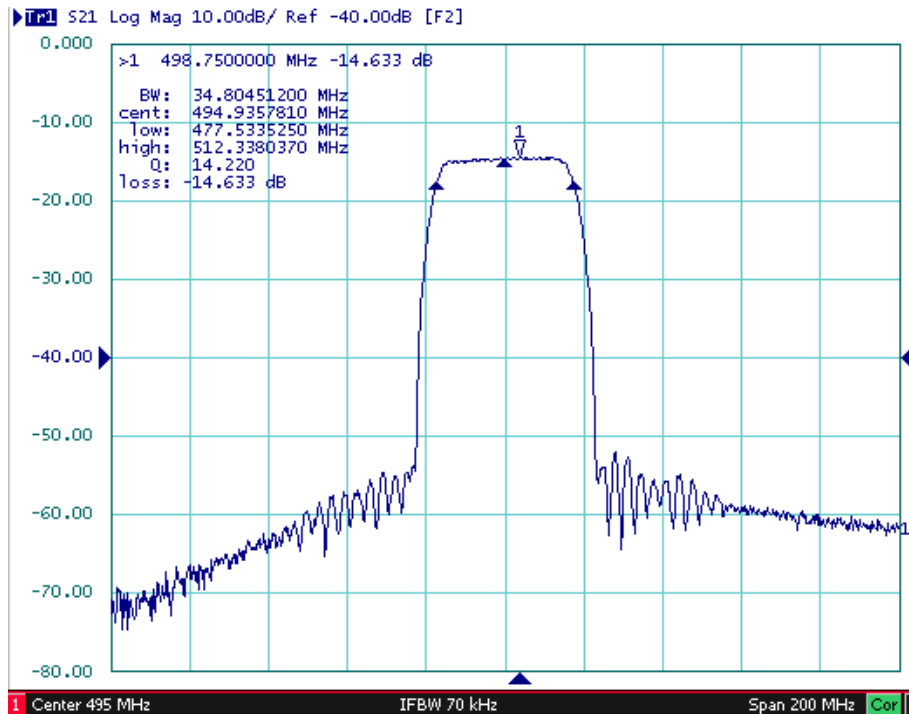


Fig 1. Horizontal: 20MHz / Div, Vertical: 10dB / Div

2. Passband Ripple

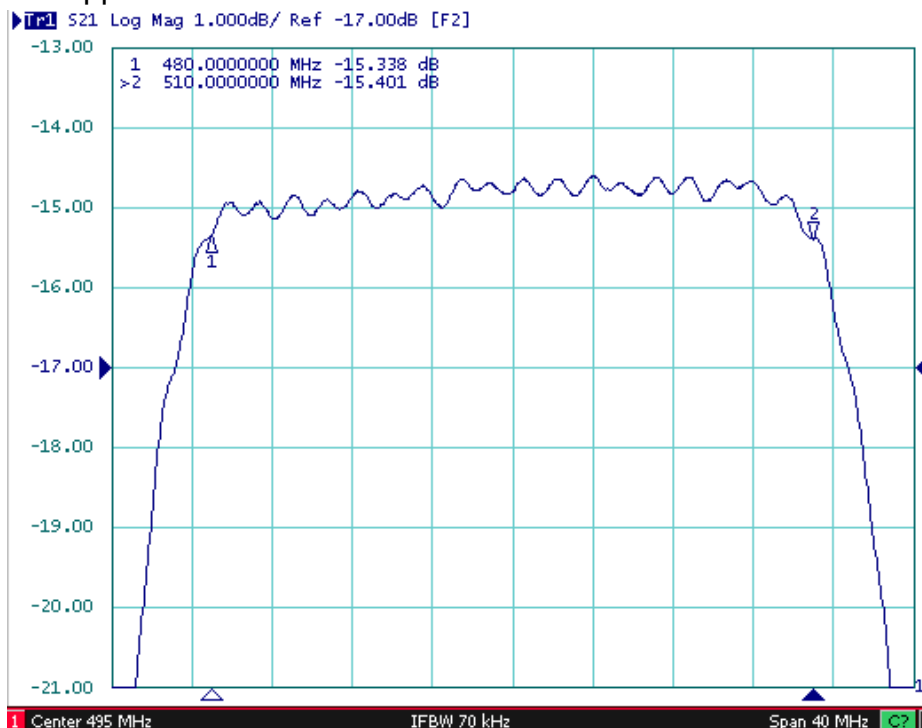


Fig 2. Horizontal: 4MHz / Div, Vertical: 1dB / Div

**SAW Filter 495.0MHz**  
**Part No: MP05904**

**Model: TB0620A**  
**Rev No: 1**

3. Group Delay Ripple

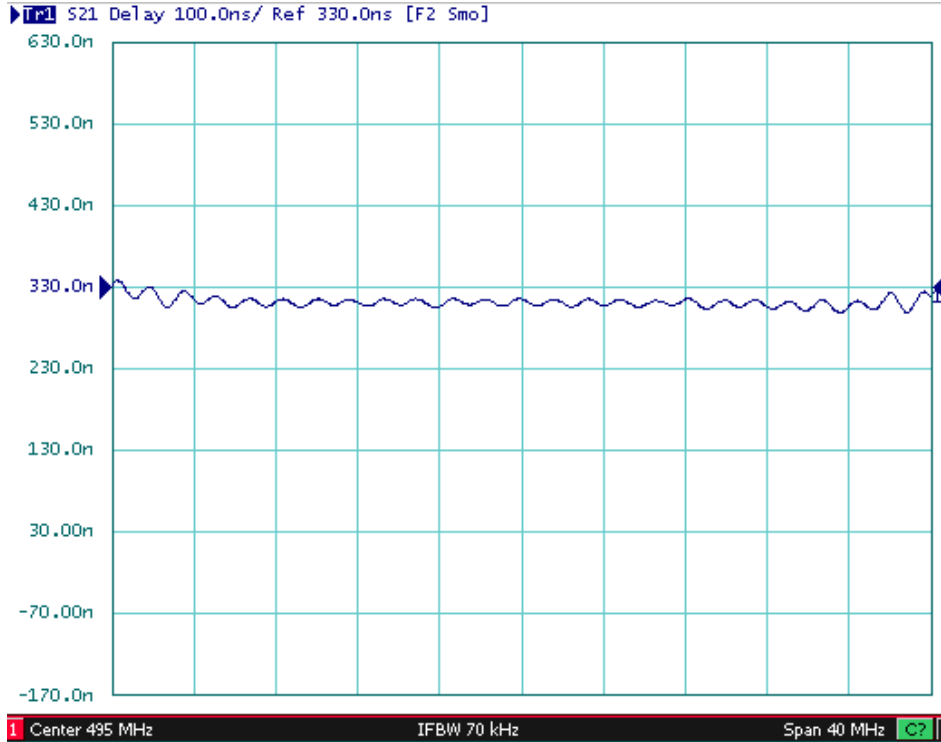
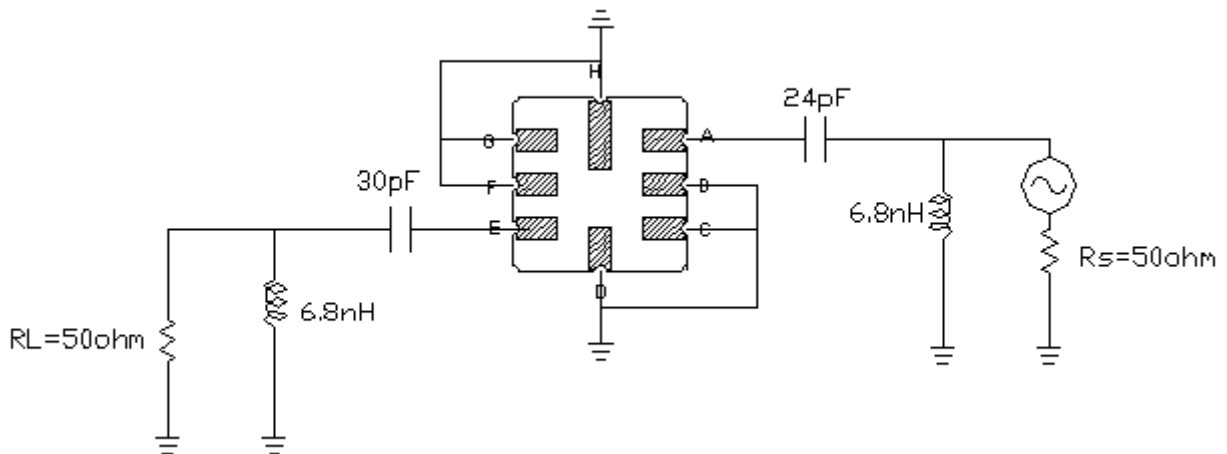


Fig. 3. Horizontal: 4MHz / Div, Vertical: 100nS / Div

**D. MEASUREMENT CIRCUIT:**

Single ended input 50 ohm to Single ended Output 50 ohm

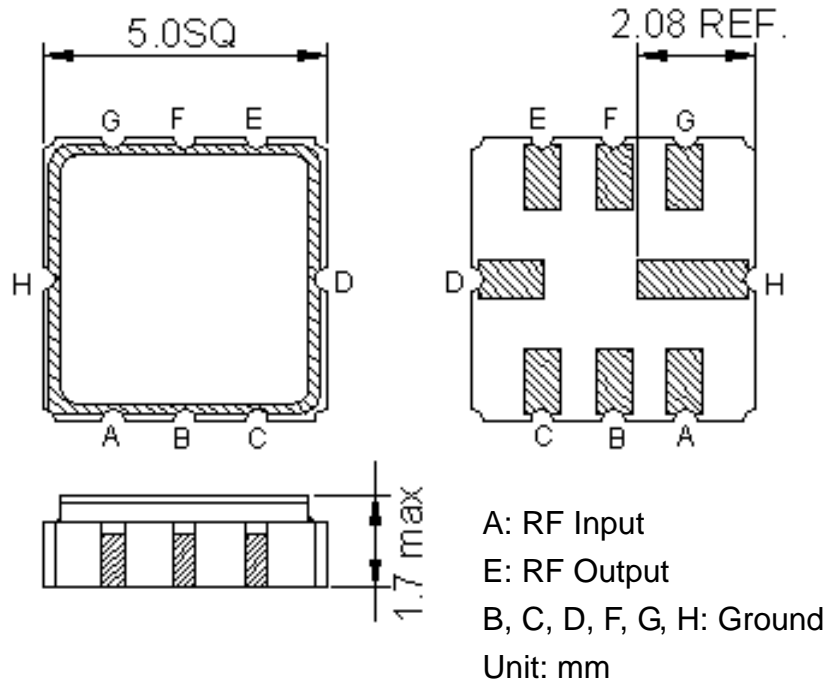


Note: The matching structure will change according to different test fixture.

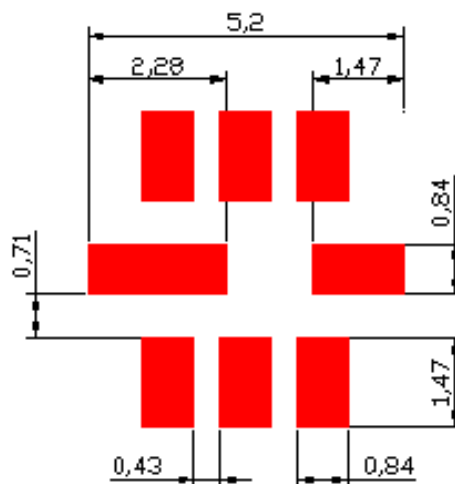
**SAW Filter 495.0MHz**  
**Part No: MP05904**

**Model: TB0620A**  
**Rev No: 1**

**E. OUTLINE DRAWING:**



**F. PCB FOOTPRINT:**

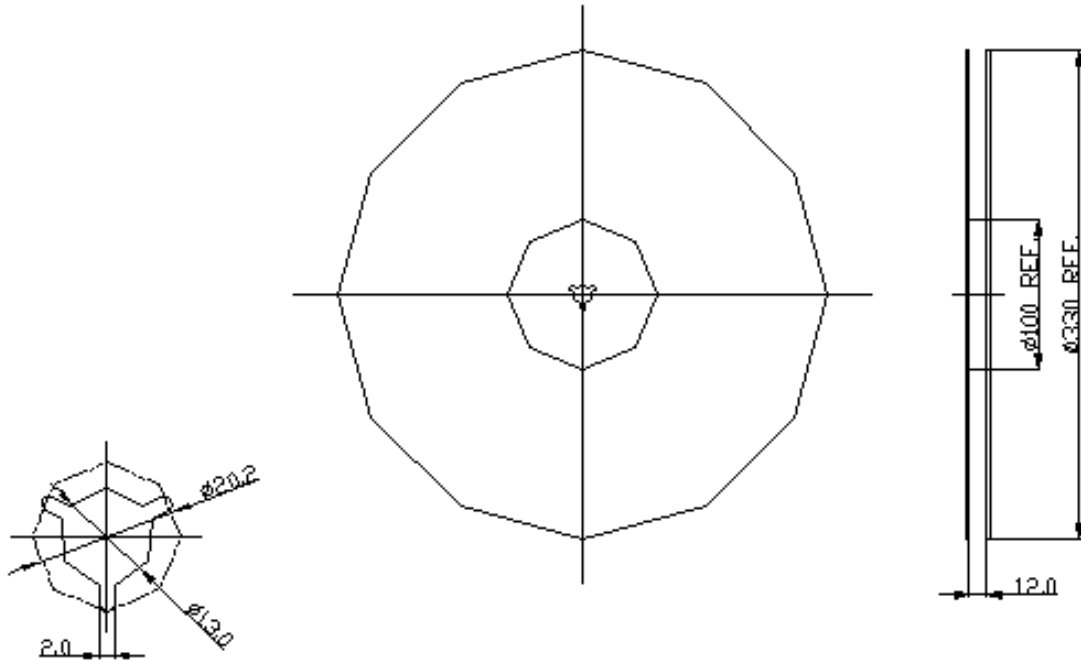


**SAW Filter 495.0MHz**  
**Part No: MP05904**

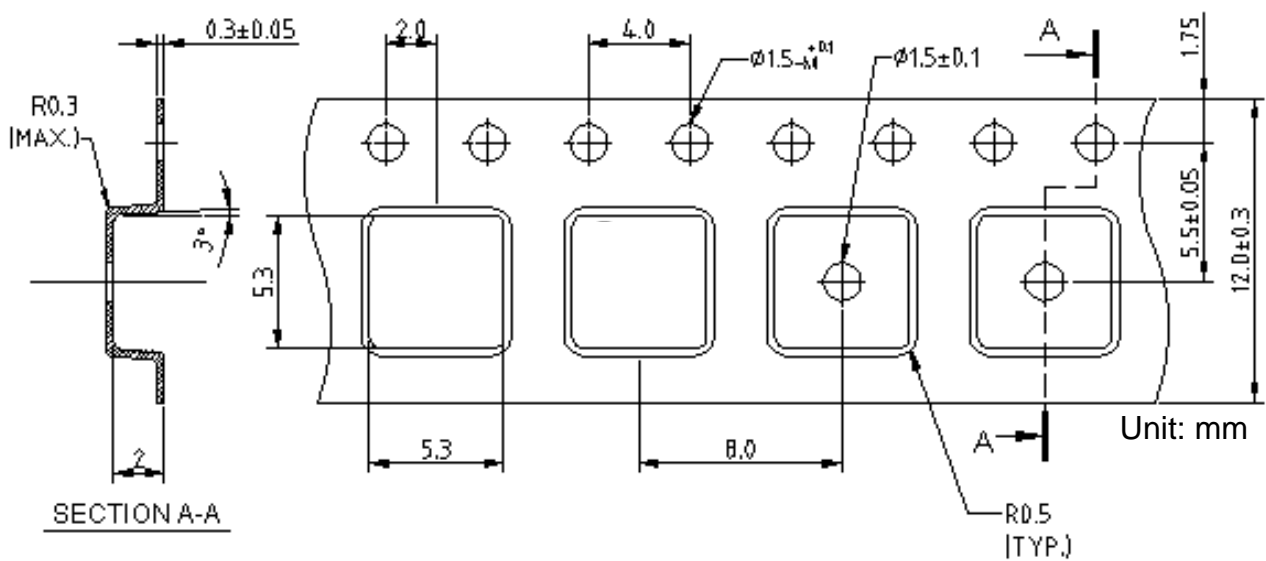
**Model: TB0620A**  
**Rev No: 1**

**G. PACKING:**

1. Reel Dimension (Please Refer To Fr-75d10 for Packing Quantity)



2. Tape Dimension



**SAW Filter 495.0MHz**  
**Part No: MP05904**

**Model: TB0620A**  
**Rev No: 1**

**H. RECOMMENDED REFLOW PROFILE:**

