

SAW Filter 528.30MHz

Model: TB1095A

Part No: MP05905

Rev No: 1

A. MAXIMUM RATING:

Electrostatic Sensitive Device

1. Operating temperature range: -30°C to 85°C
2. Storage temperature range: -40°C to 85°C
3. Input Power Level: 10 dBm
4. Maximum DC Voltage: 10V

B. CHARACTERISTICS:

Item	Unit	Min.	Typ.	Max.
Center frequency Fc	MHz	-	528.3	-
Insertion Loss IL	dB	-	17.7	18.5
1dB Band Width	MHz	20	22	-
40dB Band Width	MHz	-	33	38
Passband Ripple Fc ± 9.5MHz	dB	-	0.4	1.0
Absolute group Delay	us	-	0.51	-
Group Delay variation Fc ± 9.5MHz	ns	-	30	-
Attenuation (Reference level from minimum Insertion loss)				
DC ~ 250MHz	dB	45	60	-
250 ~ 488.3MHz	dB	40	49	-
488.3MHz ~ 510.3MHz	dB	35	43	-
546.3MHz ~ 568.3MHz	dB	35	43	-
568.3MHz ~ 609MHz	dB	40	50	-
609MHz ~ 1000MHz	dB	45	55	-
Temperature Coefficient	ppm/°C	-	-23	-
Source Impedance	Ohm	-	50	-
Load Impedance	Ohm	-	50	-

SAW Filter 528.30MHz
Part No: MP05905

Model: TB1095A
Rev No: 1

C. FREQUENCY CHARACTERISTICS:

1. Narrow band Response:

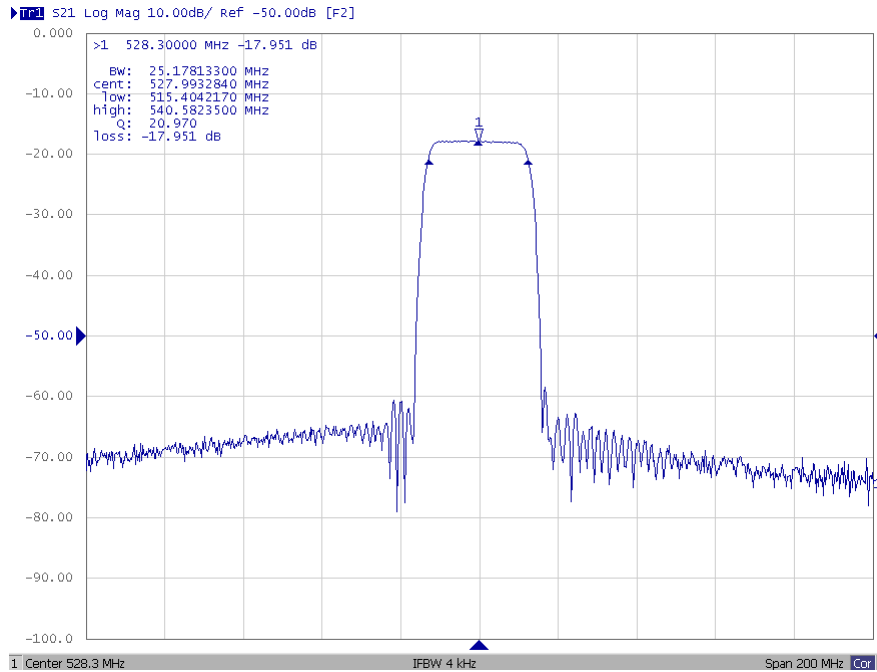


Fig. 1. Horizontal: 20MHz / Div, Vertical: 10dB / Div

2. Pass band Response and Group Delay Response:

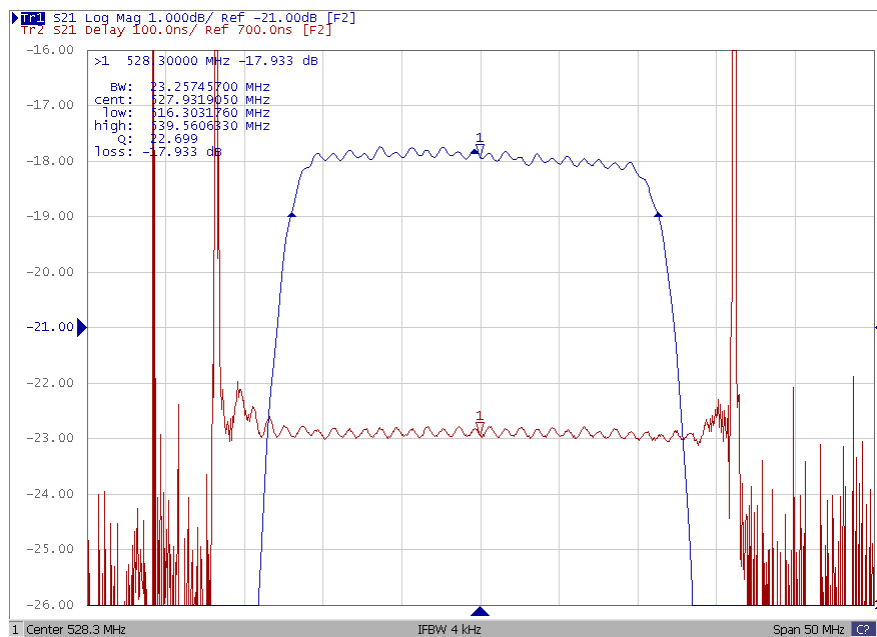


Fig. 2. Horizontal: 5MHz / Div, Vertical: 1dB / Div, Vertical: 100ns / Div

SAW Filter 528.30MHz
Part No: MP05905

Model: TB1095A
Rev No: 1

3. Wide band Response:

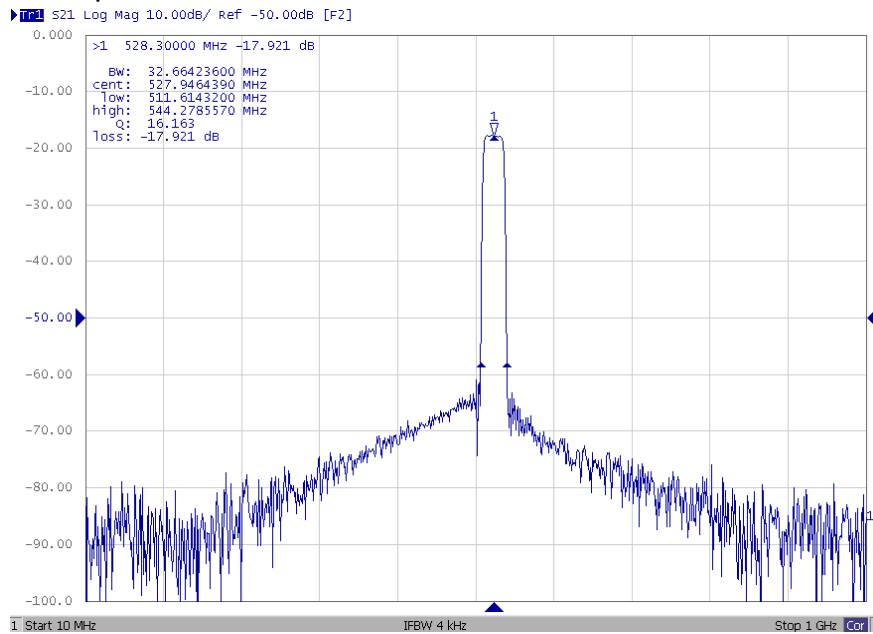
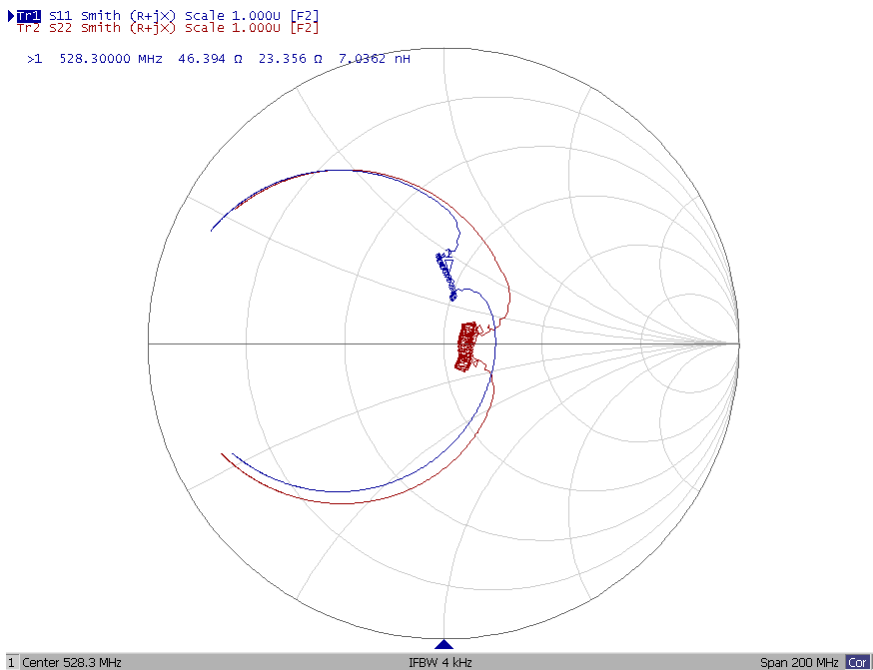


Fig. 3. Horizontal: 100MHz / Div, Vertical: 10dB / Div

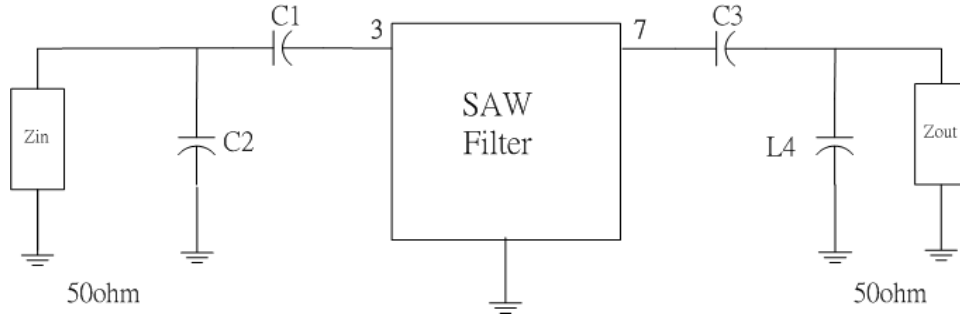
4. Smith Chart



SAW Filter 528.30MHz
Part No: MP05905

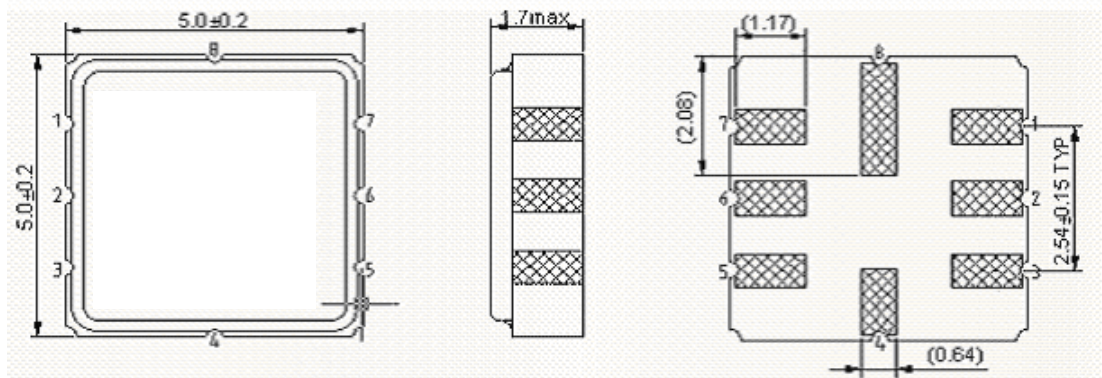
Model: TB1095A
Rev No: 1

D. MATCHING CIRCUIT:



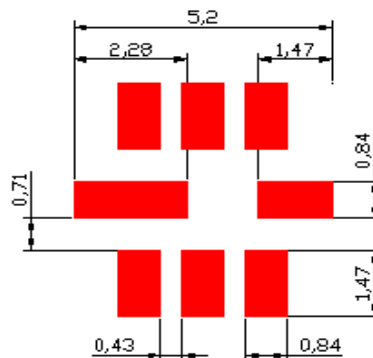
C1 = 5.6pF C2 = 9pF C3 = 5.6pF C4 = 9pF

E. OUTLINE DRAWING:



- 3: Input
 - 2: Input ground
 - 7: Output
 - 6: Output ground
 - 1, 4, 5, 8: Ground
- Unit: mm

F. PCB FOOTPRINT:

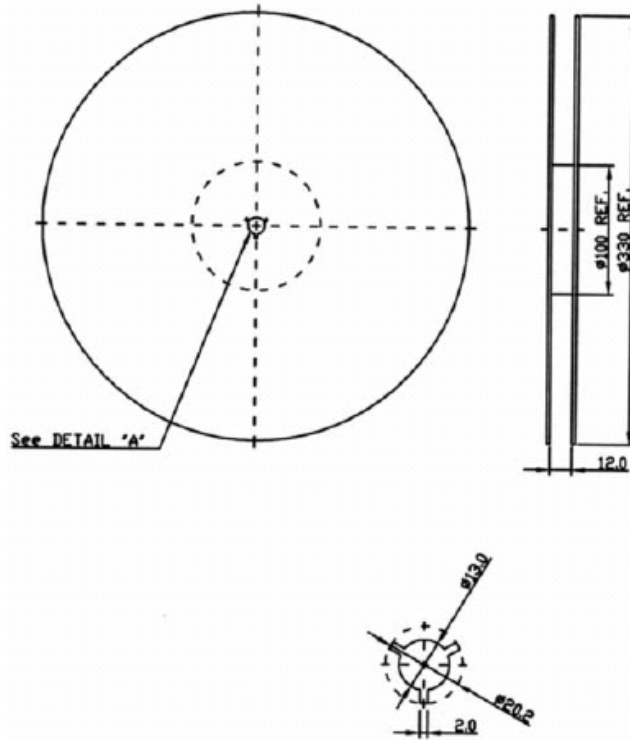


SAW Filter 528.30MHz
Part No: MP05905

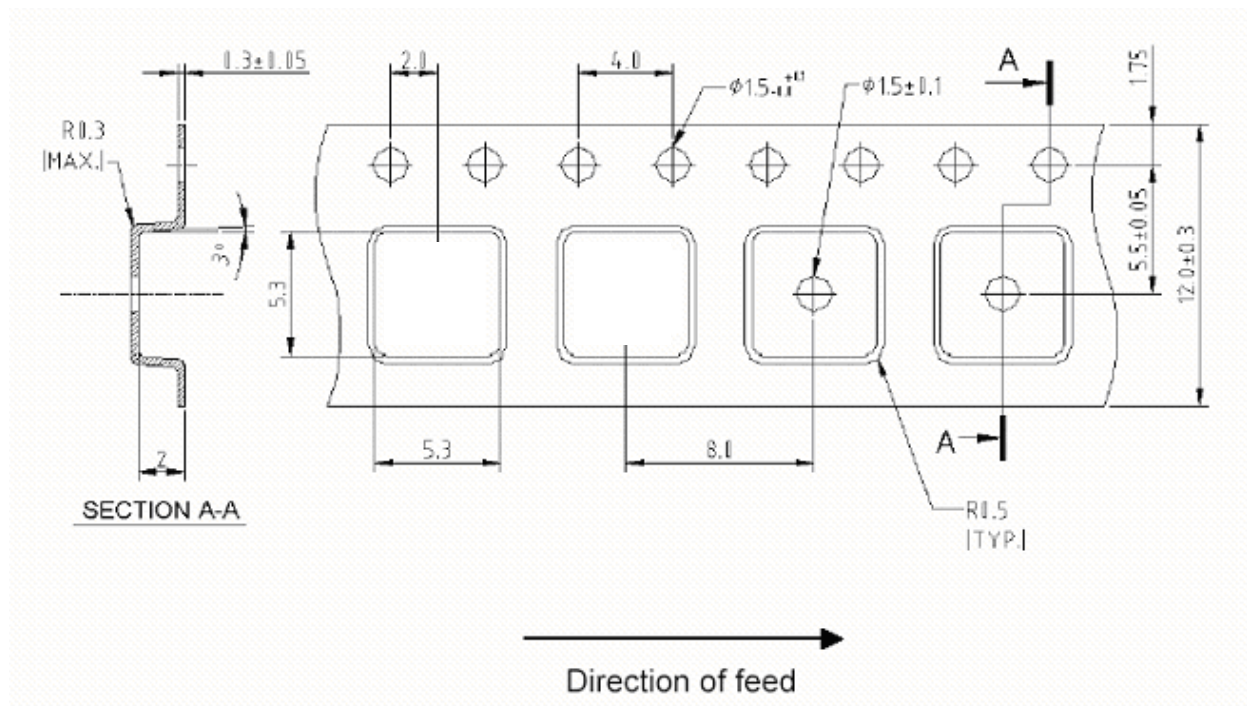
Model: TB1095A
Rev No: 1

G. PACKING:

1. Reel Dimension (Please refer to FR-75D10 for packing quantity)



2. Tape Dimension



SAW Filter 528.30MHz
Part No: MP05905

Model: TB1095A
Rev No: 1

H. RECOMMENDED REFLOW PROFILE:

