

SAW Filter 1582.40MHz

Model: TA1658A

Part No: MP05933

Rev No: 1

A. MAXIMUM RATING:

Electrostatic Sensitive Device (ESD)

1. Input Power Level: 15dBm
2. DC Voltage: 3V
3. Operating Temperature: -40°C to +85°C
4. Storage Temperature: -40°C to +85°C

B. ELECTRICAL CHARACTERISTICS:

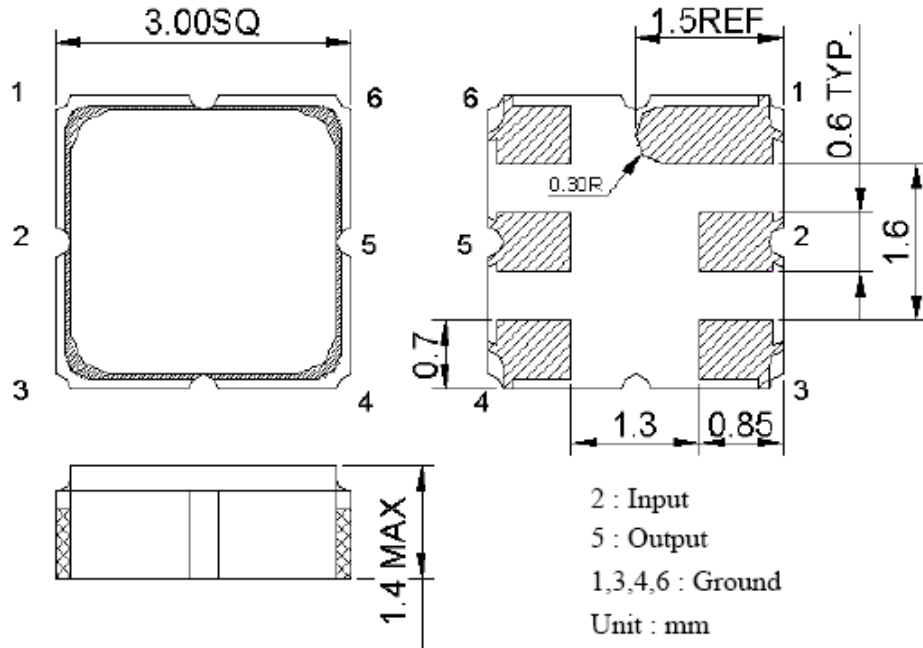
AEC - Q200

Item	Unit	Min.	Typ.	Max.	Note
Center Frequency Fc	MHz	-	1582.4	-	-
Insertion Loss IL					
1574.42 ~ 1576.42MHz			1.2	2.0	
1559.05 ~ 1563.15MHz	dB		1.7	2.2	
1573.37 ~ 1577.47MHz			1.3	2.0	
1597.78 ~ 1605.66MHz			1.5	2.0	
GD Ripple (1597.55 ~ 1605.89MHz)	dB	-	5	12	-
VSWR		-	-	-	
1574.42 ~ 1576.42MHz		-	1.6	2.0	
1559.05 ~ 1563.15MHz	-		1.3	2.0	-
1573.37 ~ 1577.47MHz			1.7	2.0	
1597.78 ~ 1605.66MHz			1.4	2.0	
Attenuation					
10 ~ 824MHz	dB	30	38	-	-
824 ~ 925MHz	dB	30	37	-	-
1427 ~ 1453MHz	dB	40	47	-	-
1710 ~ 1785MHz	dB	37	45	-	-
1850 ~ 1910MHz	dB	38	47	-	
1920 ~ 1980MHz	dB	39	49	-	
2400 ~ 2500MHz	dB	35	45	-	
2500 ~ 2570MHz	dB	37	45	-	
2600 ~ 3000MHz	dB	20	41	-	

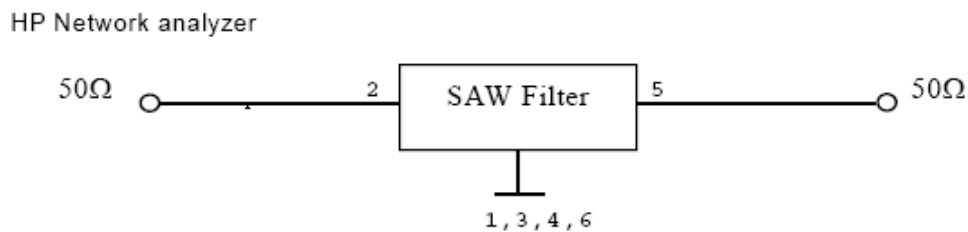
SAW Filter 1582.40MHz
Part No: MP05933

Model: TA1658A
Rev No: 1

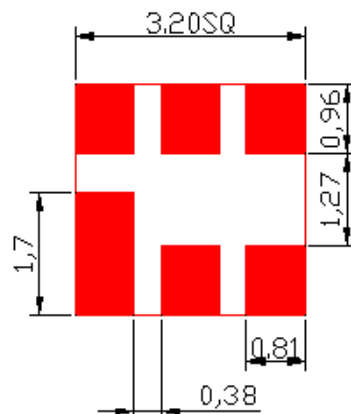
C. OUTLINE DRAWING:



D. MEASUREMENT CIRCUIT:



E. PCB FOOTPRINT:

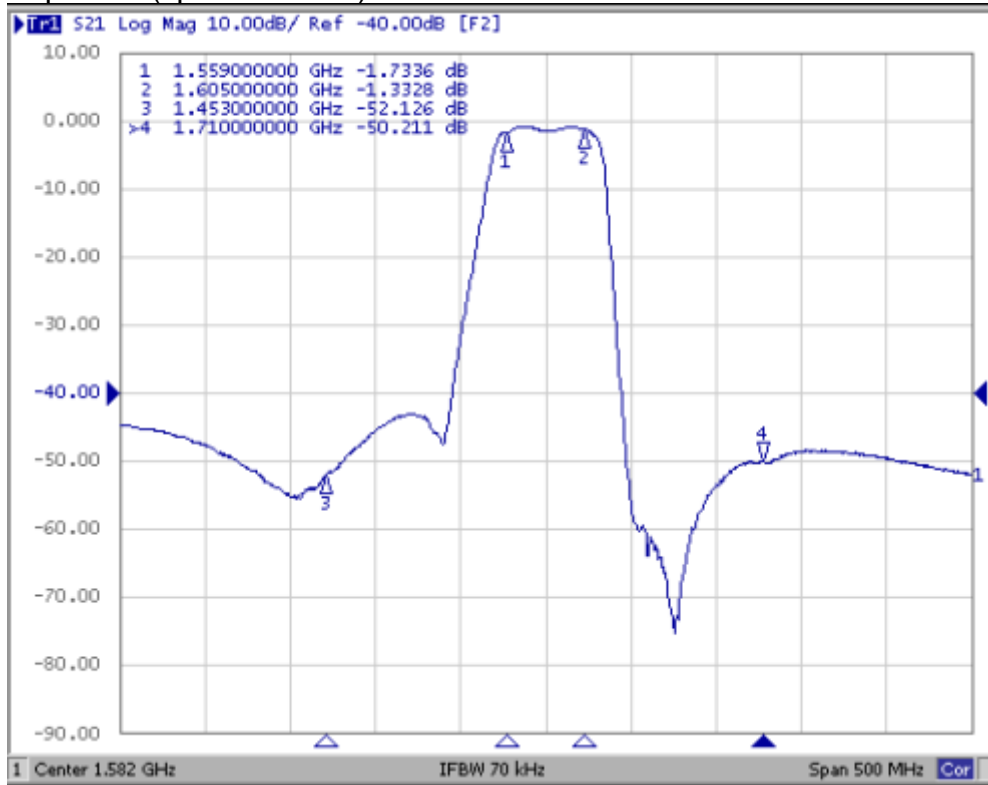


SAW Filter 1582.40MHz
Part No: MP05933

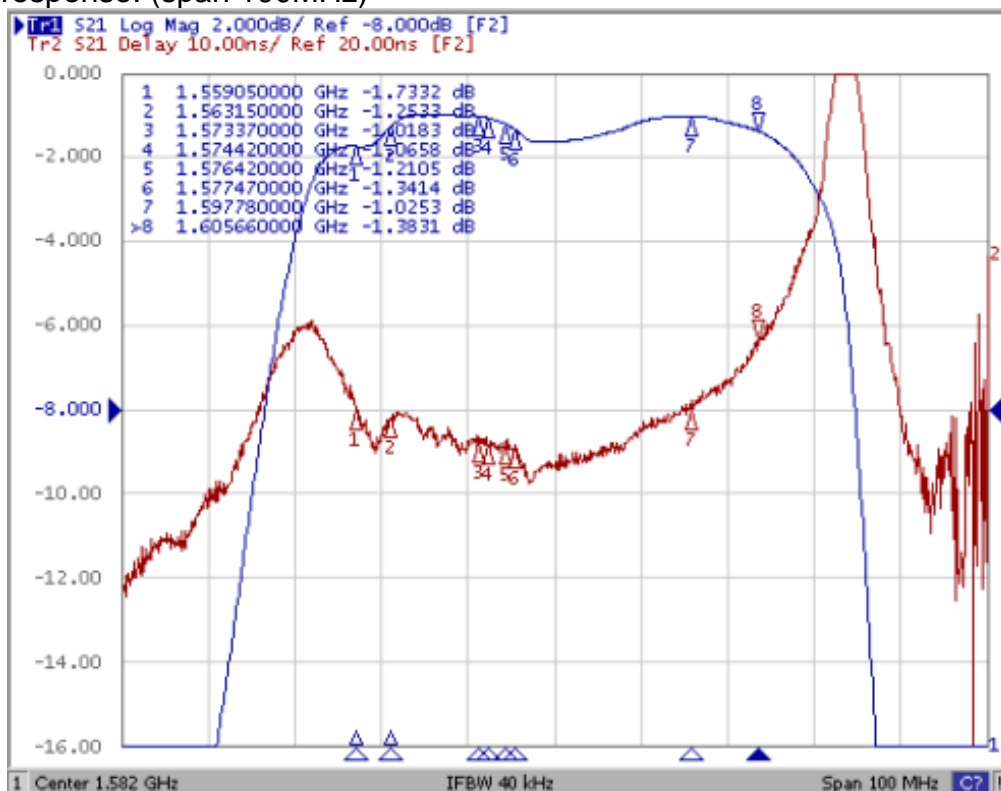
Model: TA1658A
Rev No: 1

F. FREQUENCY CHARACTERISTICS:

1. S21 response: (span 500MHz)



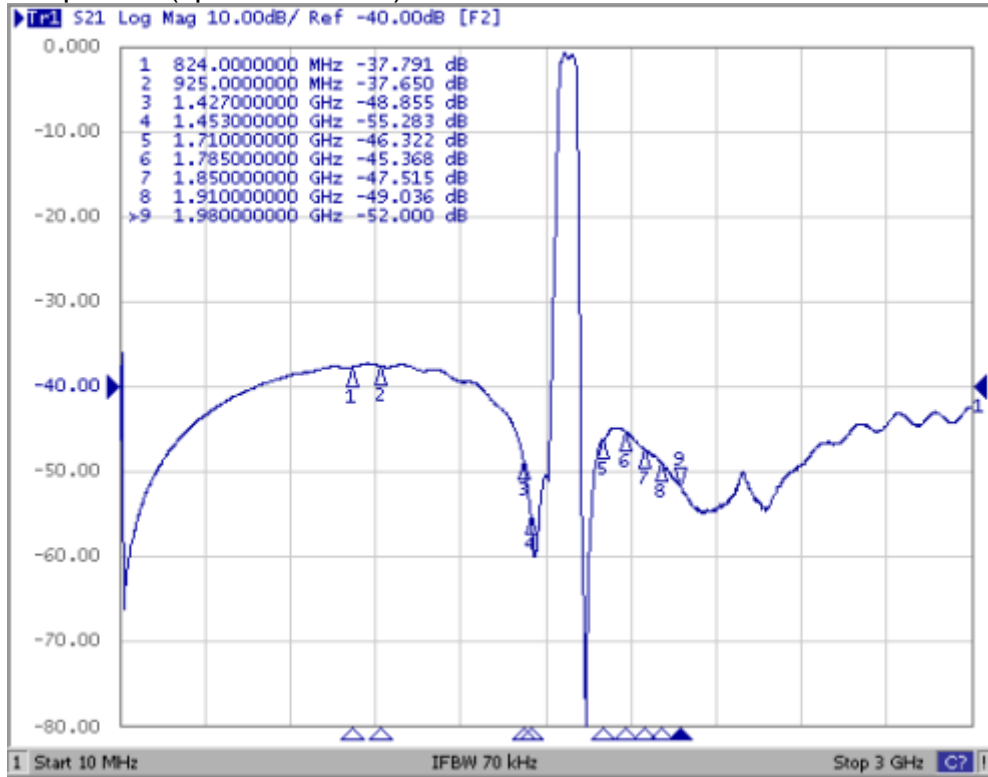
2. S21 response: (span 100MHz)



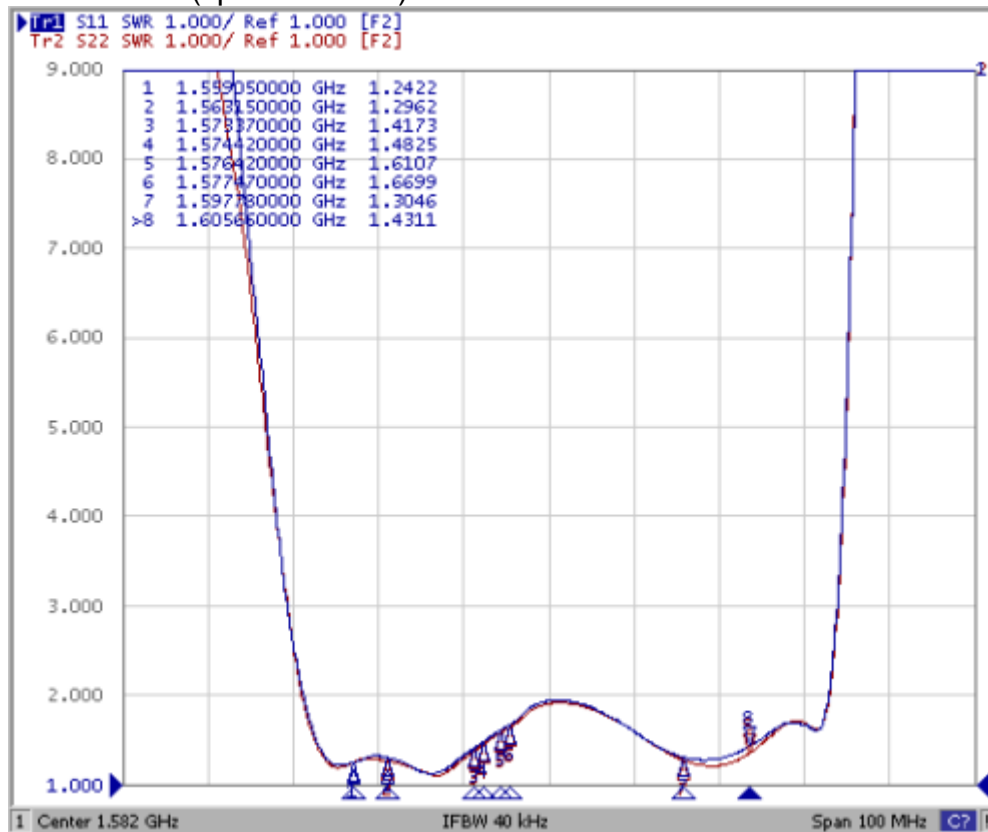
SAW Filter 1582.40MHz
Part No: MP05933

Model: TA1658A
Rev No: 1

3. Sd21 response: (span 3000MHz)



4. S11&S22 VSWR: (span 100MHz)

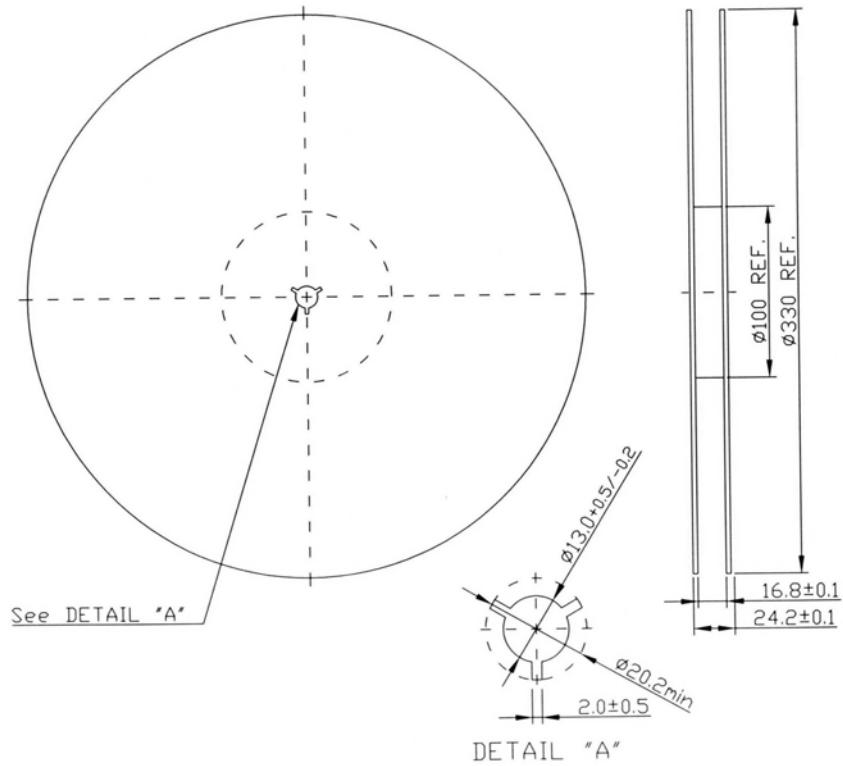


SAW Filter 1582.40MHz
Part No: MP05933

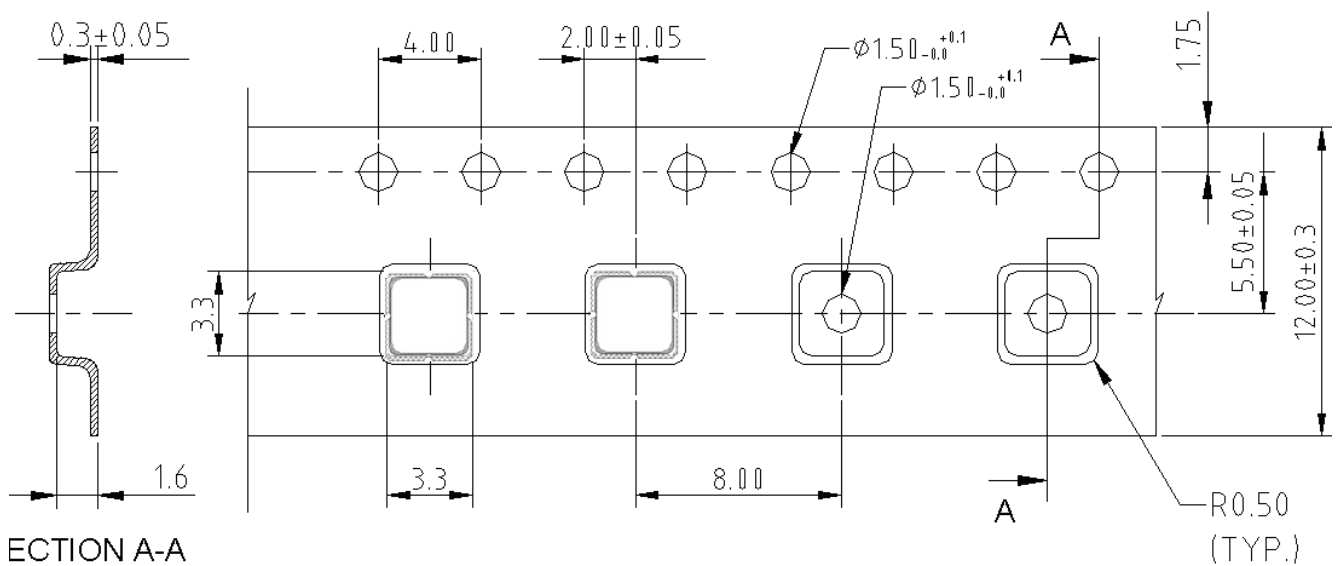
Model: TA1658A
Rev No: 1

G. PACKING:

1. Reel Dimension (Please Refer To Fr-75d10 for Packing Quantity)



2. Tape Dimension



SAW Filter 1582.40MHz
Part No: MP05933

Model: TA1658A
Rev No: 1

H. RECOMMENDED REFLOW PROFILE:

