

SAW Filter 745.0MHz
Part No: MP05936

Model: TB1115A
Rev No: 1

A. MAXIMUM RATING:

Electrostatic Sensitive Device

1. Operating temperature range: -30°C to 60°C
2. Storage temperature range: -40°C to 85°C
3. Input Power Level: 10dBm
4. Maximum DC Voltage: 10V

B. CHARACTERISTICS:

Item	Unit	Min.	Typ.	Max.
Center frequency Fc	MHz	-	745	-
Insertion Loss IL	dB	-	14.8	15.5
-1dB bandwidth	MHz	66.0	74.5	-
Passband Ripple Fc ± 33MHz	dB	-	0.7	1.2
Group Delay Ripple Fc ± 33MHz	ns	-	40	50
Absolute Group Delay at Fc	ns	-	670	-
Attenuation:(Reference level from Min IL)				
10MHz ~ 604MHz	dB	40	55	-
604MHz ~ 676MHz	dB	40	50	-
676MHz ~ 686MHz	dB	20	50	-
686MHz ~ 698MHz	dB	15	38	-
814MHz ~ 879MHz	dB	33	45	-
879MHz ~ 1089MHz	dB	40	50	-
Temperature Coefficient	ppm/°C	-	-94	-
Source Impedance	Ohm	-	50	-
Load Impedance	Ohm	-	50	-

SAW Filter 745.0MHz
Part No: MP05936

Model: TB1115A
Rev No: 1

C. FREQUENCY CHARACTERISTICS:

1. Narrow band Response: (span 655MHz)

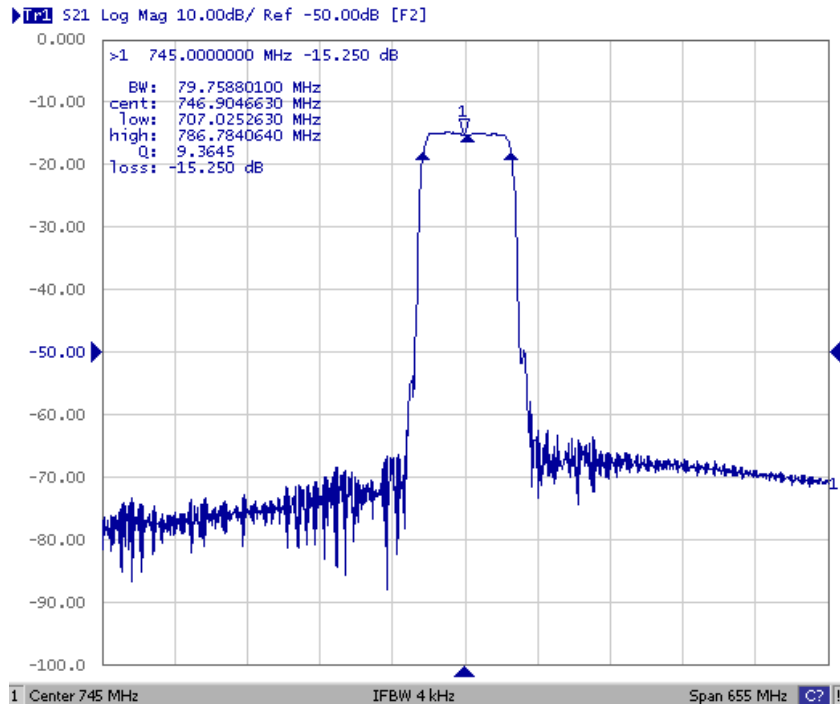


Fig. 1. Horizontal: 65.5MHz / Div, Vertical: 10dB / Div

2. Pass band Response and Group Time Delay response:

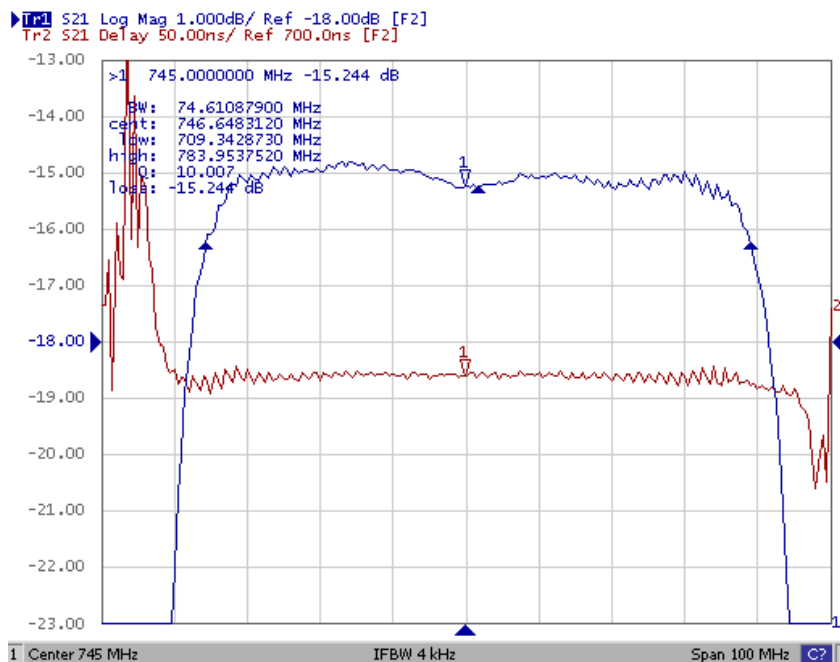
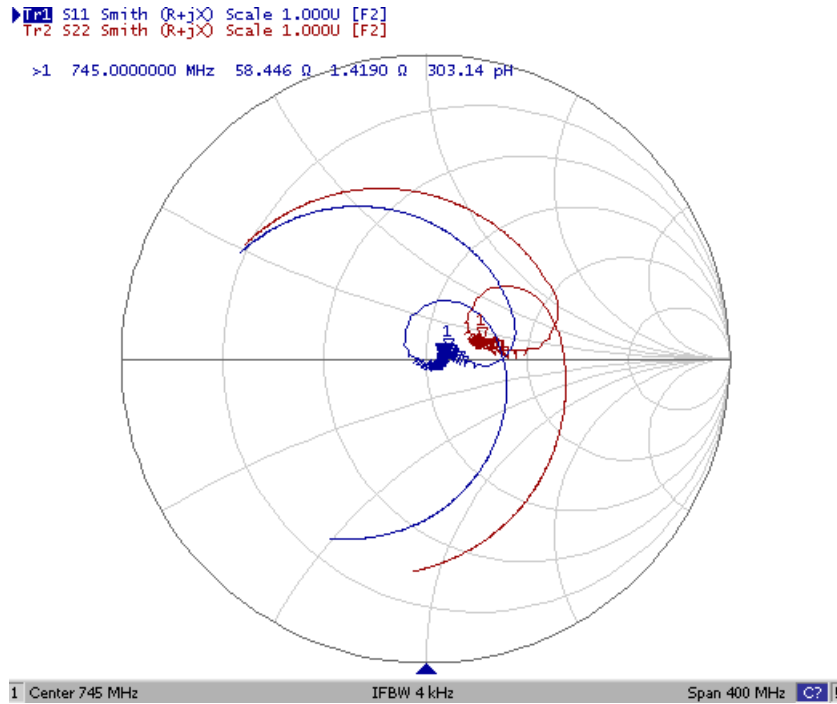


Fig. 2. Horizontal: 10MHz / Div, Vertical: 1dB / Div, Vertical: 50ns / Div

SAW Filter 745.0MHz
Part No: MP05936

Model: TB1115A
Rev No: 1

3. Smith Chart:



4. Wide band Response: (span 1200MHz)

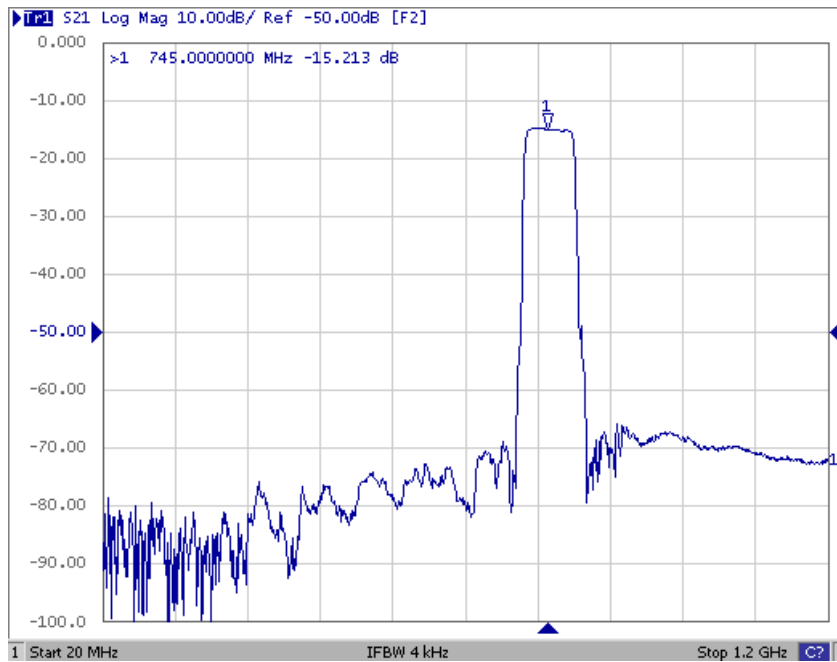
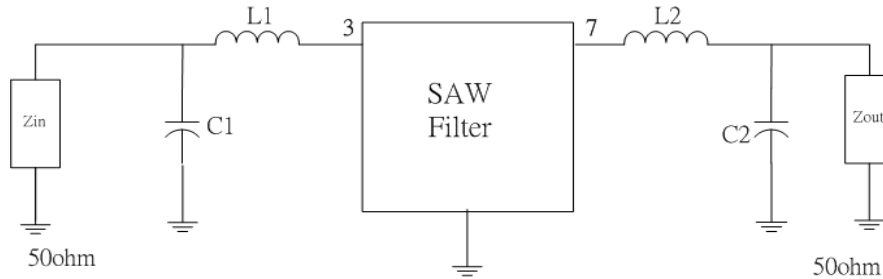


Fig. 4. Horizontal: 120MHz / Div, Vertical: 10dB / Div

SAW Filter 745.0MHz
Part No: MP05936

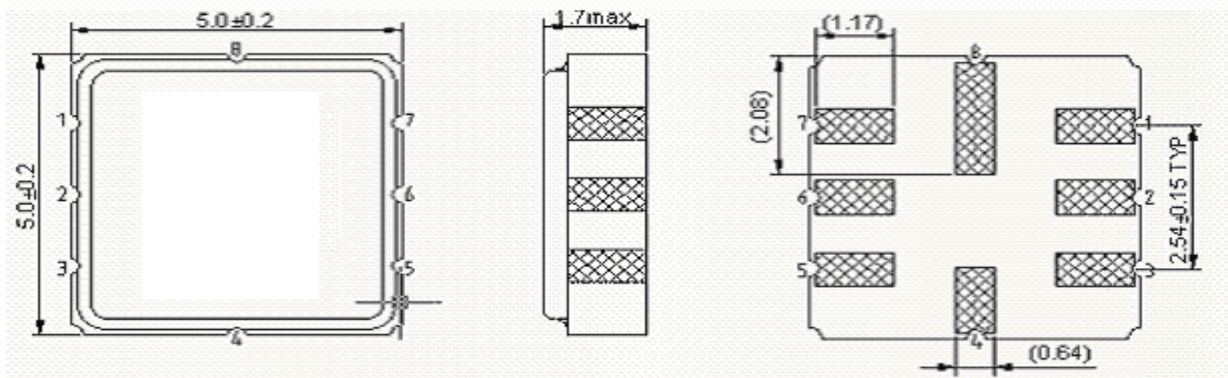
Model: TB1115A
Rev No: 1

D. MATCHING CIRCUIT:



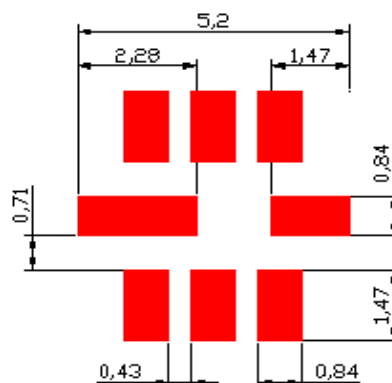
$L1 = 3\text{nH}$ $C1 = 4.7\text{pF}$ $L2 = 5.6\text{nH}$ $C2 = 3.5\text{pF}$

E. OUTLINE DRAWING:



- 3: Input
 - 2: Input ground
 - 7: Output
 - 6: Output ground
 - 1, 4, 5, 8: Ground
- Unit: mm

F. PCB FOOTPRINT:

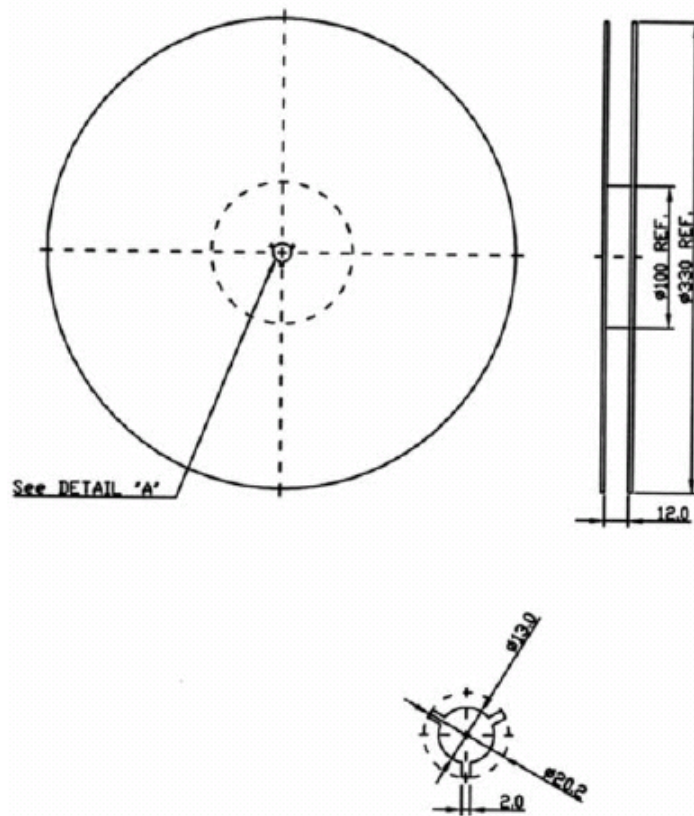


SAW Filter 745.0MHz
Part No: MP05936

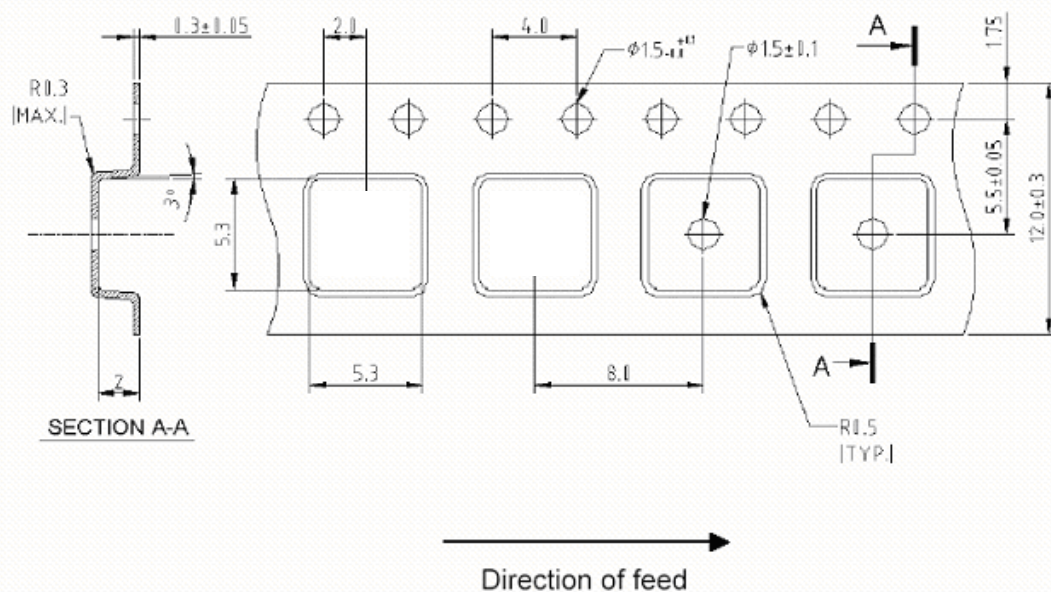
Model: TB1115A
Rev No: 1

G. PACKING:

1. Reel Dimension: (Please refer to FR-75D10 for packing quantity)



2. Tape dimension:



SAW Filter 745.0MHz
Part No: MP05936

Model: TB1115A
Rev No: 1

H. RECOMMENDED REFLOW PROFILE:

