

**SAW Filter 753.50MHz**  
**Part No: MP05937**

**Model: TB0984A**  
**Rev No: 1**

**A. MAXIMUM RATING:**

Electrostatic Sensitive Device

1. Operating temperature range: -30°C to 60°C
2. Storage temperature range: -40°C to 85°C
3. Input Power Level: 10dBm
4. Maximum DC Voltage: 10V

**B. CHARACTERISTICS:**

Item	Unit	Min.	Typ.	Max.
Center frequency Fc	MHz	-	753.5	-
Insertion Loss IL	dB	-	13.5	15.0
-1dB bandwidth	MHz	78	82	-
Passband Ripple Fc ± 37MHz	dB	-	0.7	1.0
Attenuation: (Reference level from Min IL)				
10MHz ~ 600MHz	dB	40	50	
600MHz ~ 680MHz	dB	40	47	
820MHz ~ 895MHz	dB	40	43	
895MHz ~ 1000MHz	dB	40	45	
Temperature Coefficient	ppm/°C	-	-94	-
Source Impedance	Ohm	-	50	-
Load Impedance	Ohm	-	50	-

**SAW Filter 753.50MHz**  
**Part No: MP05937**

**Model: TB0984A**  
**Rev No: 1**

**C. FREQUENCY CHARACTERISTICS:**

1. Narrow band Response (span 400MHz)

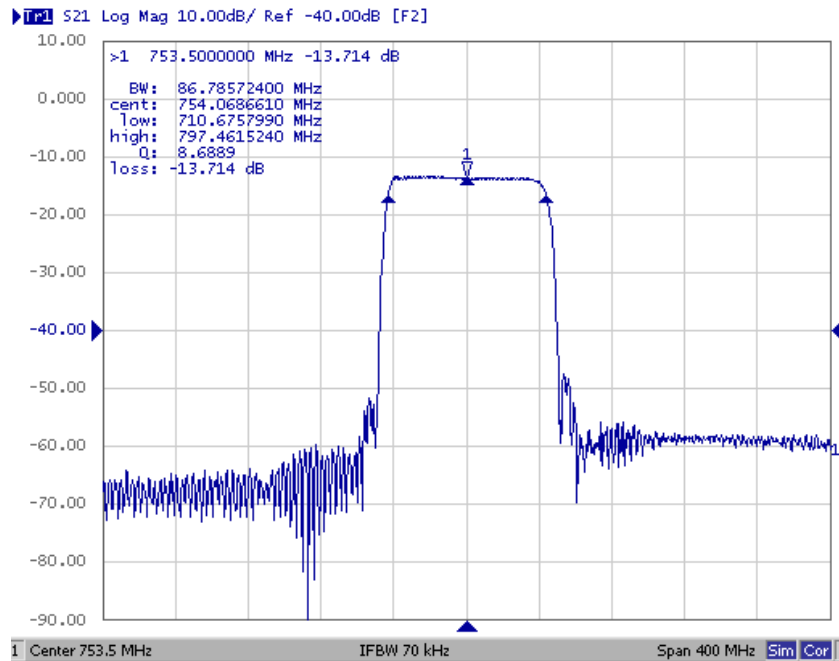


Fig. 1. Horizontal: 40MHz / Div, Vertical: 10dB / Div

2. Pass band Response and Group Time Delay response

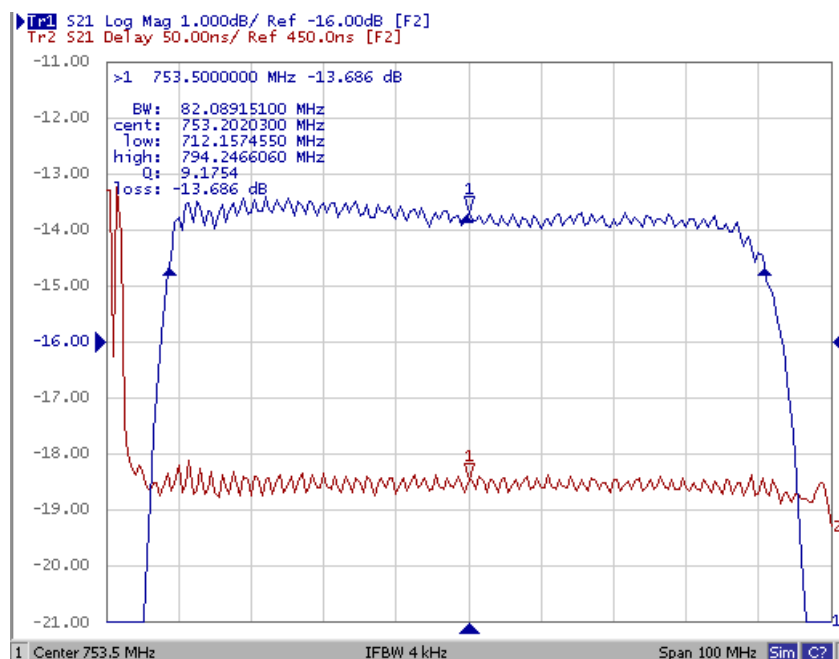
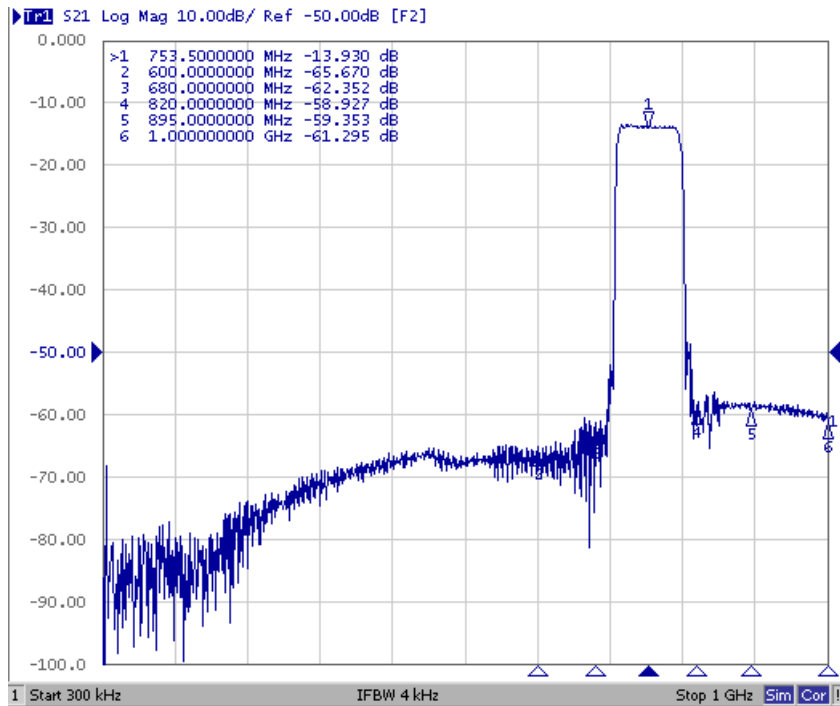


Fig. 2. Horizontal: 16MHz / Div, Vertical: 1dB / Div, Vertical: 100ns / Div

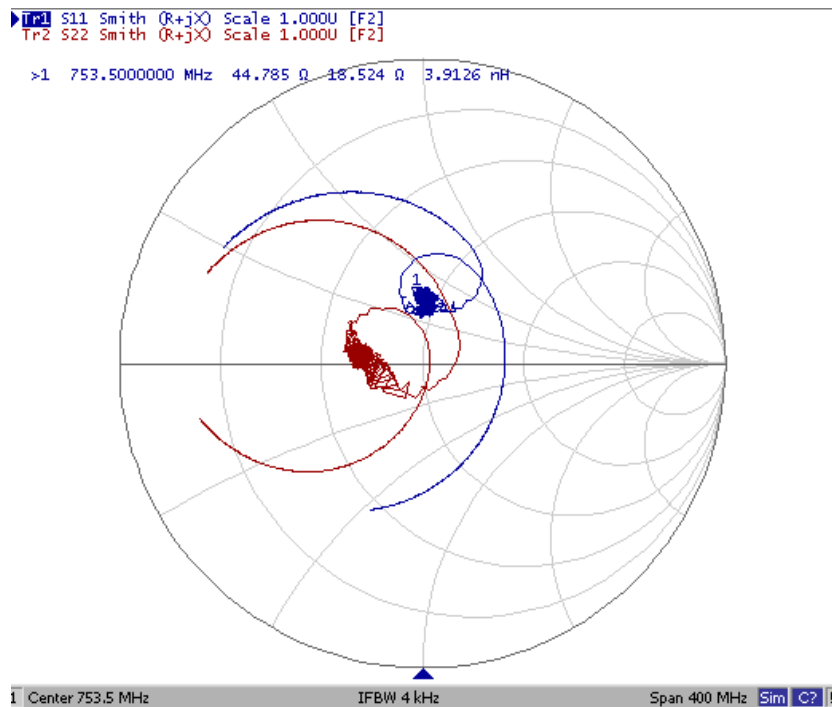
**SAW Filter 753.50MHz**  
**Part No: MP05937**

**Model: TB0984A**  
**Rev No: 1**

### 3. Wide band Response (span 1000MHz)



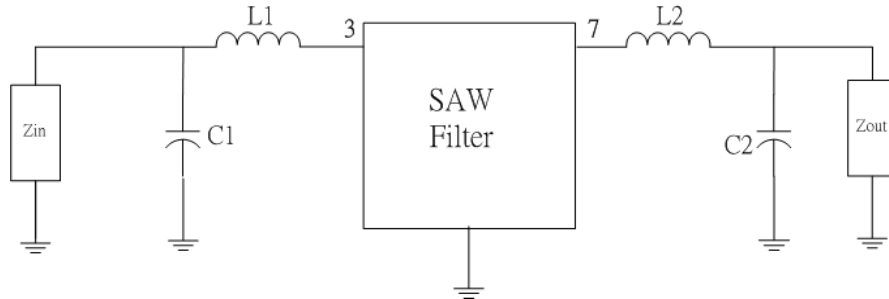
### 4. Smith Chart



**SAW Filter 753.50MHz**  
**Part No: MP05937**

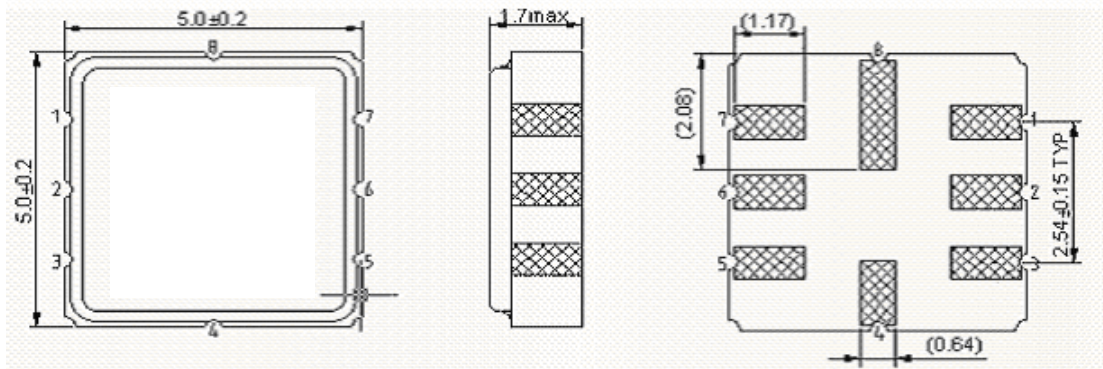
**Model: TB0984A**  
**Rev No: 1**

**D. MATCHING CIRCUIT:**



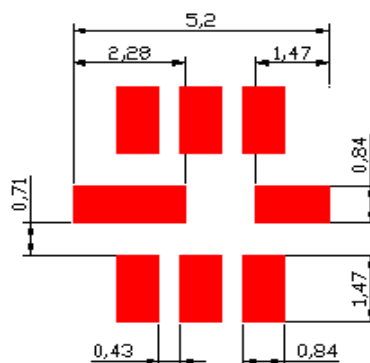
$L1 = 3\text{nH}$   $L2 = 3\text{nH}$   $C1 = 5.6\text{pF}$   $C2 = 6.8\text{pF}$

**E. OUTLINE DRAWING:**



- 3: Input
  - 2: Input ground
  - 7: Output
  - 6: Output ground
  - 1, 4, 5, 8: Ground
- Unit: mm

**F. PCB FOOTPRINT:**

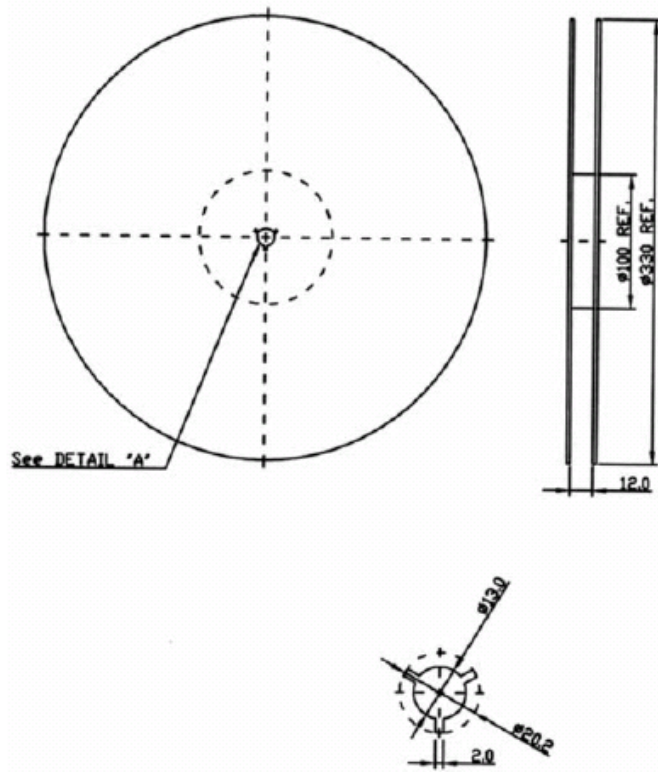


**SAW Filter 753.50MHz**  
**Part No: MP05937**

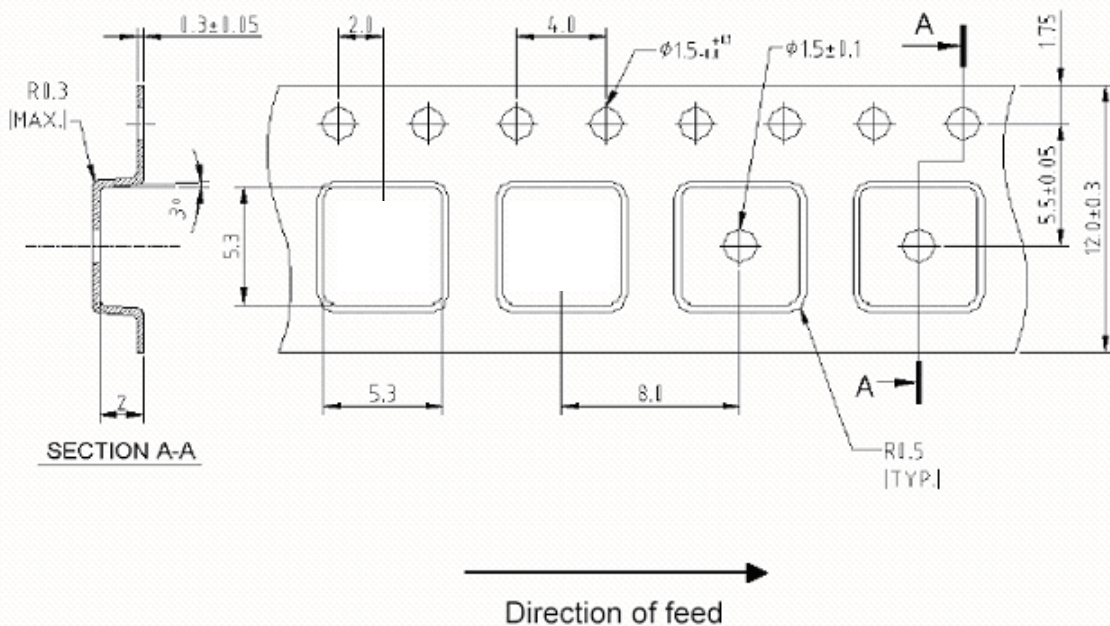
**Model: TB0984A**  
**Rev No: 1**

**G. PACKING:**

1. Reel Dimension



2. Tape Dimension



Direction of feed

**SAW Filter 753.50MHz**  
**Part No: MP05937**

**Model: TB0984A**  
**Rev No: 1**

**H. RECOMMENDED REFLOW PROFILE:**

