

SAW Filter 827.40MHz
Part No: MP05961

Model: TB1022A
Rev No: 1

A. MAXIMUM RATING:

Electrostatic Sensitive Device

1. Operating temperature range: -20°C to 70°C
2. Storage temperature range: -40°C to 85°C
3. Input Power Level: 10 dBm
4. Maximum DC Voltage: 10V

B. CHARACTERISTICS:

Ambient Temperature: 25°C

Characteristics	Value		
	Min.	Typ.	Max.
Center frequency MHz	-	827.4	-
Maximum Insertion loss IL dB	-	12.5	14.0
1dB Band Width MHz	4.5	5.0	-
20dB Band Width MHz	-	7.8	-
Passband Ripple at $F_c \pm 2.25\text{MHz}$ dB	-	0.4	-
Absolute Group Delay usec	-	0.48	-
Attenuation: (Reference level from Min IL)			
$F_c \pm 4.1\text{MHz}$	10	20	-
Single Input Impedance Ω	-	50	-
Single Output Impedance Ω	-	50	-
Temperature Coefficient ppm / °C ²	-	-0.036	-

SAW Filter 827.40MHz
Part No: MP05961

Model: TB1022A
Rev No: 1

C. FREQUENCY CHARACTERISTICS:

1. Narrow band Response: (span 50MHz)

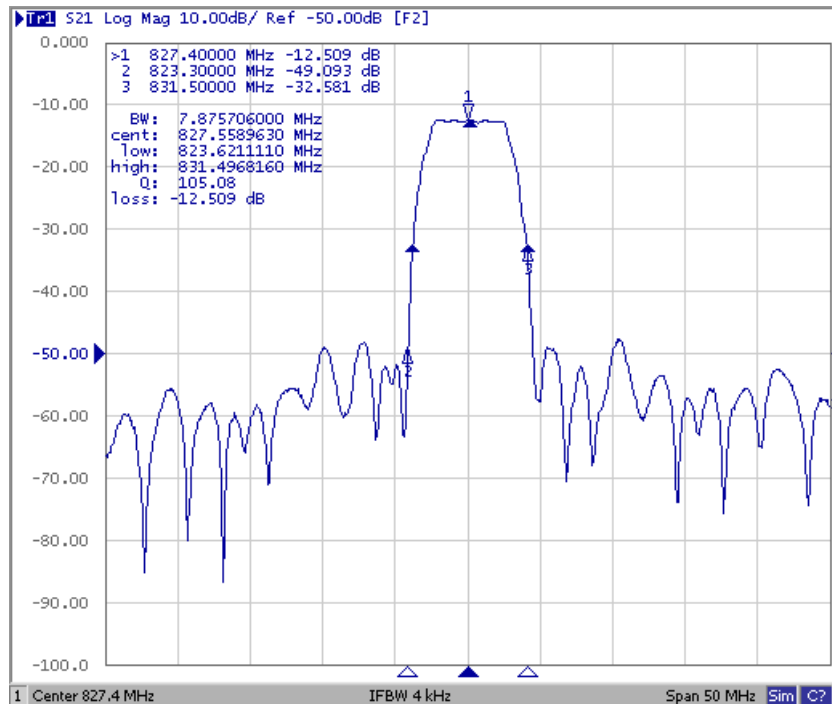


Fig 1: Horizontal: 5MHz / Div, Vertical: 10dB / Div

2. Pass band Response and Group Time Delay response:

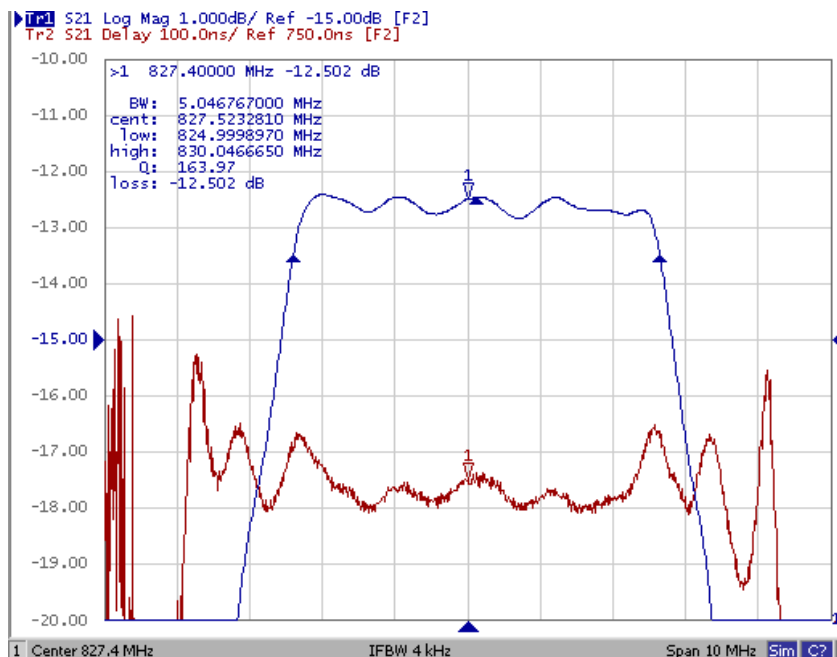
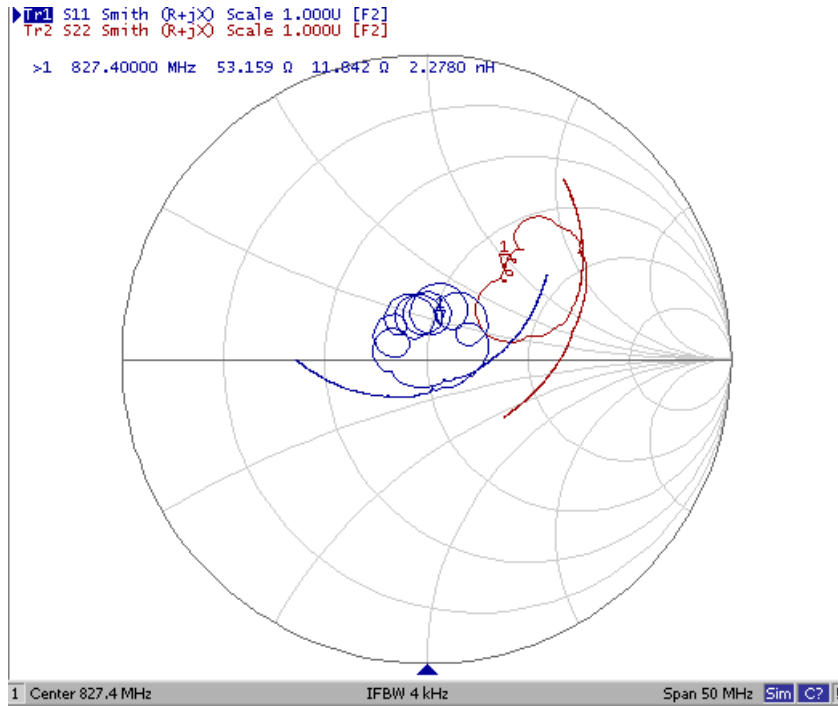


Fig 2: Horizontal: 1MHz / Div, Vertical: 1dB / Div, Vertical: 100ns / Div

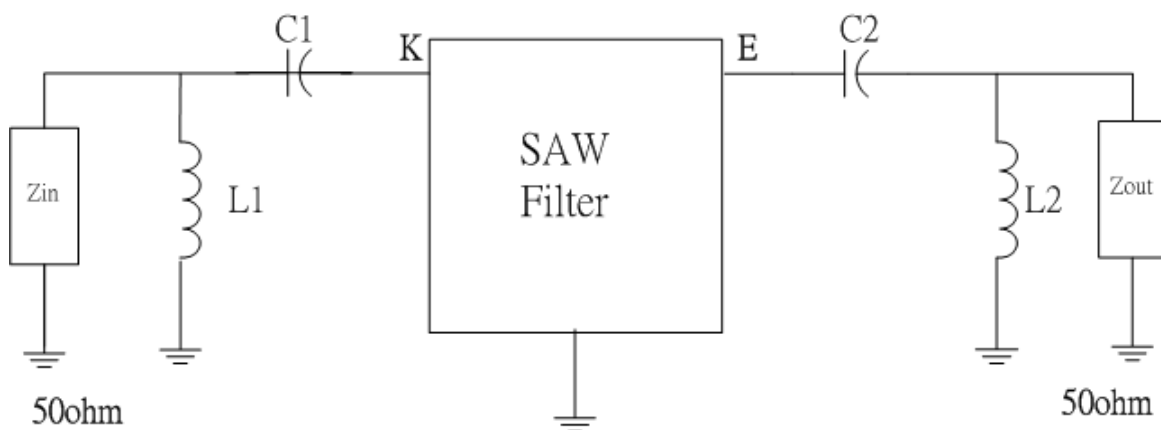
SAW Filter 827.40MHz
Part No: MP05961

Model: TB1022A
Rev No: 1

3. Smith Chart:



D. MATCHING CIRCUIT:



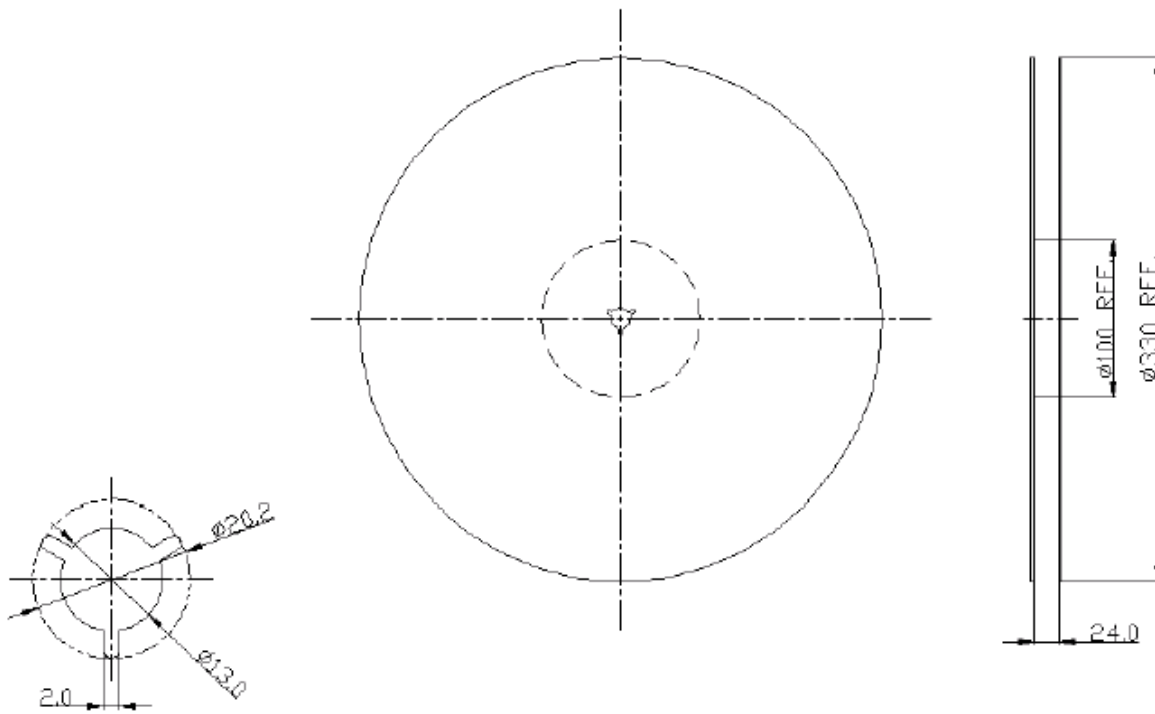
$L1 = 3\text{nH}, C1 = 5.6\text{pF}, L2 = 3\text{nH}, C2 = 8\text{pF}$

SAW Filter 827.40MHz
Part No: MP05961

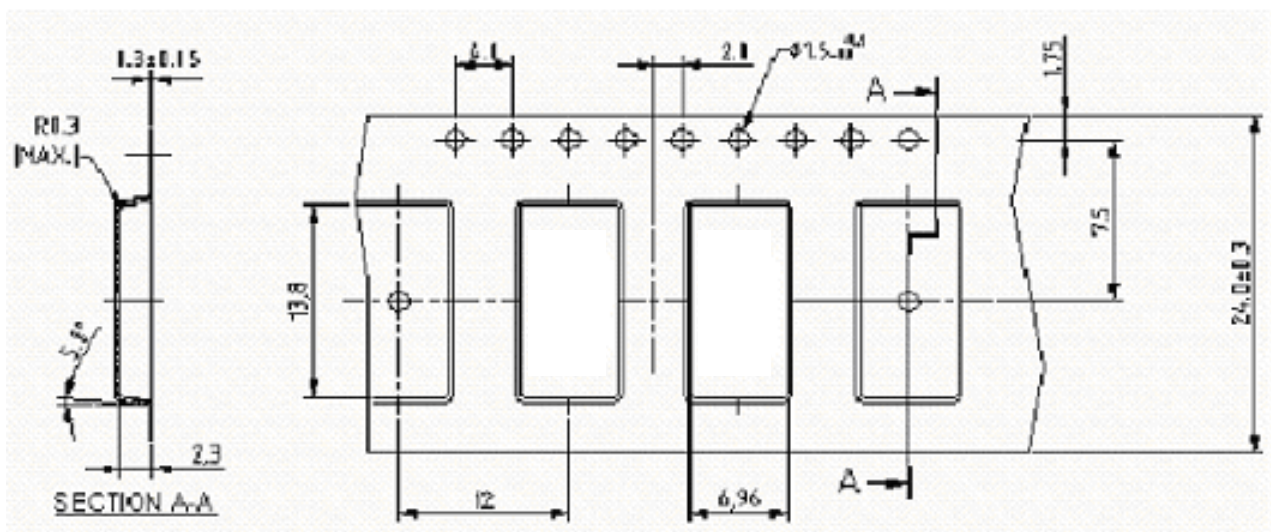
Model: TB1022A
Rev No: 1

G. PACKING:

1. Reel Dimension



2. Tape Dimension



SAW Filter 827.40MHz
Part No: MP05961

Model: TB1022A
Rev No: 1

H. RECOMMENDED REFLOW PROFILE:

