

SAW Filter 2140.0MHz
Part No: MP06140

Model: TA1433A
Rev No: 1

A. MAXIMUM RATING:

Electrostatic Sensitive Device (ESD)

1. Input Power Level: 10dBm
2. DC Voltage: 3V
3. Operating Temperature: -20°C to +70°C
4. Storage Temperature: -40°C to +85°C

B. ELECTRICAL CHARACTERISTICS:

1. Terminating source impedance (single ended): $Z_S = 50\Omega$
2. Terminating load impedance (single ended): $Z_L = 50\Omega$

Item	Unit	Min.	Typ.	Max.	Note
Center Frequency Fc	MHz	-	2140	-	-
Bandwidth@ -3dB (relative to Fc IL)	MHz	100	114	-	-
Insertion Loss (2090 ~ 2190MHz) IL	dB	-	3.5	5	-
Amplitude Ripple (2090 ~ 2190MHz)	dB	-	1.6	3	-
VSWR (2090 ~ 2190MHz)		-	2.2	2.5	-
Attenuation (reference level from 0dB)					
DC ~ 2050MHz	dB	25	27	-	-
2230 ~ 3200MHz	dB	25	32	-	-
Temperature Coefficient of Frequency	ppm/°C	-	-36	-	-

Amplitude Ripple is relative to Fc IL.

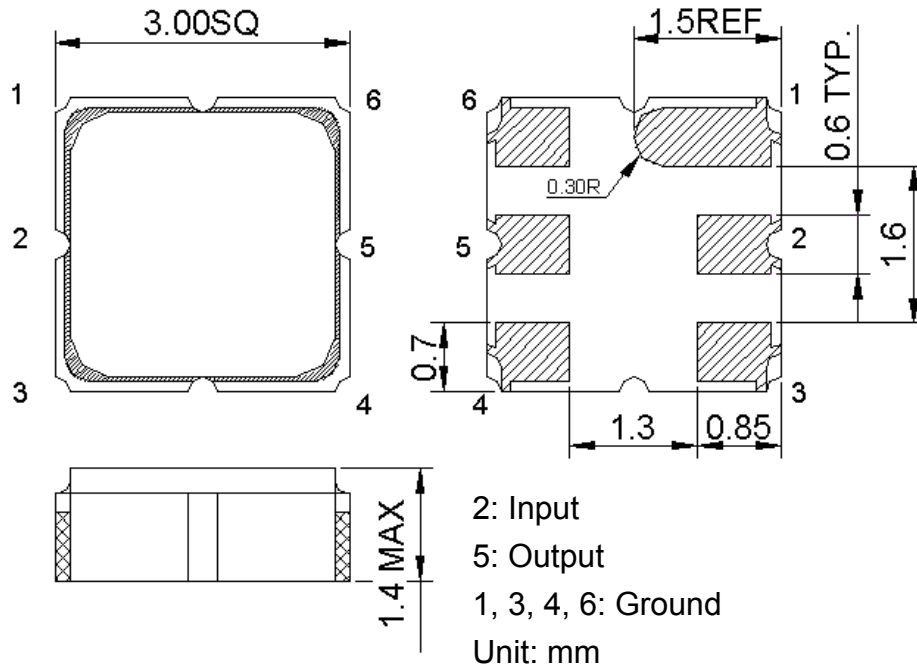
SAW Filter 2140.0MHz

Model: TA1433A

Part No: MP06140

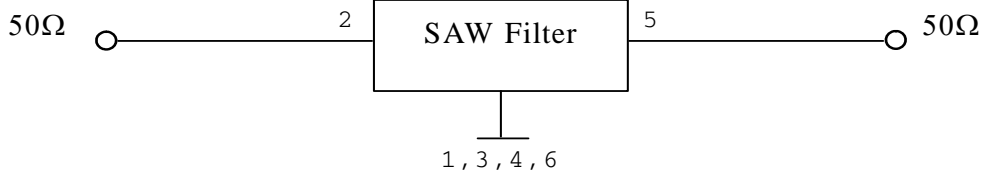
Rev No: 1

C. OUTLINE DRAWING:

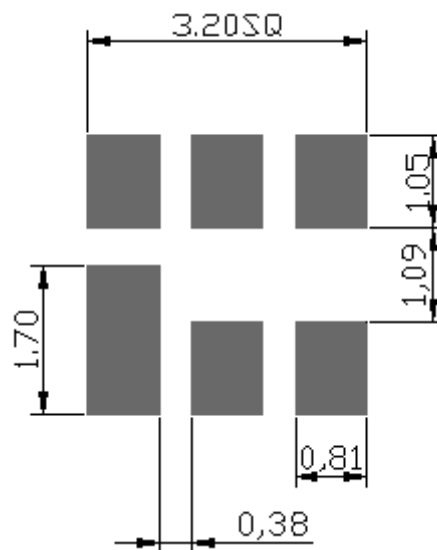


D. MEASUREMENT CIRCUIT:

HP Network analyzer



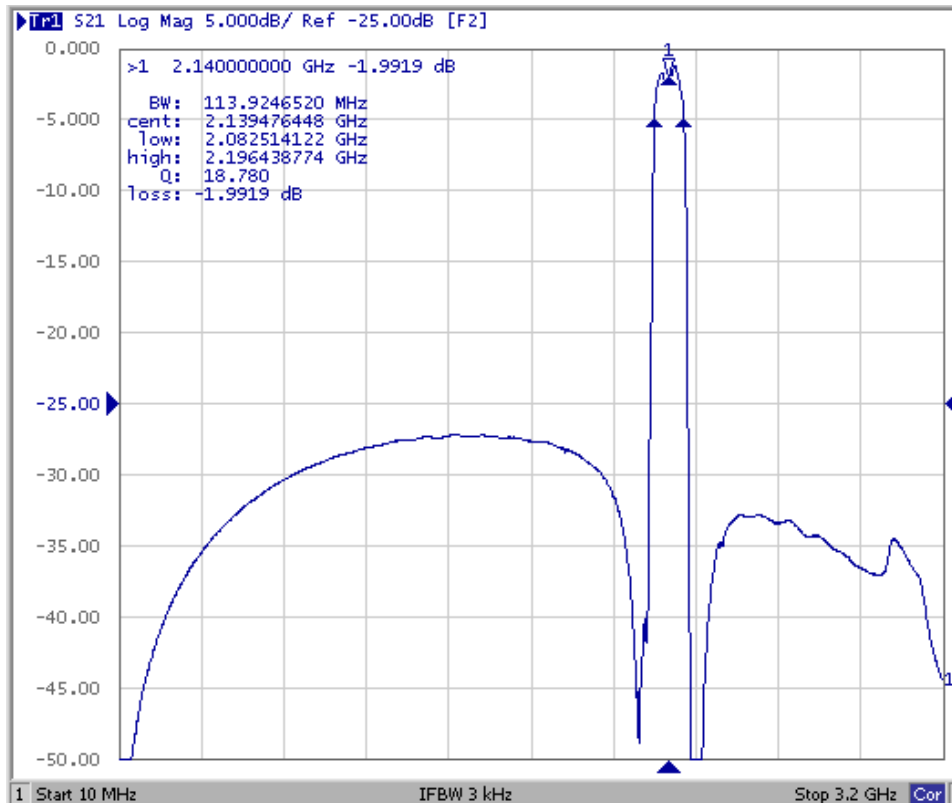
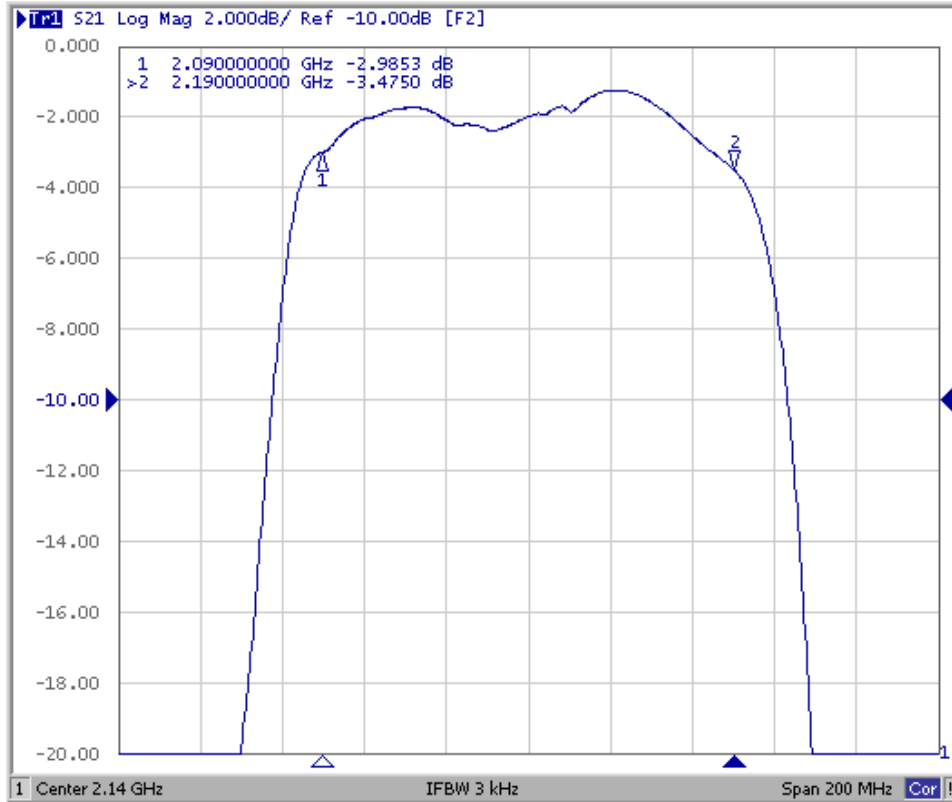
E. PCB FOOTPRINT:



SAW Filter 2140.0MHz
Part No: MP06140

Model: TA1433A
Rev No: 1

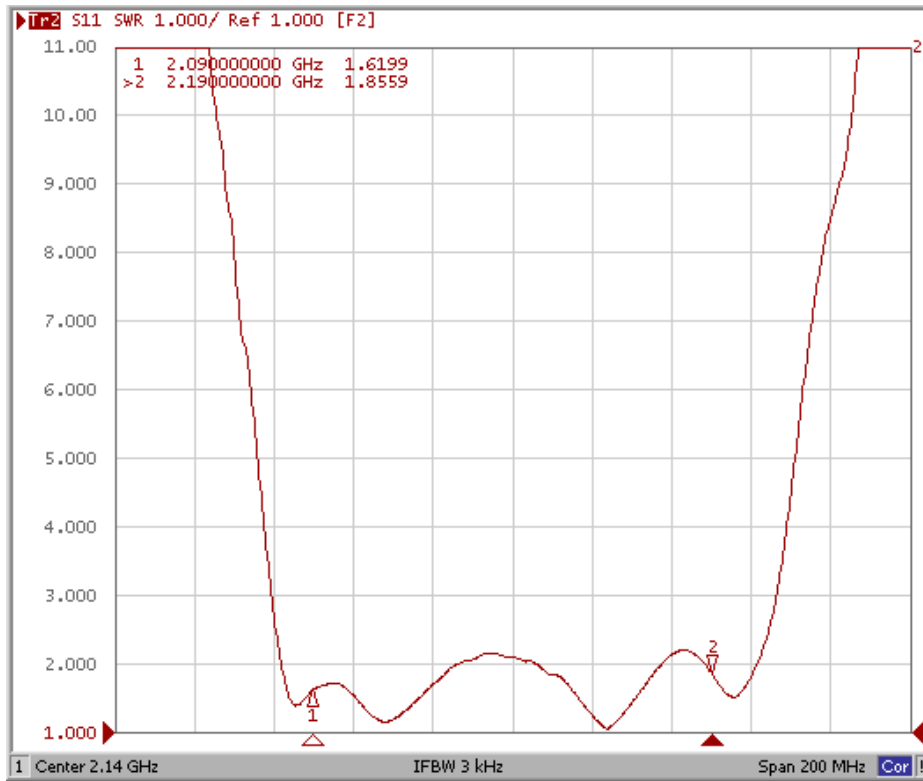
F. FREQUENCY CHARACTERISTICS:



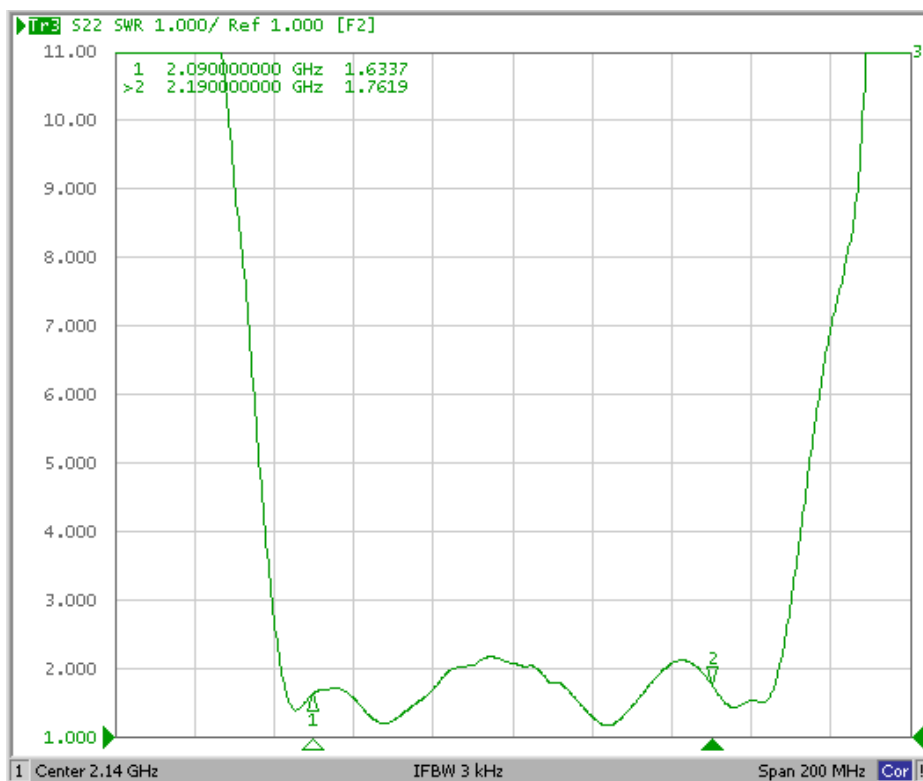
SAW Filter 2140.0MHz
Part No: MP06140

Model: TA1433A
Rev No: 1

S11



S22

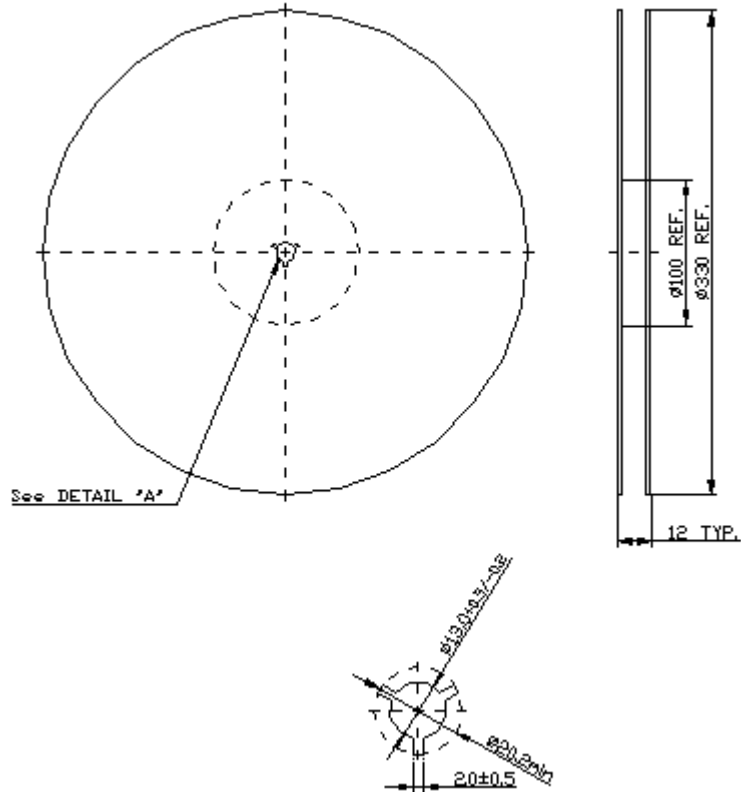


SAW Filter 2140.0MHz
Part No: MP06140

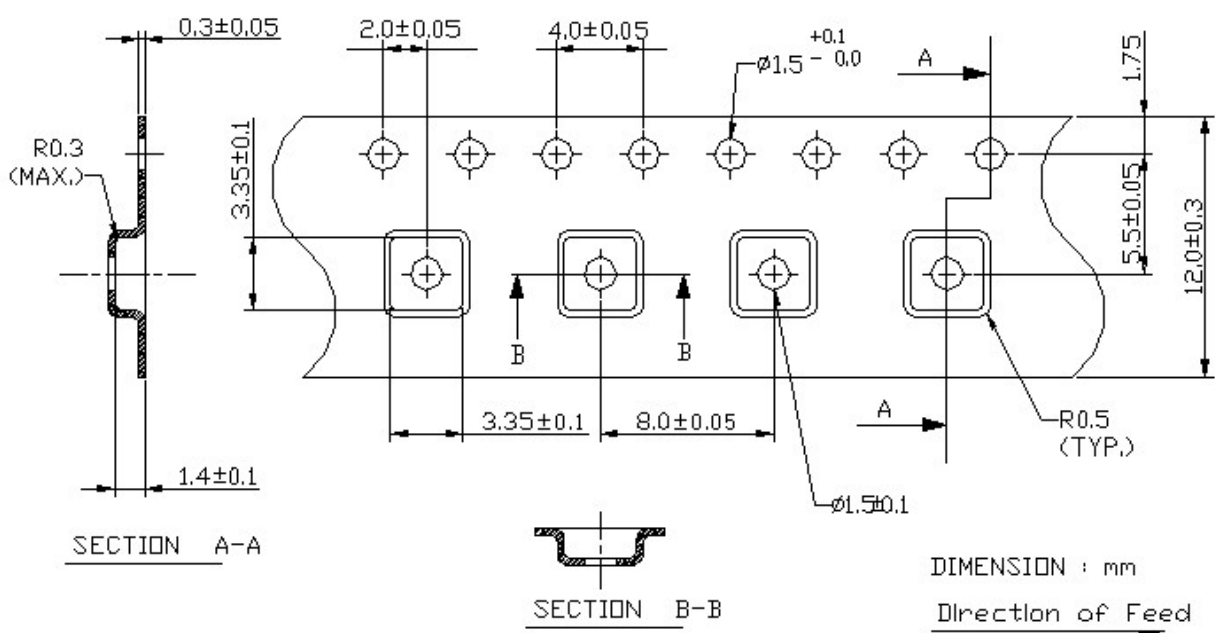
Model: TA1433A
Rev No: 1

G. PACKING:

1. Reel Dimension (Please refer to FR-75D10 for packing quantity)



2. Tape Dimension



SAW Filter 2140.0MHz
Part No: MP06140

Model: TA1433A
Rev No: 1

H. RECOMMENDED REFLOW PROFILE:

1. Preheating shall be fixed at 150 ~ 180°C for 60 ~ 90 seconds.
2. Ascending time to preheating temperature 150°C shall be 30 seconds min.
3. Heating shall be fixed at 220°C for 50 ~ 80 seconds and at 245 ~ 260°C peak (min. 10 sec).
4. Time: 2 times.

