

SAW Filter 851.240MHz
Part No: MP06148

Model: TB1007A
Rev No: 1

A. MAXIMUM RATING:

Electrostatic Sensitive Device

1. Operating temperature range: -30°C to 75°C
2. Storage temperature range: -40°C to 85°C
3. Input Power Level: 10dBm
4. Maximum DC Voltage: 10V

B. CHARACTERISTICS:

Item	Unit	Min.	Typ.	Max.
Center frequency Fc	MHz	-	851.24	-
Insertion Loss IL	dB	-	12.3	15.0
-1dB bandwidth	MHz	66.0	74.5	-
Passband Ripple Fc+/- 30MHz	dB	-	0.6	1.0
Attenuation: (Reference level from Min IL)				
10MHz ~ 710MHz	dB	40	50	-
710MHz ~ 782MHz	dB	40	41	-
782MHz ~ 792MHz	dB	20	40	-
792MHz ~ 803MHz	dB	15	31	-
920MHz ~ 985MHz	dB	33	40	-
985MHz ~ 1200MHz	dB	40	42	-
Temperature Coefficient	ppm/°C	-	-94	--
Source Impedance	Ohm	-	50	-
Load Impedance	Ohm	-	50	-

SAW Filter 851.240MHz
Part No: MP06148

Model: TB1007A
Rev No: 1

C. FREQUENCY CHARACTERISTICS:

1. Wide band Response: (span 400MHz)

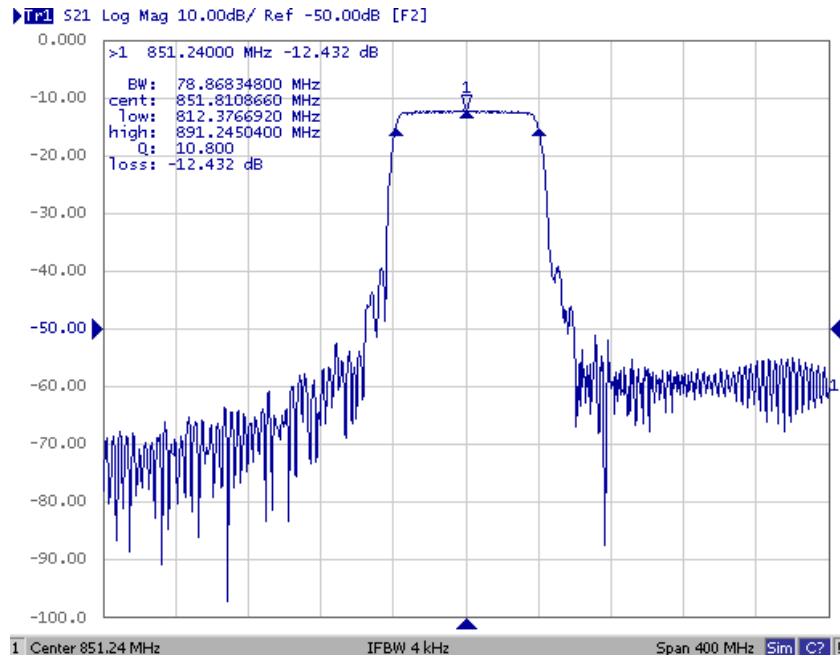


Fig. 1: Horizontal: 340MHz / Div, Vertical: 10Db / Div

2. Pass band Response and Group Time Delay Response:

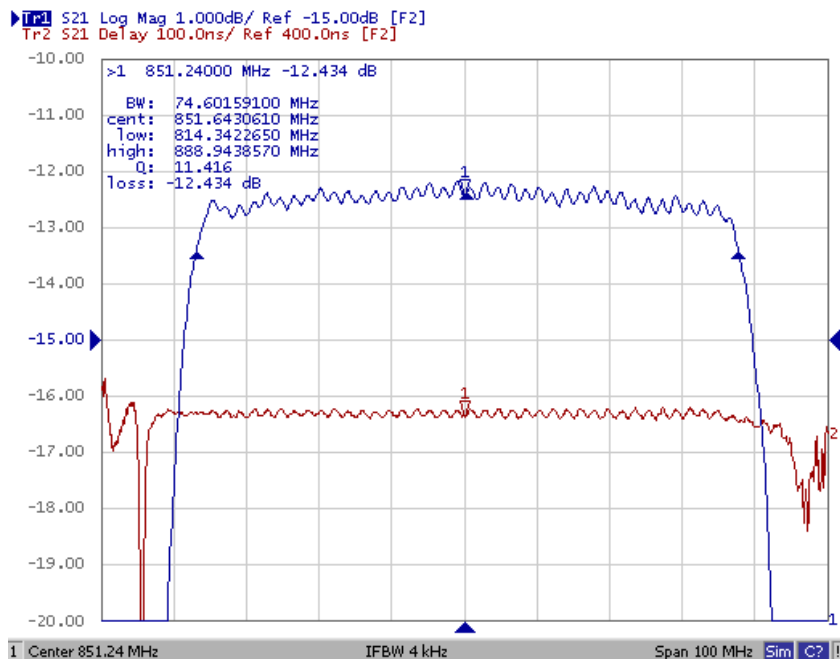


Fig 2: Horizontal: 10MHz / Div, Vertical: 1dB / Div, Vertical: 100ns / Div

SAW Filter 851.240MHz
Part No: MP06148

Model: TB1007A
Rev No: 1

3. Wide band Response:

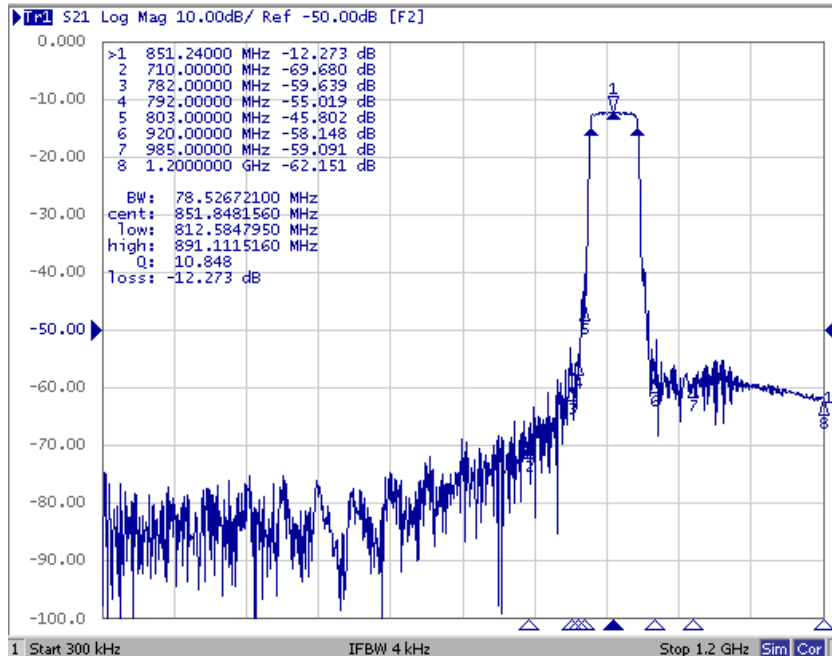
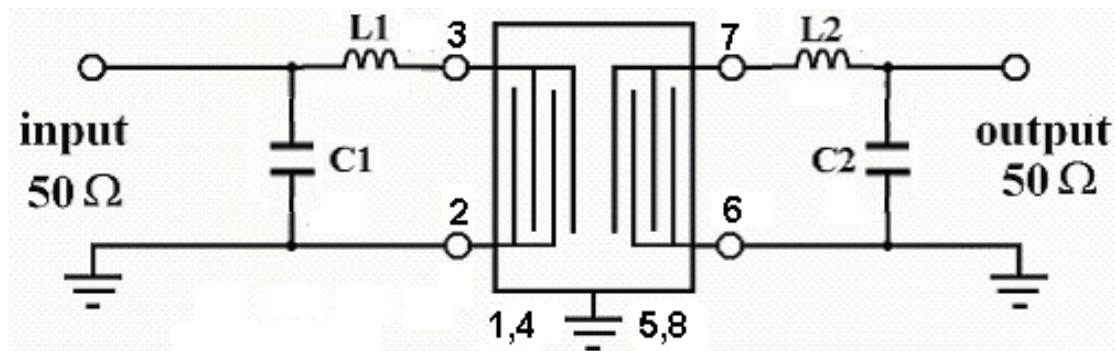


Fig. 3: Horizontal: 120MHz / Div, Vertical: 10dB / Div

D. MATCHING CIRCUIT:

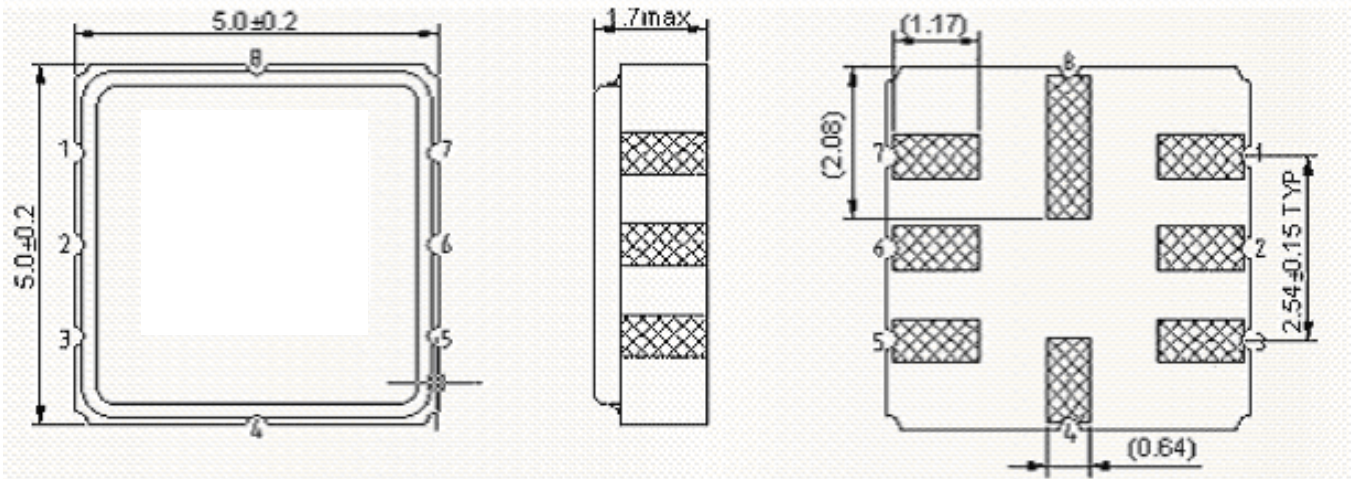


L1 = 5.6nH, C1 = 3.5pF, L2 = 5.6nH, C1 = 4pF

SAW Filter 851.240MHz
Part No: MP06148

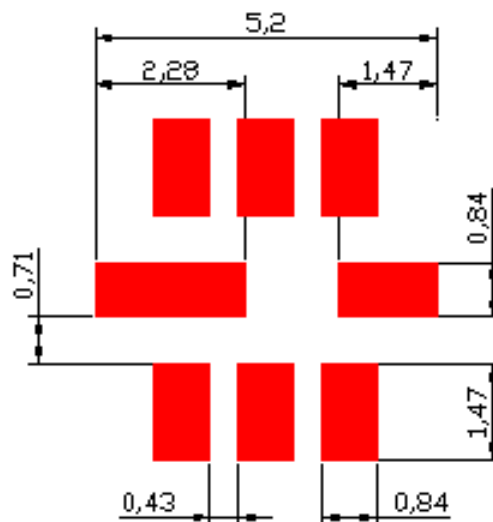
Model: TB1007A
Rev No: 1

E. OUTLINE DRAWING:



- 3: Input
 - 2: Input ground
 - 7: Output
 - 6: Output ground
 - 1, 4, 5, 8: Ground
- Unit: mm

F. PCB FOOTPRINT:

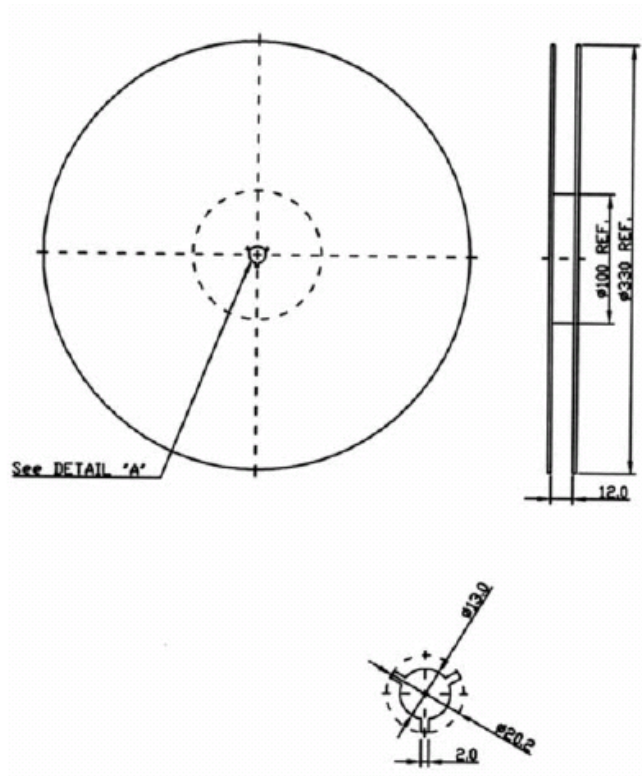


SAW Filter 851.240MHz
Part No: MP06148

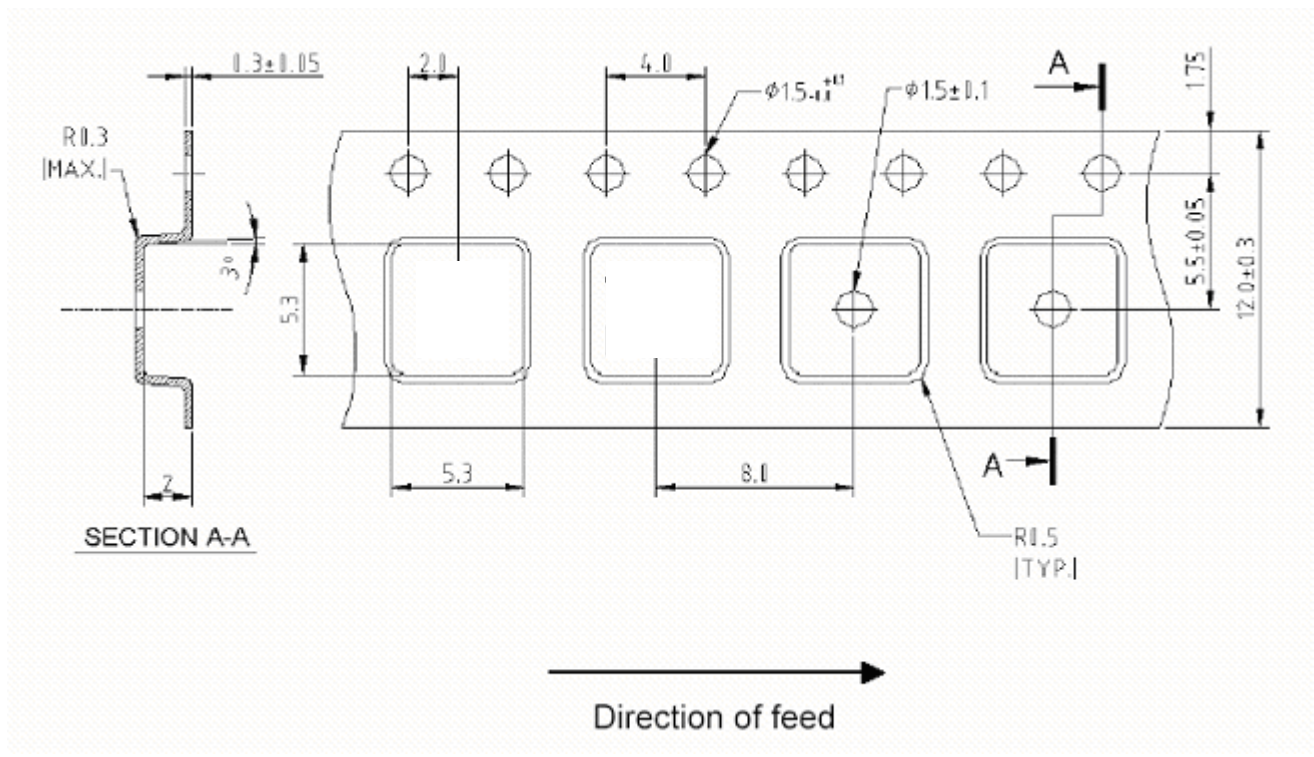
Model: TB1007A
Rev No: 1

G. PACKING:

1. Reel Dimension



2. Tape Dimension



SAW Filter 851.240MHz
Part No: MP06148

Model: TB1007A
Rev No: 1

H. RECOMMENDED REFLOW PROFILE:

