

SAW Filter 857.0MHz
Part No: MP06149

Model: TB0904A
Rev No: 4

A. MAXIMUM RATING:

1. Operating temperature range: -30°C to 75°C
2. Storage temperature range: -40°C to 85°C
3. Input Power Level: 10dBm
4. Maximum DC Voltage: 10V

B. CHARACTERISTICS:

Item	Unit	Min.	Typ.	Max.
Center frequency Fc	MHz	-	857	-
Insertion Loss IL	dB	-	13.6	15.0
-1dB bandwidth	MHz	66	76	-
Passband Ripple Fc ± 30MHz	dB	-	0.5	1.0
Attenuation:(Reference level from Min IL)				
10MHz ~ 715MHz	dB	40	50	-
715MHz ~ 788MHz	dB	40	47	-
788MHz ~ 798MHz	dB	20	38	-
798MHz ~ 809MHz	dB	15	38	-
925MHz ~ 990MHz	dB	33	37	-
990MHz ~ 1200MHz	dB	40	44	-
Temperature Coefficient	ppm/°C	-	-94	--
Source Impedance	Ω	-	50	-
Load Impedance	Ω	-	50	-

SAW Filter 857.0MHz
Part No: MP06149

Model: TB0904A
Rev No: 4

C. FREQUENCY CHARACTERISTICS:

1. Wide band Response: (span 300MHz)

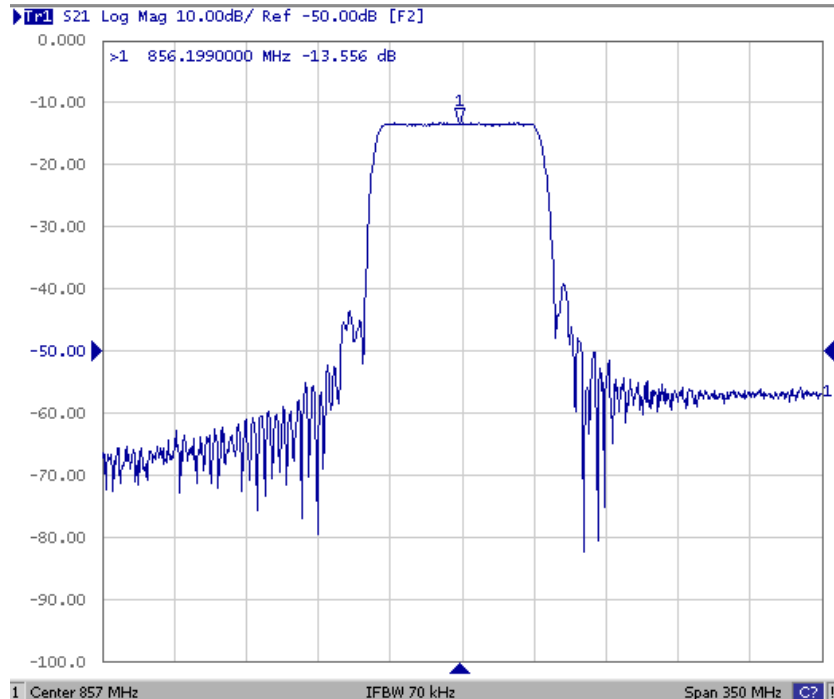


Fig. 1: Horizontal: 30MHz / Div, Vertical: 10dB / Div

2. Pass band Response and Group Time Delay response:

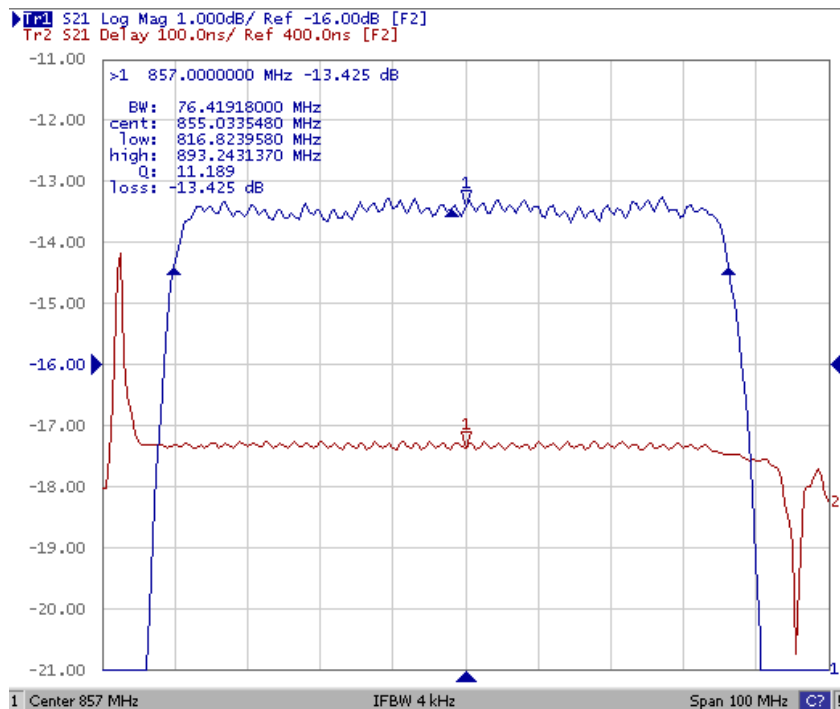


Fig. 2: Horizontal: 10MHz / Div, Vertical: 1dB / Div, Vertical: 100ns / Div

3. Wide band Response:

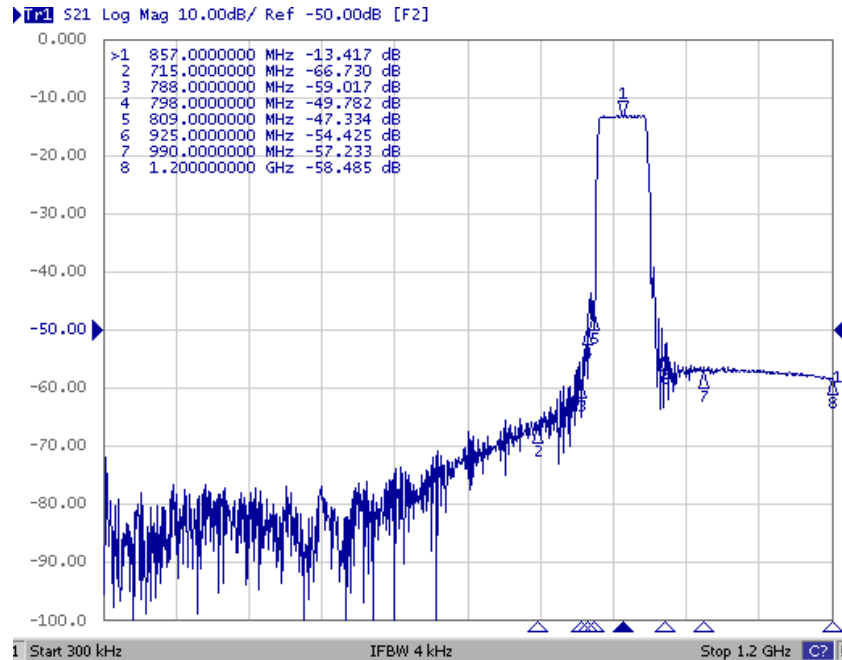
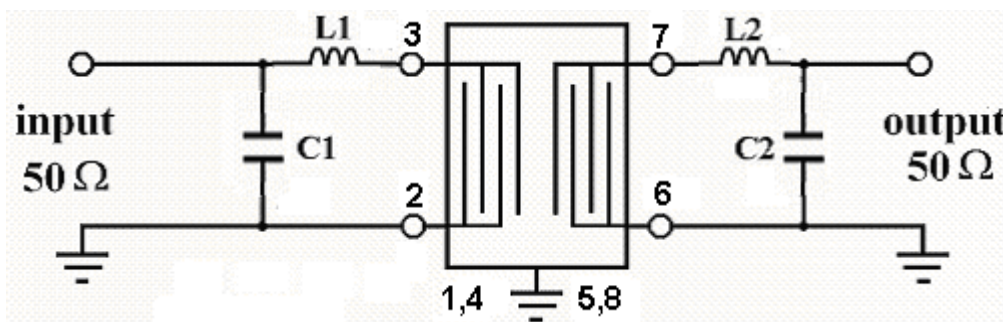


Fig. 3: Horizontal: 100MHz / Div, Vertical: 10dB / Div

D. MATCHING CIRCUIT:

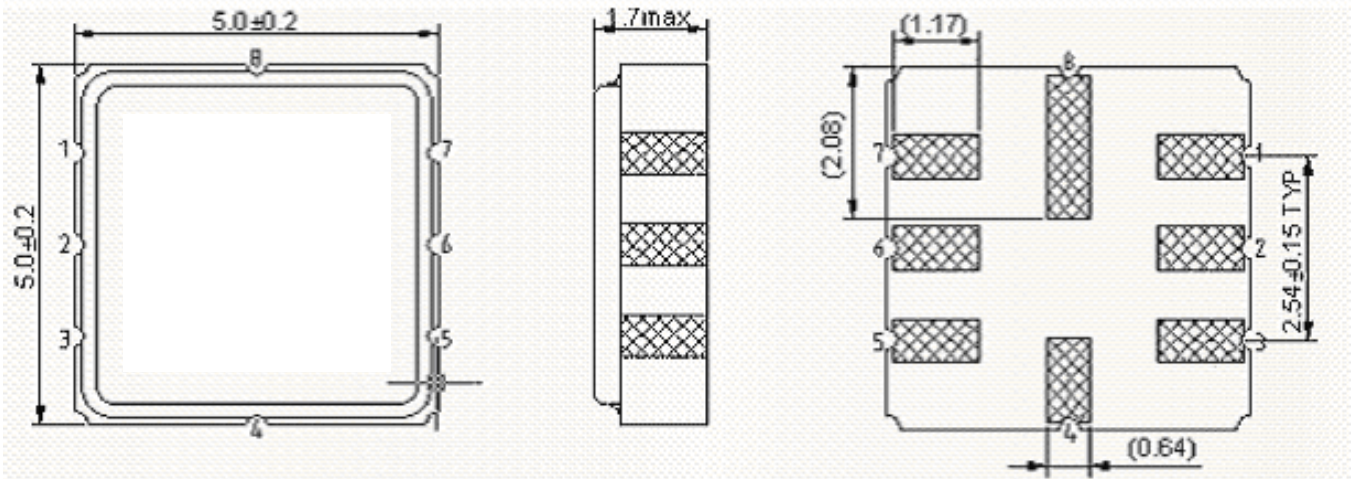


L1 = 3nH, C1 = 3.5pF, L2 = 5.6nH, C1 = 4pF

SAW Filter 857.0MHz
Part No: MP06149

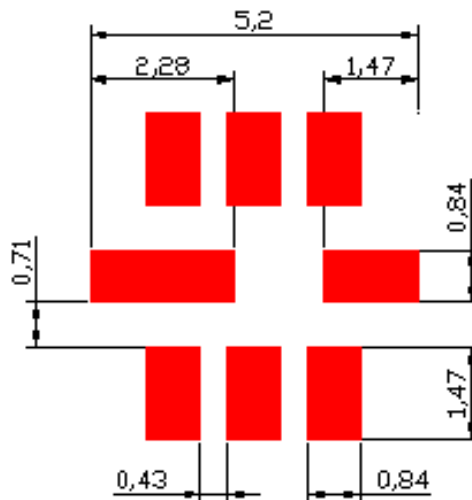
Model: TB0904A
Rev No: 4

E. OUTLINE DRAWING:



- 3: Input
 - 2: Input ground
 - 7: Output
 - 6: Output ground
 - 1, 4, 5, 8: Ground
- Unit: mm

F. PCB FOOTPRINT:

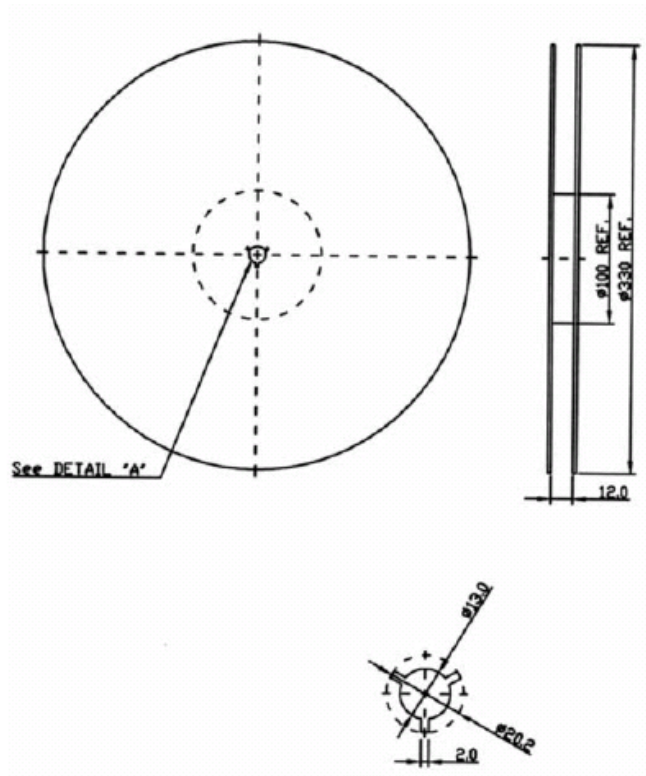


SAW Filter 857.0MHz
Part No: MP06149

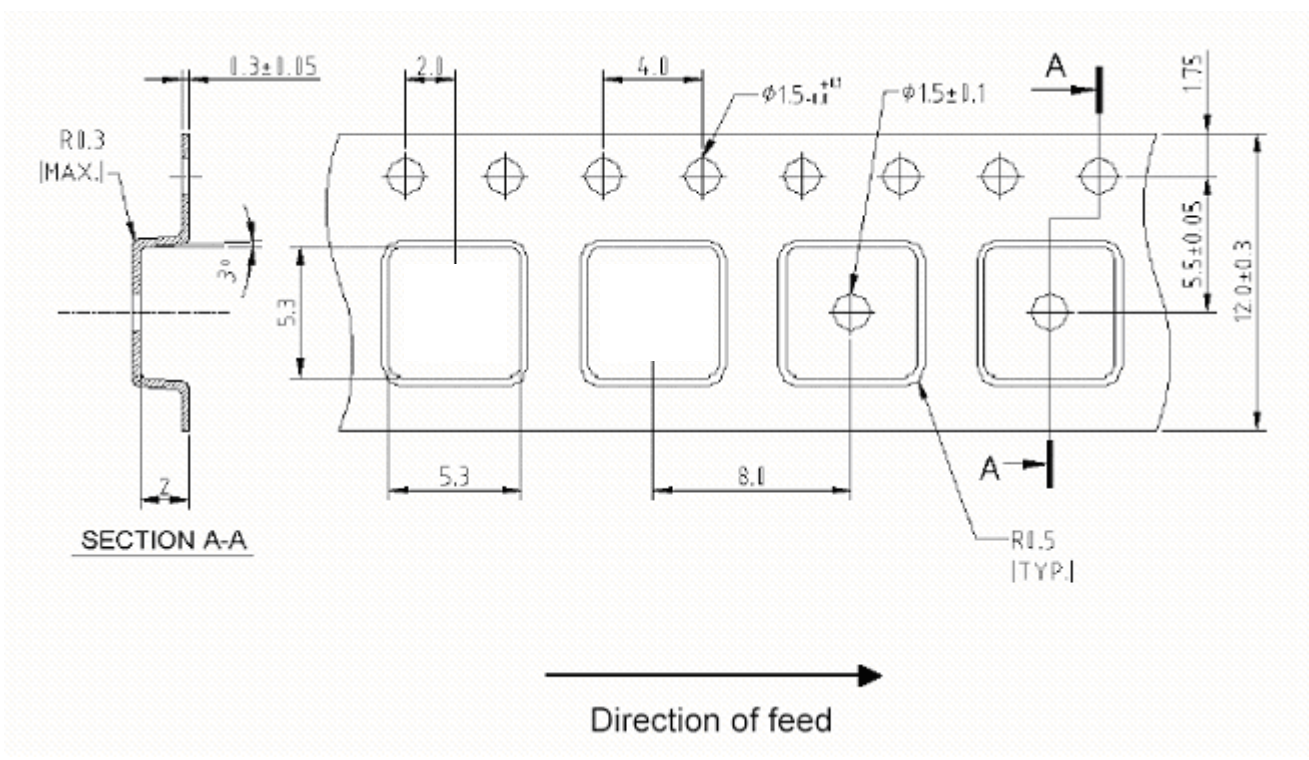
Model: TB0904A
Rev No: 4

G. PACKING:

1. Reel dimension



2. Tape Dimension



SAW Filter 857.0MHz
Part No: MP06149

Model: TB0904A
Rev No: 4

H. RECOMMENDED REFLOW PROFILE:

