

SAW Filter 974.30MHz

Model: TB1030A

Part No: MP06161

Rev No: 1

A. MAXIMUM RATING:

Electrostatic Sensitive Device

1. Operating temperature range: -30°C to 60°C
2. Storage temperature range: -40°C to 85°C
3. Input Power Level: 10dBm
4. Maximum DC Voltage: 10V

B. CHARACTERISTICS:

Item	Unit	Min.	Typ.	Max.
Center frequency Fc	MHz	-	974.3	-
Insertion Loss IL	dB	-	15.5	16.5
-1dB bandwidth	MHz	76	84	-
Passband Ripple Fc ± 35MHz	dB	-	0.7	1.0
Attenuation: (Reference level from Min IL)				
10MHz ~ 904.3MHz	dB	40	45	-
904.3MHz ~ 915MHz	dB	32	36	-
1034MHz ~ 1044.3MHz	dB	32	37	-
1044.3MHz ~ 1200MHz	dB	37	41	-
Temperature Coefficient	ppm/°C	-	-94	-
Source Impedance	Ohm	-	50	-
Load Impedance	Ohm	-	50	-

SAW Filter 974.30MHz
Part No: MP06161

Model: TB1030A
Rev No: 1

C. FREQUENCY CHARACTERISTICS:

1. Wide band Response: (span 400MHz)

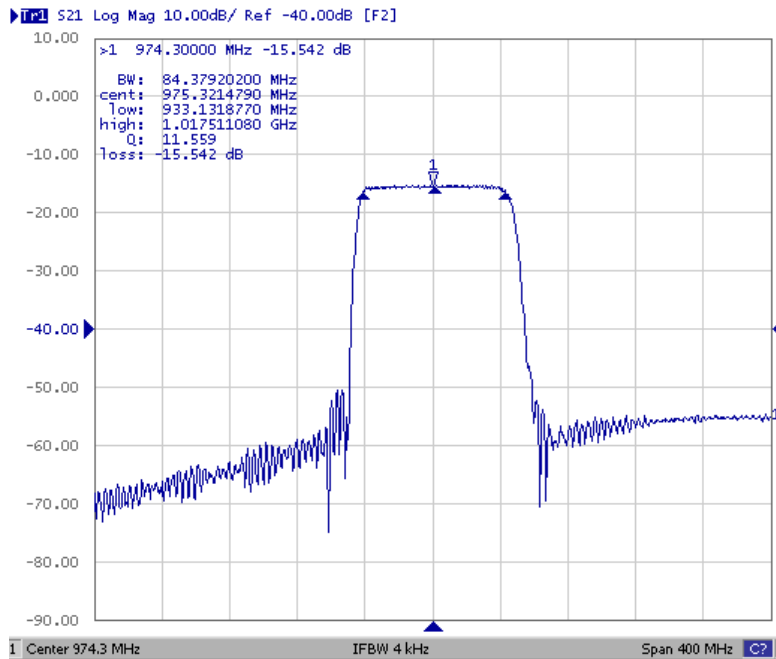


Fig. 1: Horizontal: 40MHz / Div, Vertical: 10dB / Div

2. Pass band Response and Group Time Delay response:

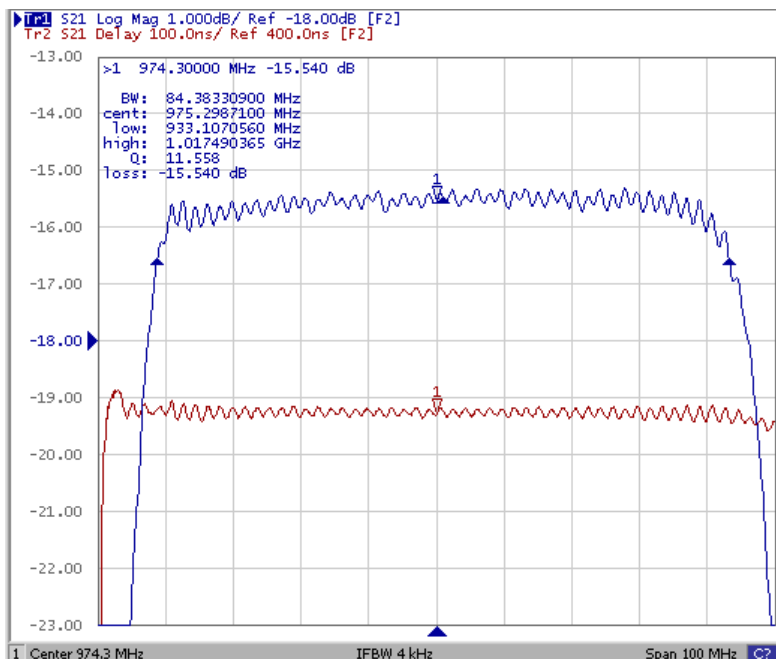
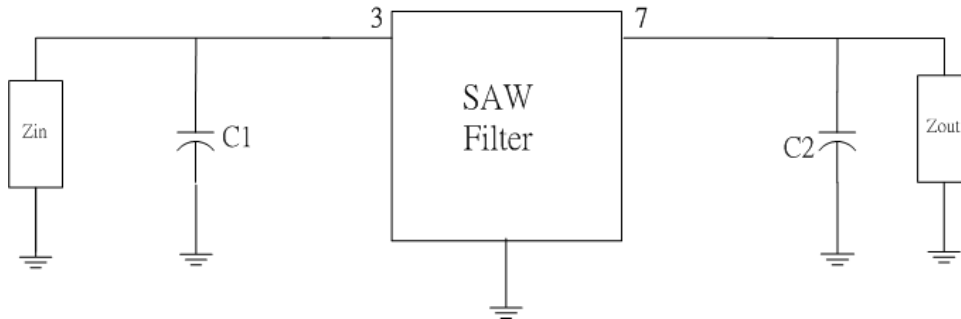


Fig. 2: Horizontal: 10MHz / Div, Vertical: 1dB / Div, Vertical: 100ns / Div

SAW Filter 974.30MHz
Part No: MP06161

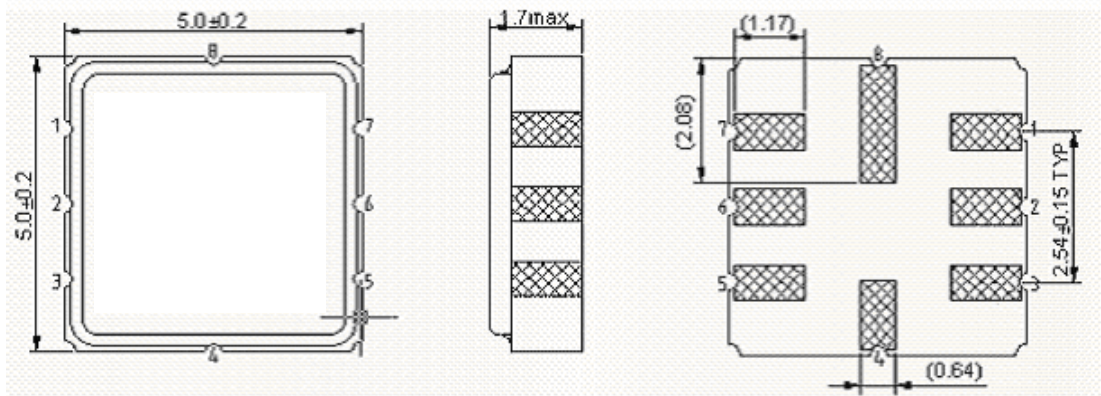
Model: TB1030A
Rev No: 1

D. MATCHING CIRCUIT:



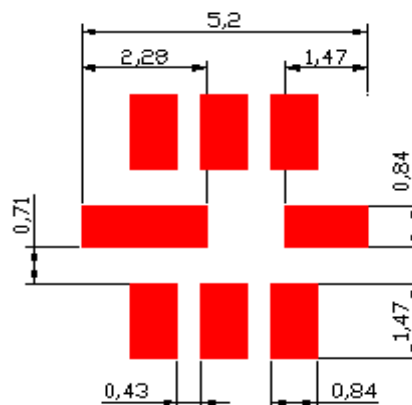
$C1 = 2.7\text{pF}$, $C1 = 6.8\text{pF}$

E. OUTLINE DRAWING:



- 3: Input
 - 2: Input ground
 - 7: Output
 - 6: Output ground
 - 1, 4, 5, 8: Ground
- Unit: mm

F. PCB FOOTPRINT:

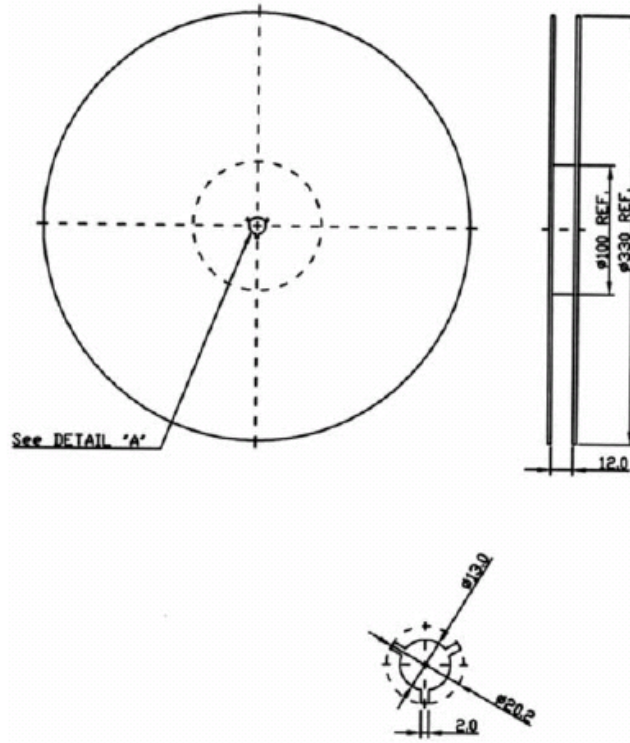


SAW Filter 974.30MHz
Part No: MP06161

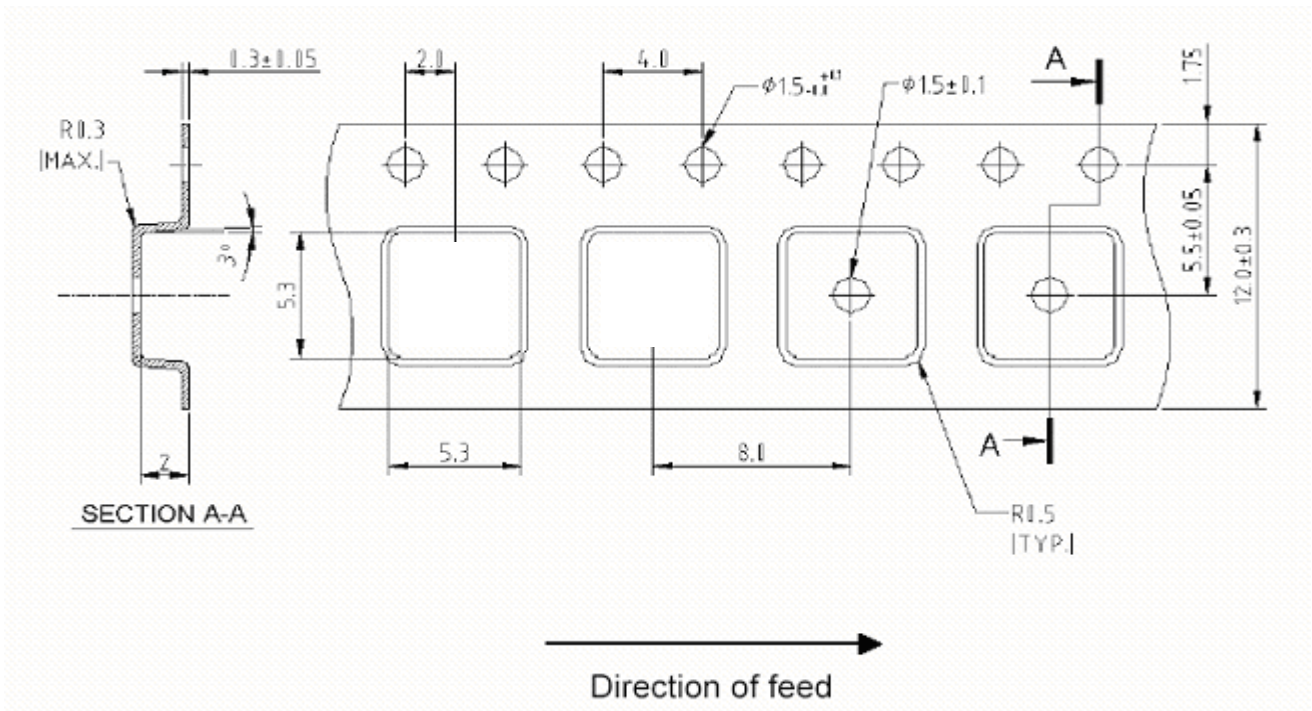
Model: TB1030A
Rev No: 1

G. PACKING:

1. Reel dimension



2. Tape Dimension



SAW Filter 974.30MHz
Part No: MP06161

Model: TB1030A
Rev No: 1

H. RECOMMENDED REFLOW PROFILE:

