

SAW Filter 169.40MHz
Part No: MP06175

Model: TA1715A
Rev No: 1

A. MAXIMUM RATING:

Electrostatic Sensitive Device (ESD)

1. Input Power Level: 10dBm
2. DC voltage: 6V
3. Operating Temperature: -40°C to 85°C
4. Storage Temperature: -40°C to +85°C

B. ELECTRICAL CHARACTERISTICS:

| Item | Unit | Min. | Typ. | Max. |
|---|------|------|-------|------|
| Center frequency Fc | MHz | - | 169.4 | - |
| 3dB BW | KHz | - | 500 | - |
| Minimum insertion loss IL(min) Incl. loss of matching elements *1) | dB | - | 2.0 | 3.0 |
| Passband (relative to IL_{min}) *1) 169.3 ~169.5 MHz | dB | - | 0.4 | 3.0 |
| Attenuation (relative to IL_{min}) *1) 10.00 ~165.00 MHz | dB | 30 | 44 | - |
| 170.6 ~175.00 MHz | dB | 15 | 20 | - |
| 175.0 ~1000.0 MHz | dB | 30 | 37 | - |
| Source Impedance | ohm | | 50 | |
| Load Impedance | ohm | | 50 | |

*1) : The matching circuit is real by actual passive components.
 0805 Coilcraft CS series chip conductor is used for inductor.
 0402 muRata GRM series is used for capacitor.

SAW Filter 169.40MHz
Part No: MP06175

Model: TA1715A
Rev No: 1

C. FREQUENCY CHARACTERISTICS:

(1) Wide band Response:

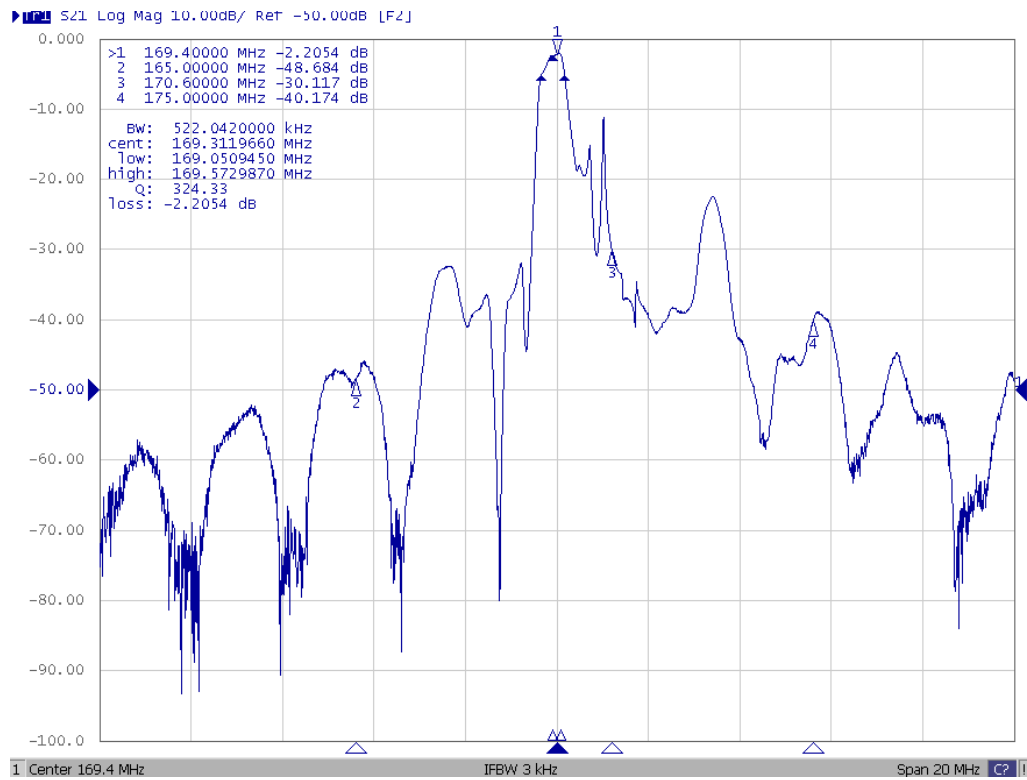


Fig1. Horizontal: 2MHz/Div Vertical: 10dB/Div

SAW Filter 169.40MHz
Part No: MP06175

Model: TA1715A
Rev No: 1

(2) Pass band Response:

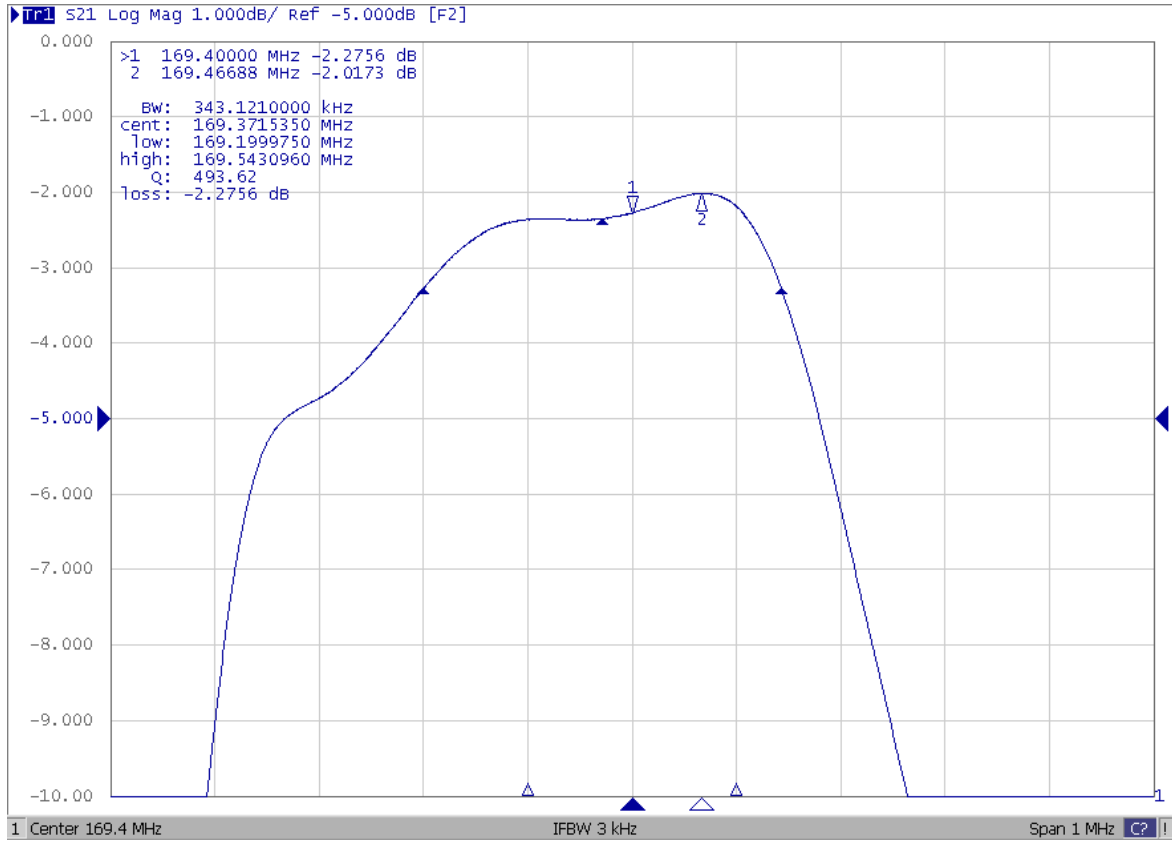
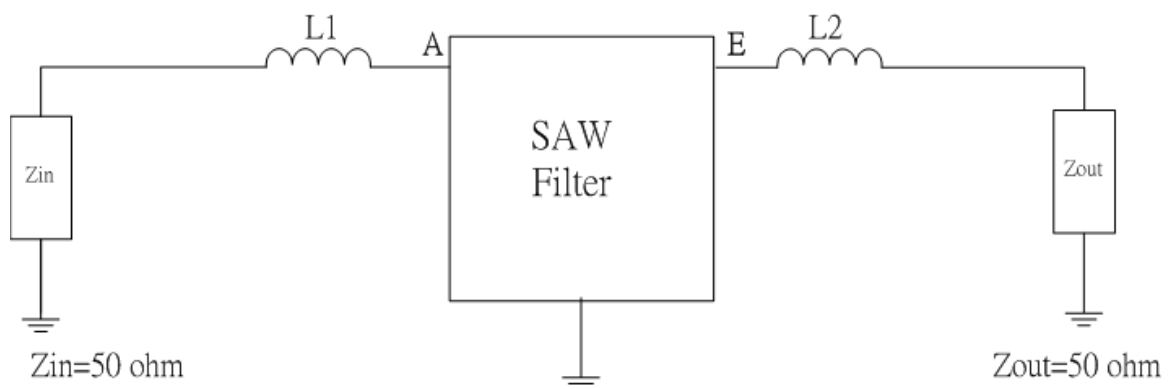


Fig2. Horizontal: 0.1MHz/Div Vertical: 1dB/Div

D. MEASUREMENT CIRCUIT:

The matching circuit is real by actual passive components.

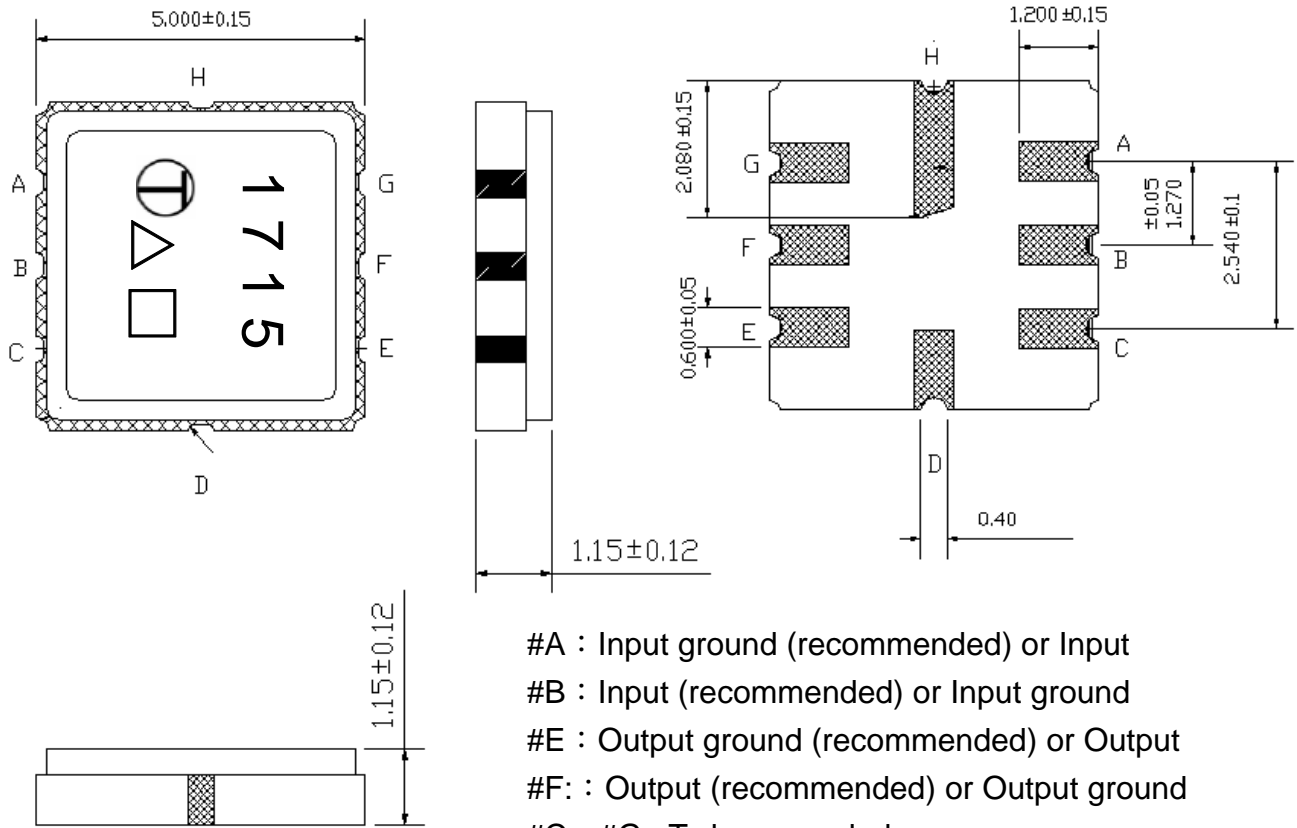


L1=270nH L2=270nH

SAW Filter 169.40MHz
Part No: MP06175

Model: TA1715A
Rev No: 1

E. OUTLINE DRAWING:



- #A : Input ground (recommended) or Input
 - #B : Input (recommended) or Input ground
 - #E : Output ground (recommended) or Output
 - #F : Output (recommended) or Output ground
 - #C 、 #G: To be grounded
 - #D 、 #H : Case Ground
 - Δ : Product / Year Code
 - : Week Code
- Unit : mm

| | | | | |
|-----------|------|------|----------|----------|
| Year | 2013 | 2014 | 2015 | 2016 |
| | 2017 | 2018 | 2019 | 2020 |
| | 2021 | 2022 | 2023 | 2024 |
| Year Code | A | a | <u>A</u> | <u>a</u> |

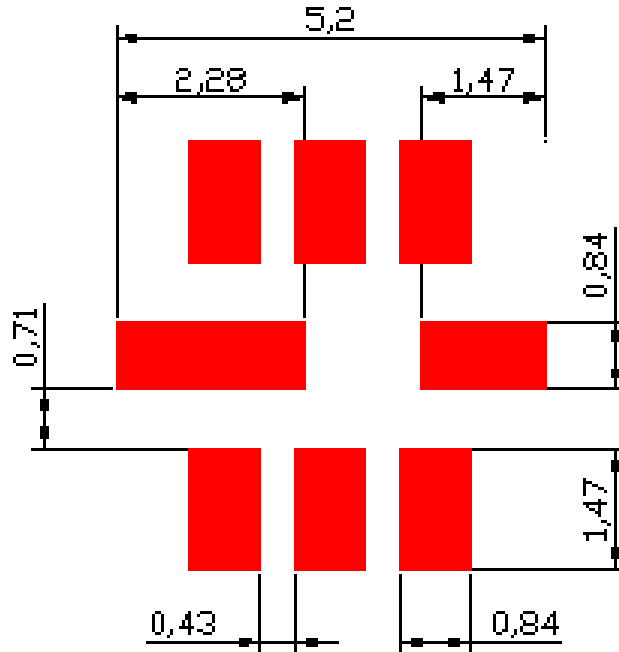
Week Code Table

| | | | | | | | | | | | | |
|------|------|------|------|------|------|------|------|------|------|------|------|------|
| WK01 | WK02 | WK03 | WK04 | WK05 | WK06 | WK07 | WK08 | WK09 | WK10 | WK11 | WK12 | WK13 |
| A | B | C | D | E | F | G | H | I | J | K | L | M |
| WK14 | WK15 | WK16 | WK17 | WK18 | WK19 | WK20 | WK21 | WK22 | WK23 | WK24 | WK25 | WK26 |
| N | O | P | Q | R | S | T | U | V | W | X | Y | Z |
| WK27 | WK28 | WK29 | WK30 | WK31 | WK32 | WK33 | WK34 | WK35 | WK36 | WK37 | WK38 | WK39 |
| a | b | c | d | e | f | g | h | i | j | k | l | m |
| WK40 | WK41 | WK42 | WK43 | WK44 | WK45 | WK46 | WK47 | WK48 | WK49 | WK50 | WK51 | WK52 |
| n | o | p | q | r | s | t | u | v | w | x | y | z |

SAW Filter 169.40MHz
Part No: MP06175

Model: TA1715A
Rev No: 1

F. PCB FOOTPRINT:

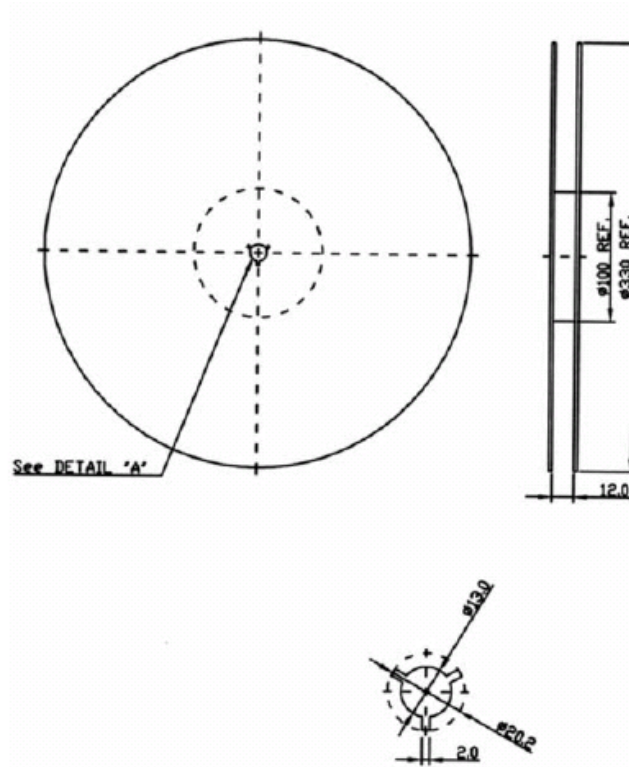


SAW Filter 169.40MHz
Part No: MP06175

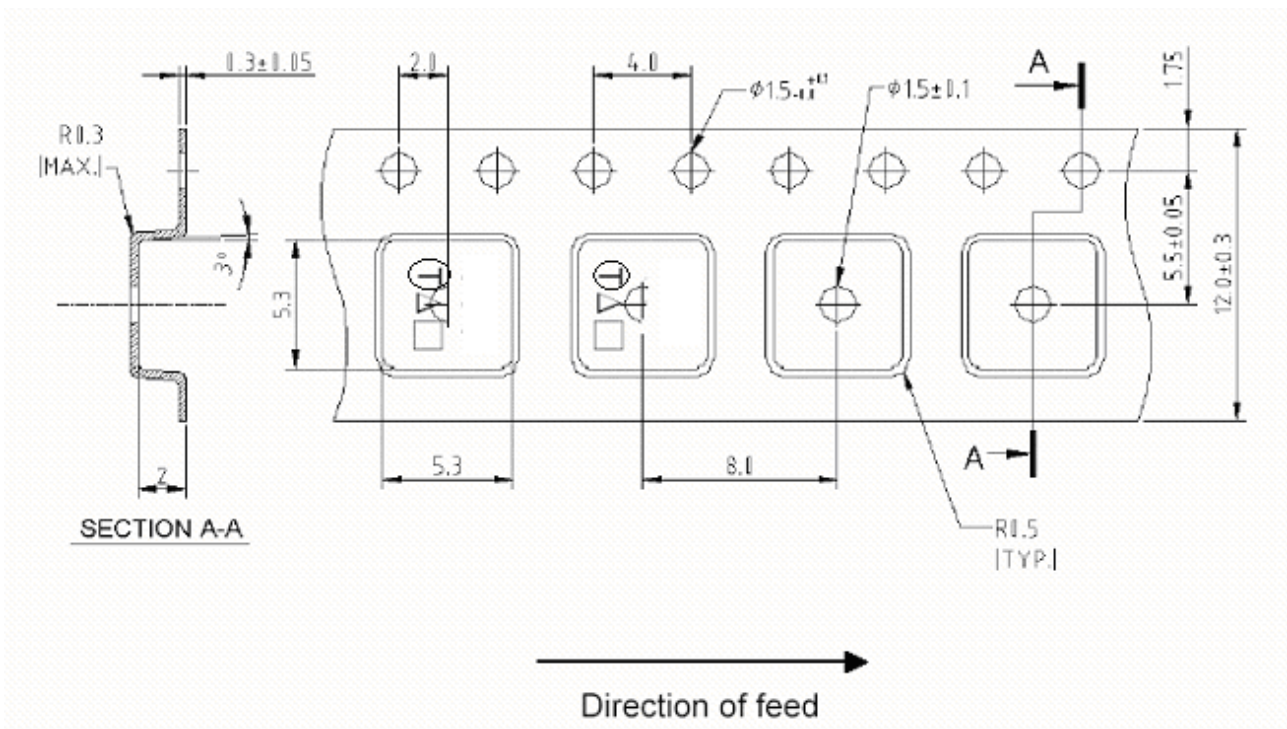
Model: TA1715A
Rev No: 1

G. PACKING:

1. REEL DIMENSION: (Please refer to FR-75D10 for packing quantity)



2. TAPE DIMENSION:



SAW Filter 169.40MHz
Part No: MP06175

Model: TA1715A
Rev No: 1

H. RECOMMENDED REFLOW PROFILE:

