

SAW Filter 289.0MHz
Part No: MP06176

Model: TA1725A
Rev No: 1

A. MAXIMUM RATING:

Electrostatic Sensitive Device (ESD)

1. Input Power Level: 10dBm
2. DC Voltage: 3V
3. Operating Temperature: -40°C to +85°C
4. Storage Temperature: -40°C to +85°C

B. ELECTRICAL CHARACTERISTICS:

Item	Unit	Min.	Typ.	Max.
Center frequency Fc	MHz	-	289	-
Insertion Loss (288.5 ~ 289.5MHz) IL	dB	-	1.7	2.4
Amplitude Ripple (288.5 ~ 289.5MHz)	dB	-	0.2	1.2
VSWR (288.5 ~ 289.5MHz)	-	-	1.2	1.8
Attenuation (Reference level from 0dB)				
239 ~ 269MHz	dB	55	63	-
269 ~ 279MHz	dB	44	48	-
279 ~ 282MHz	dB	35	38	-
310 ~ 324MHz	dB	40	43	-
324 ~ 339MHz	dB	50	54	-
Temperature coefficient of frequency	ppm/k	-	-36	-

SAW Filter 289.0MHz

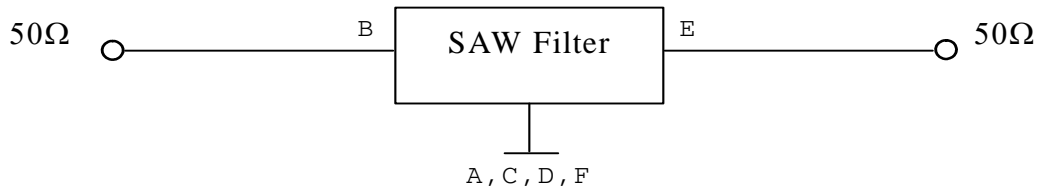
Model: TA1725A

Part No: MP06176

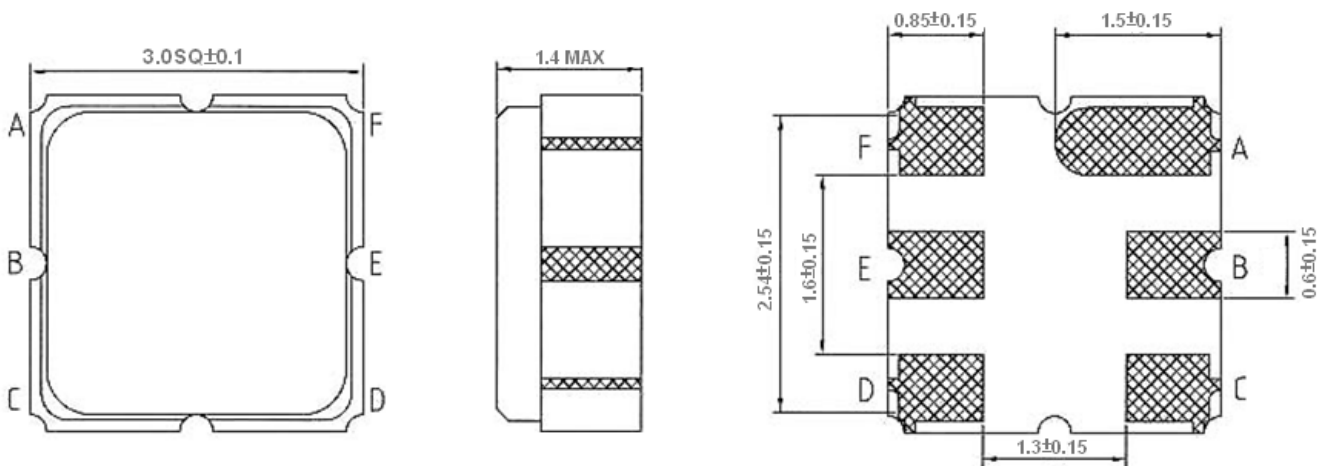
Rev No: 1

C. MEASUREMENT CIRCUIT:

HP Network analyzer

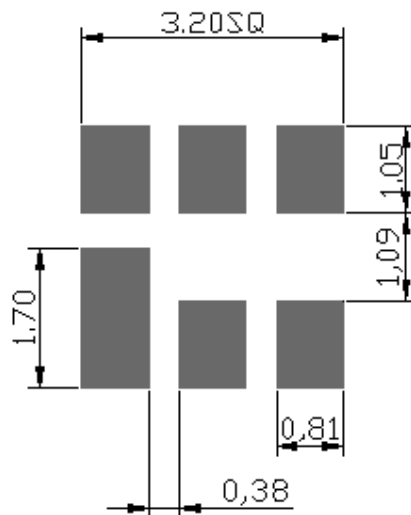


D. OUTLINE DRAWING:



B: Input
 E: Output
 A, C, D, F: Ground
 Unit: mm

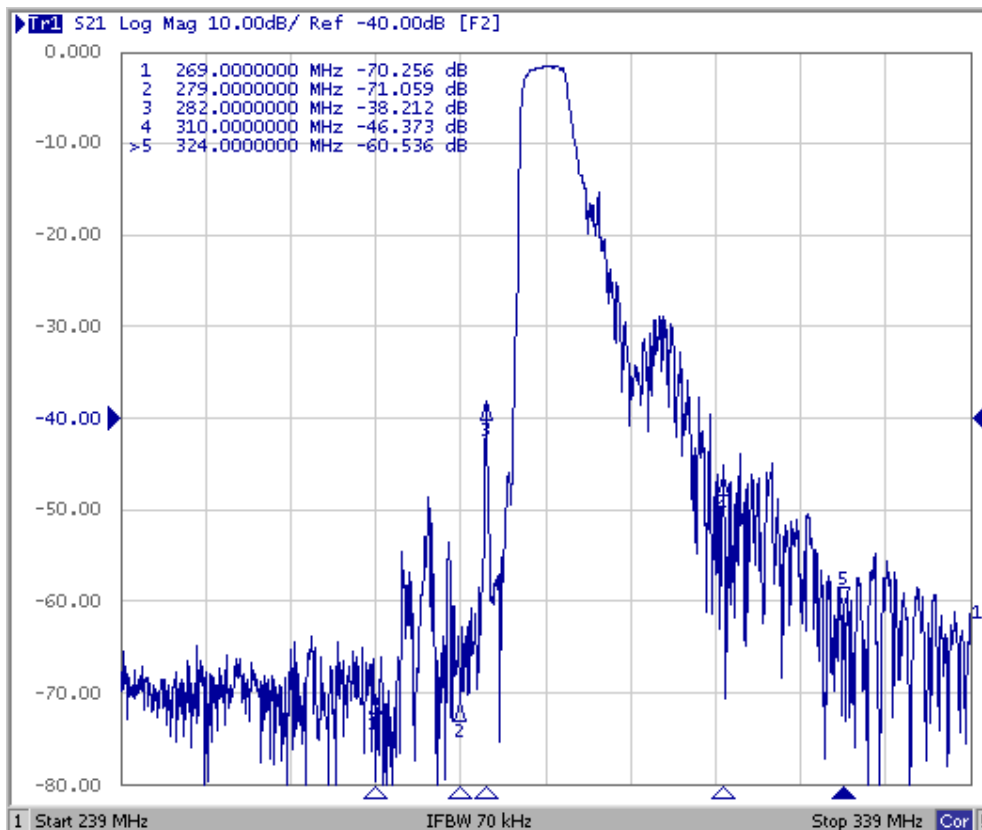
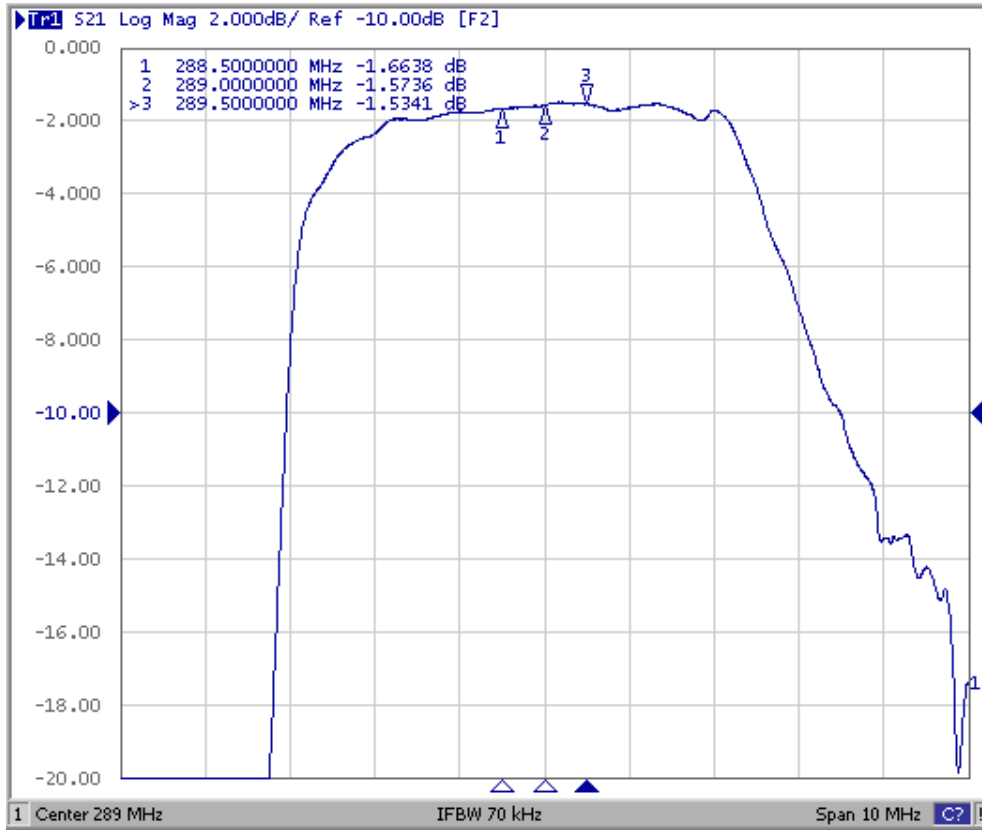
E. PCB FOOTPRINT:



SAW Filter 289.0MHz
Part No: MP06176

Model: TA1725A
Rev No: 1

F. FREQUENCY CHARACTERISTICS:

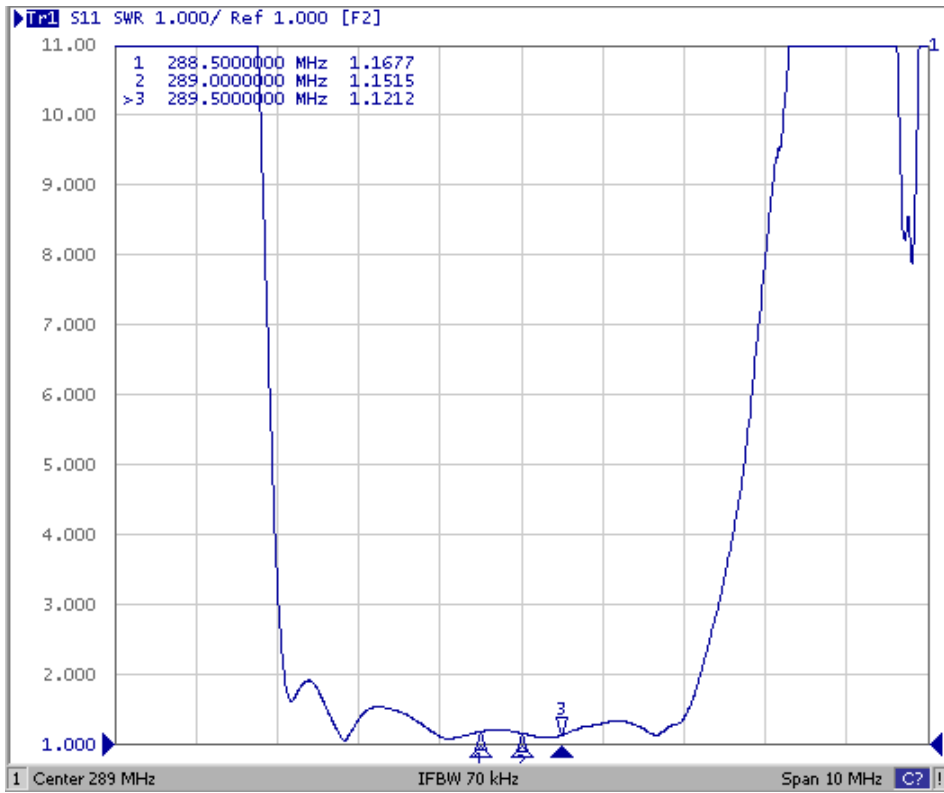


SAW Filter 289.0MHz
Part No: MP06176

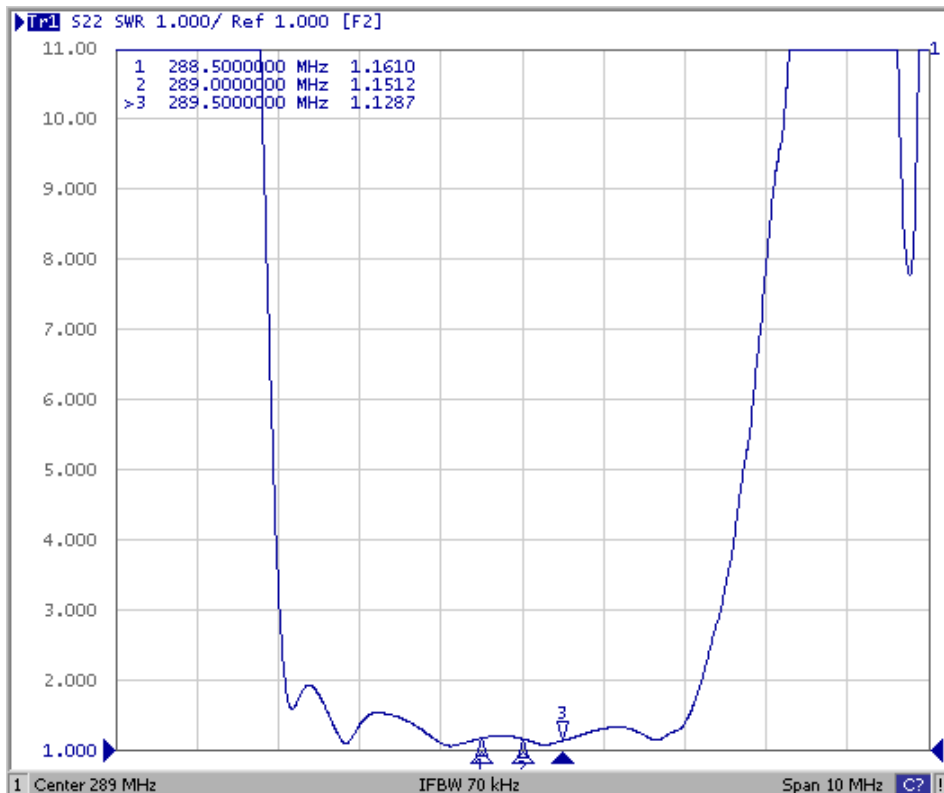
Model: TA1725A
Rev No: 1

Reflection Functions

S11



S22

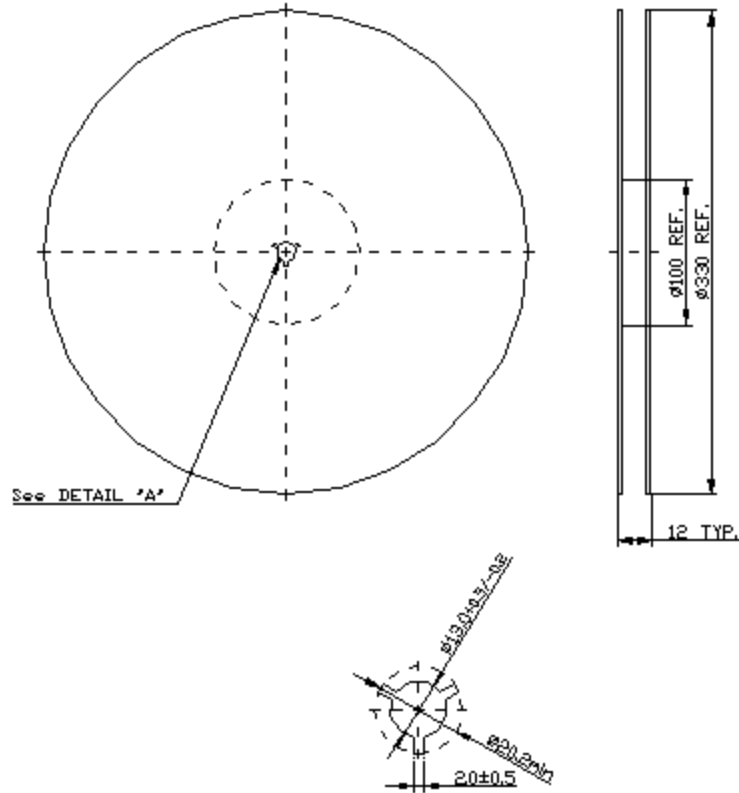


SAW Filter 289.0MHz
Part No: MP06176

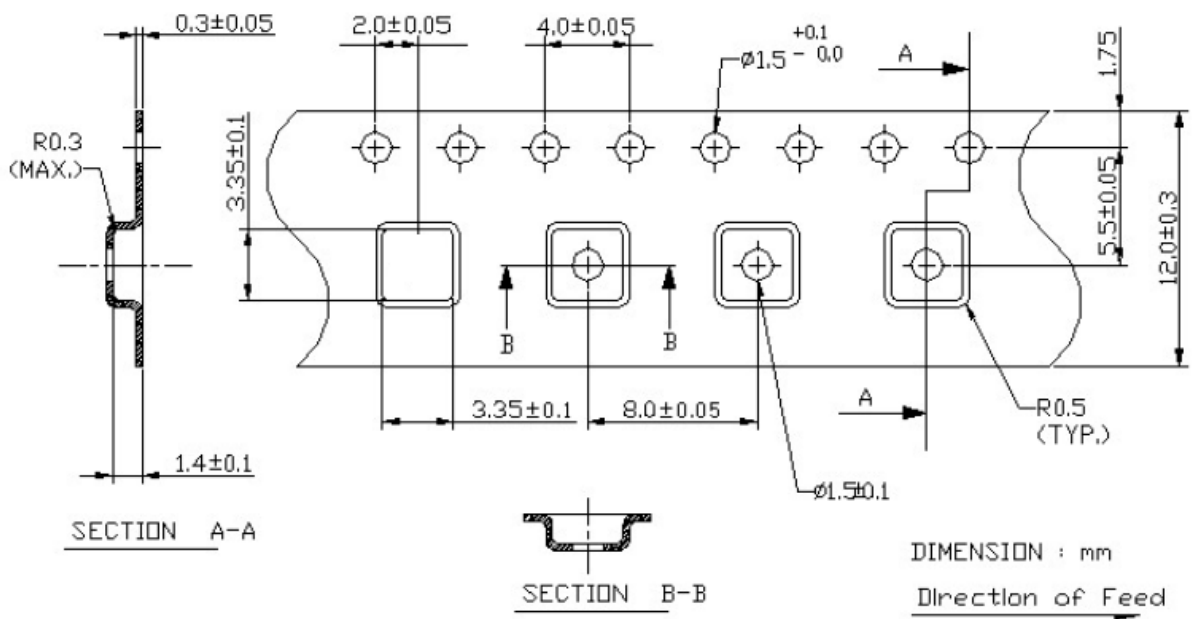
Model: TA1725A
Rev No: 1

G. PACKING:

1. Reel Dimension (Please refer to FR-75D10 for packing quantity)



2. Tape Dimension



SAW Filter 289.0MHz
Part No: MP06176

Model: TA1725A
Rev No: 1

H. RECOMMENDED REFLOW PROFILE:

