

SAW Filter 704.0MHz
Part No: MP06353

Model: TA1360A
Rev No: 1

A. MAXIMUM RATING:

Electrostatic Sensitive Device (ESD)

1. Input Power Level: 10dBm
2. DC voltage: 5V
3. Operating Temperature: -30°C to 60°C
4. Storage Temperature: -40°C to +85°C

B. CHARACTERISTICS:

Item	Unit	Min.	Typ.	Max.
Center frequency Fc	MHz	-	704	-
Amplitude ripple (692 ~ 716MHz)	dB	-	1.3	1.7
Insertion loss, IL (692 ~ 716MHz)	dB	-	2.3	3.0
Group Delay, GD (692 ~ 716MHz)	ns	-	63	200
Bandwidth @ -3dB		24	30	-
Attenuation (reference from 0dB)				
0.3 ~ 629MHz	dB	40	65	-
629 ~ 673MHz	dB	10	55	-
765 ~ 794MHz	dB	10	55	-
794 ~ 1004MHz	dB	40	65	-
1004 ~ 1154MHz	dB	50	64	-
Source impedance ZS	Ω	-	50	-
Load impedance ZL	Ω	-	50	-

Note: No matching network required for operation at 50Ω

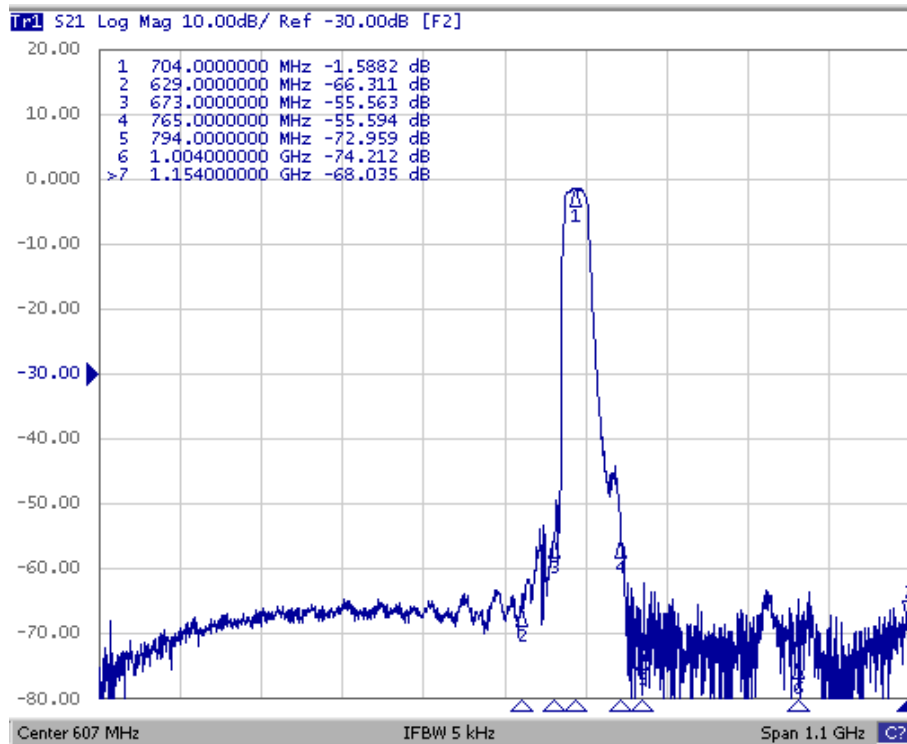
SAW Filter 704.0MHz
Part No: MP06353

Model: TA1360A
Rev No: 1

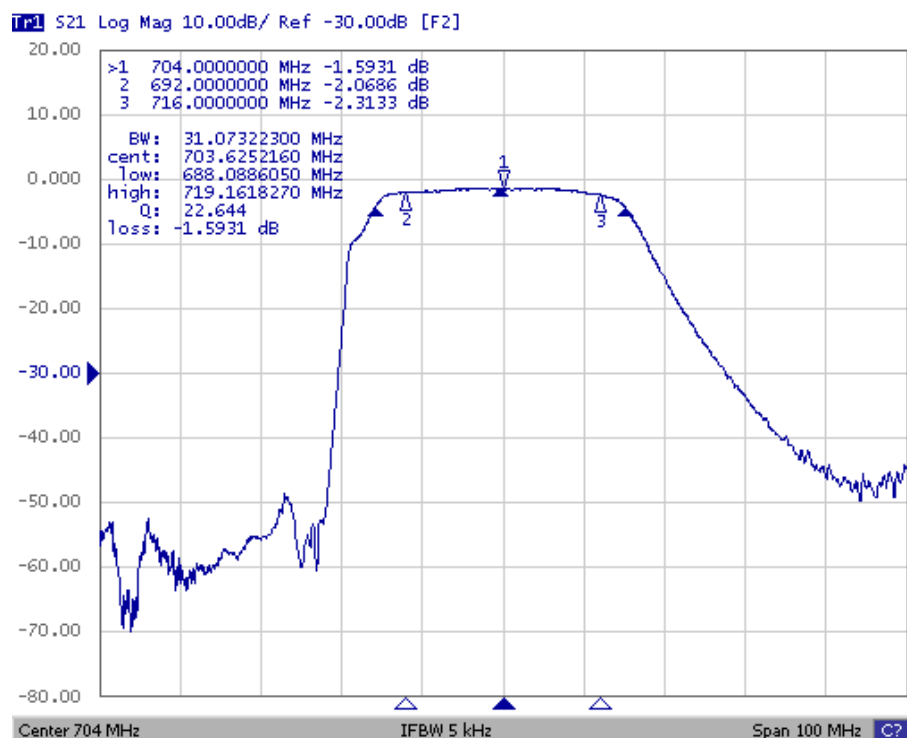
C. FREQUENCY CHARACTERISTICS:

Transfer Function

1. Wideband



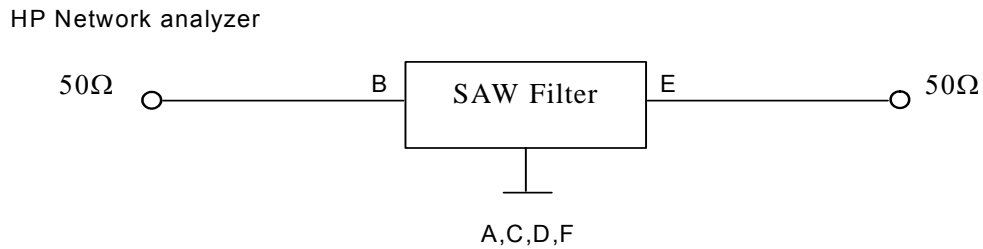
2. Passband



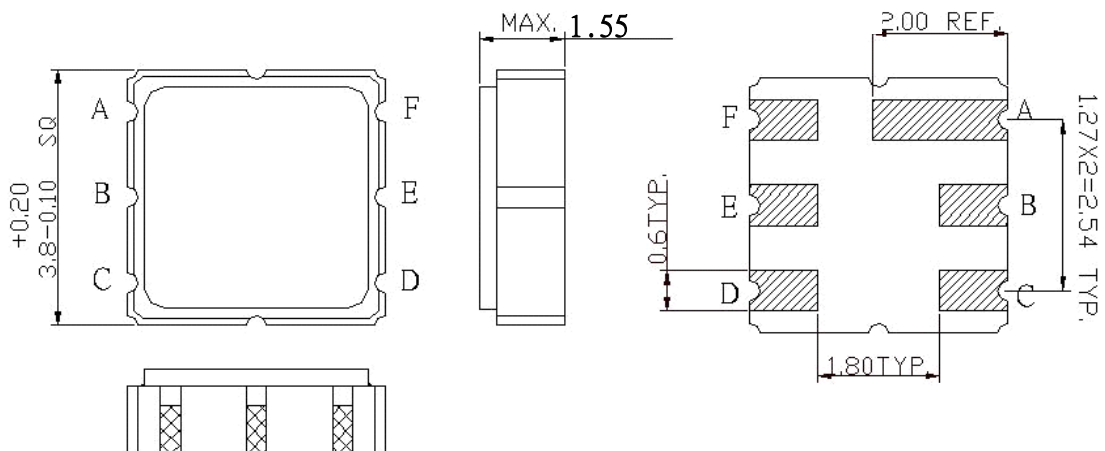
SAW Filter 704.0MHz
Part No: MP06353

Model: TA1360A
Rev No: 1

D. MEASUREMENT CIRCUIT:



E. OUTLINE DRAWING:



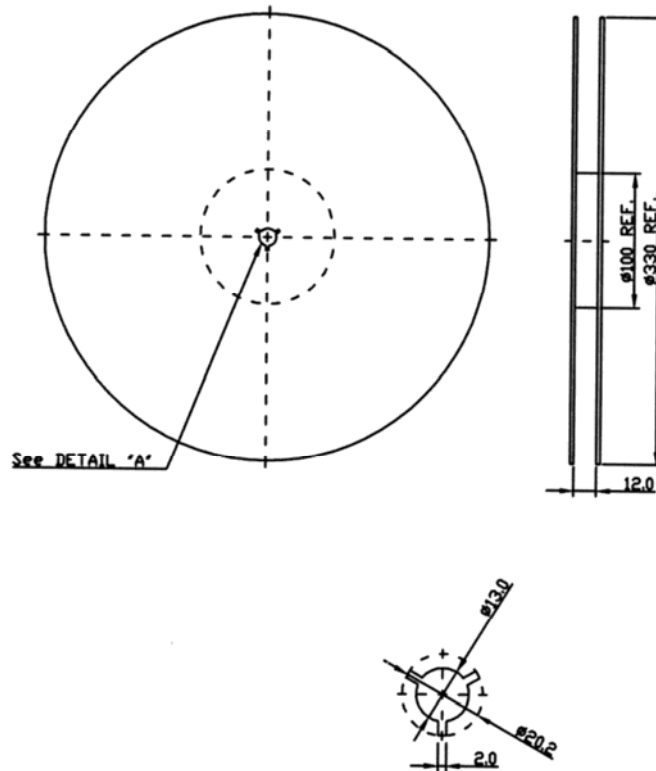
B: Input
E: Output
A, C, D, F: Ground
Unit: mm

SAW Filter 704.0MHz
Part No: MP06353

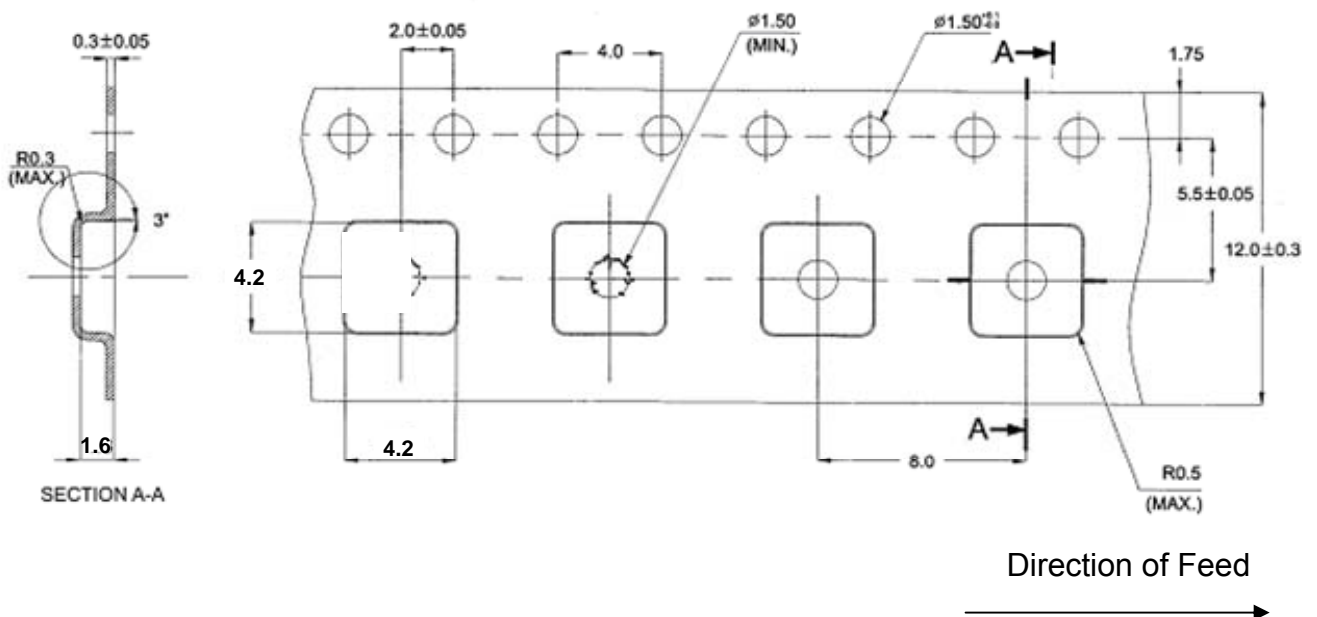
Model: TA1360A
Rev No: 1

F. PACKING:

1. Reel Dimension



2. Tape Dimension



SAW Filter 704.0MHz
Part No: MP06353

Model: TA1360A
Rev No: 1

G. RECOMMENDED REFLOW PROFILE:

