

**SAW Filter 2115.0MHz**  
**Part No: MP06369**

**Model: TA1490A**  
**Rev No: 1**

**A. MAXIMUM RATING:**

Electrostatic Sensitive Device (ESD)

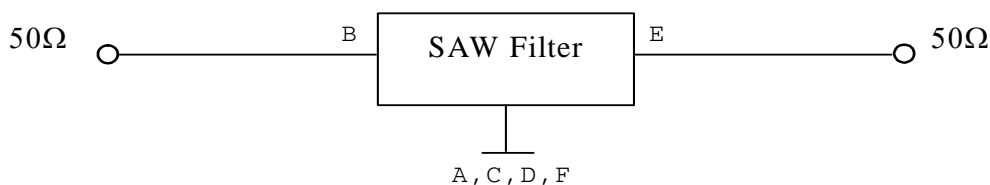
1. Input Power Level: 10dBm
2. DC Voltage: 3V
3. Operating Temperature: -20°C to +70°C
4. Storage Temperature: -40°C to +85°C

**B. ELECTRICAL CHARACTERISTICS:**

Item	Unit	Min.	Typ.	Max.
Center frequency Fc	MHz	-	2115	-
Insertion loss IL (2110 ~ 2120MHz)	dB	-	2	4
Amplitude ripple (2110 ~ 2120MHz)	dB	-	0.4	2
VSWR (2110 ~ 2120MHz)		-	1.3	2.5
Attenuation (reference from 0dB)				
0.3 ~ 1800MHz	dB	18	30	-
1915 ~ 2035MHz	dB	22	36	-
2215 ~ 4000MHz	dB	22	28	-
Source impedance Z <sub>S</sub>	Ω	-	50	-
Load impedance Z <sub>L</sub>	Ω	-	50	-

**C. MEASUREMENT CIRCUIT:**

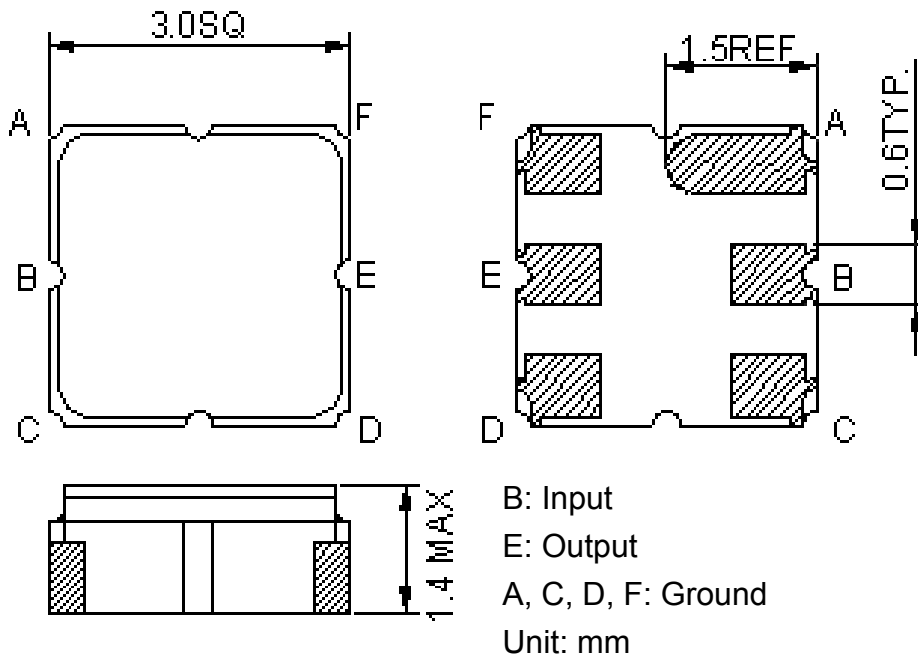
HP Network analyzer



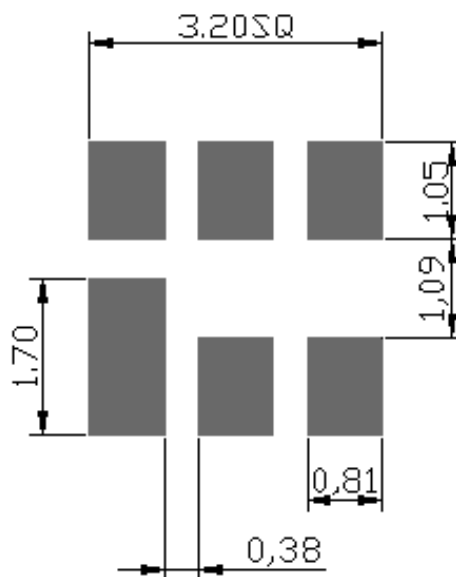
**SAW Filter 2115.0MHz**  
**Part No: MP06369**

**Model: TA1490A**  
**Rev No: 1**

**D. OUTLINE DRAWING:**



**E. PCB FOOTPRINT:**

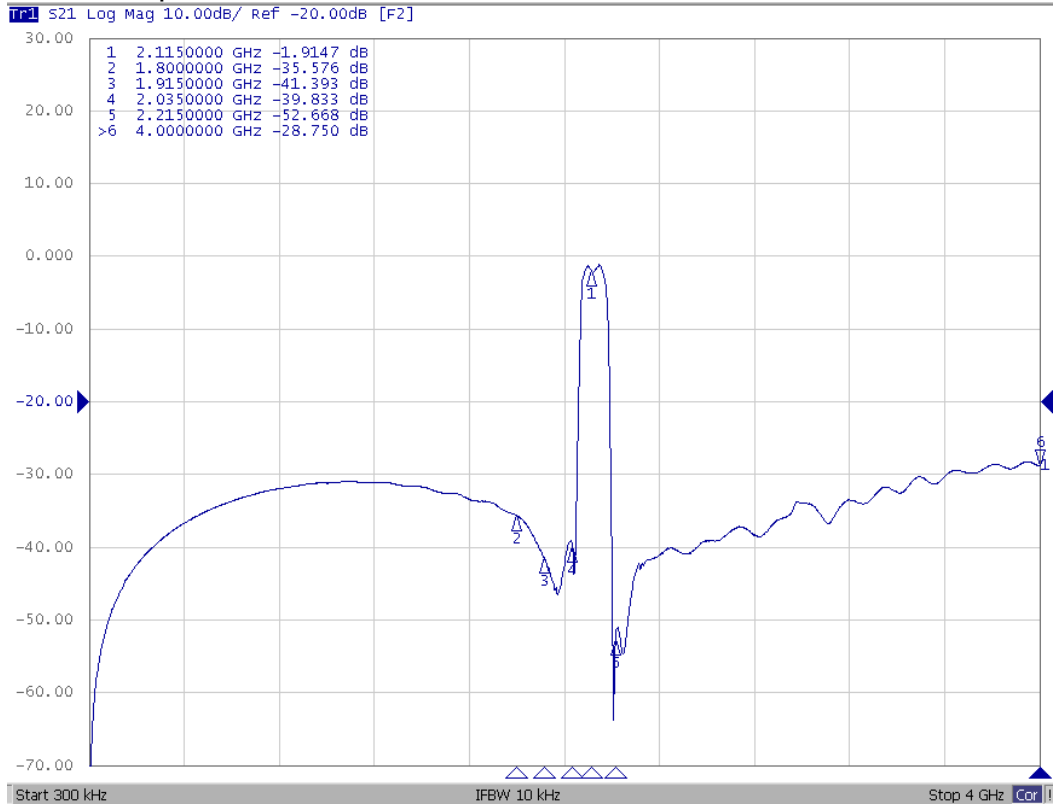


**SAW Filter 2115.0MHz**  
**Part No: MP06369**

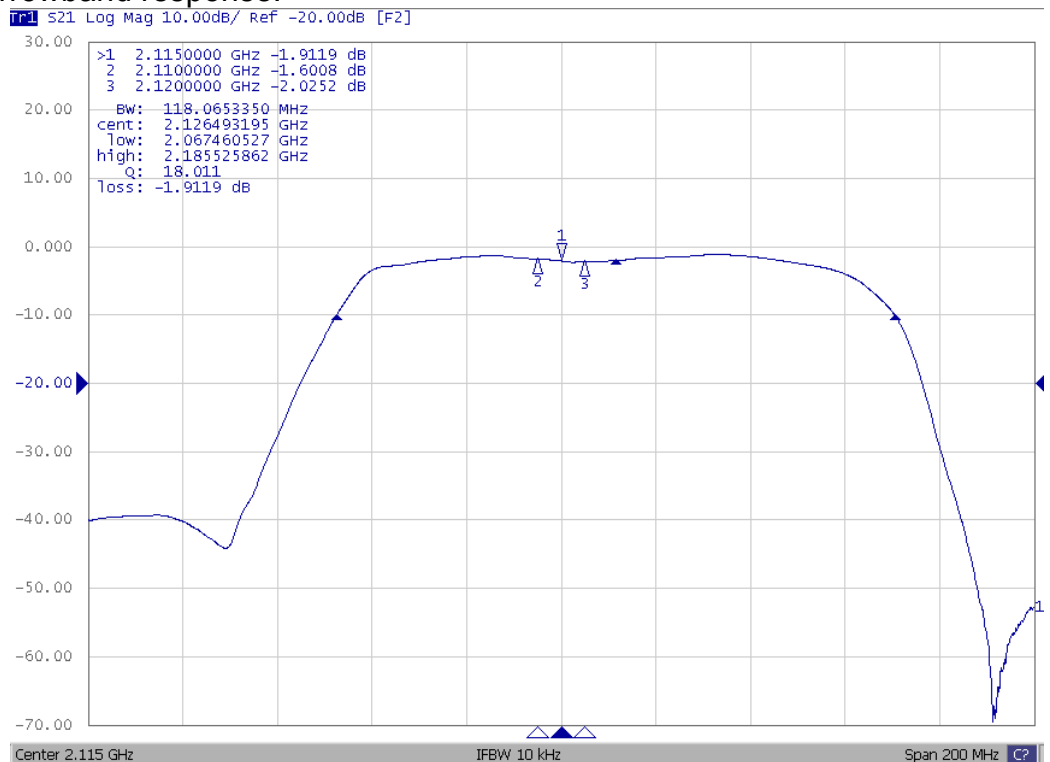
**Model: TA1490A**  
**Rev No: 1**

**F. FREQUENCY CHARACTERISTICS:**

**1. Wideband response:**



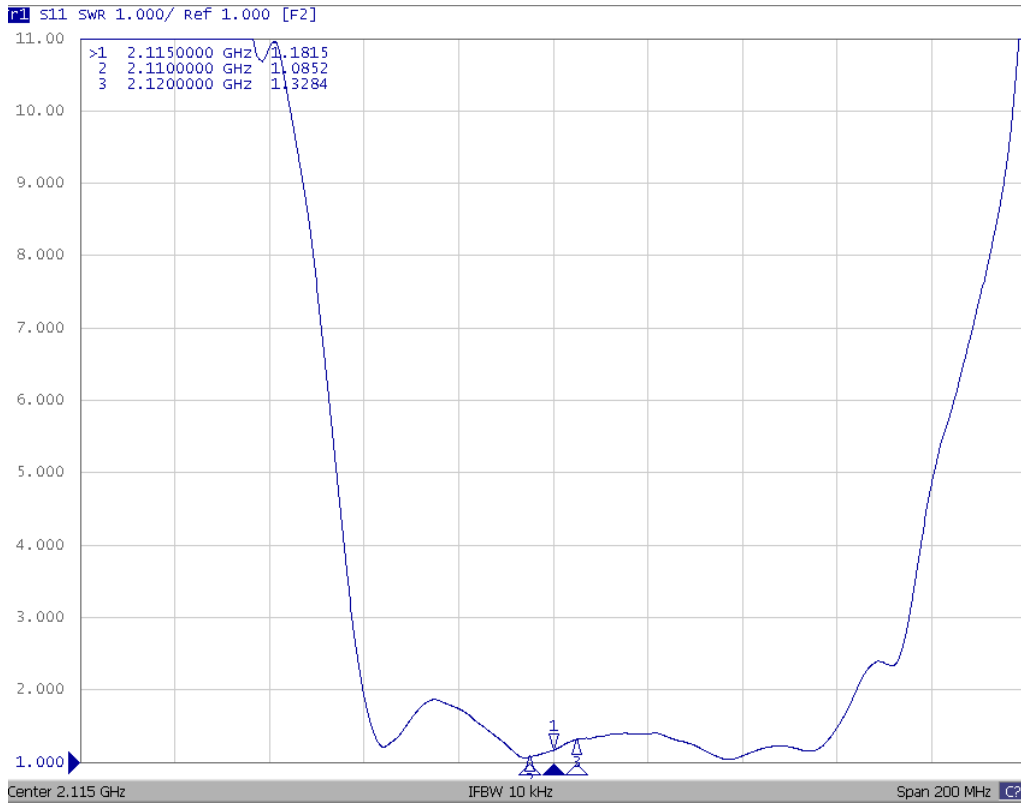
**2. Narrowband response:**



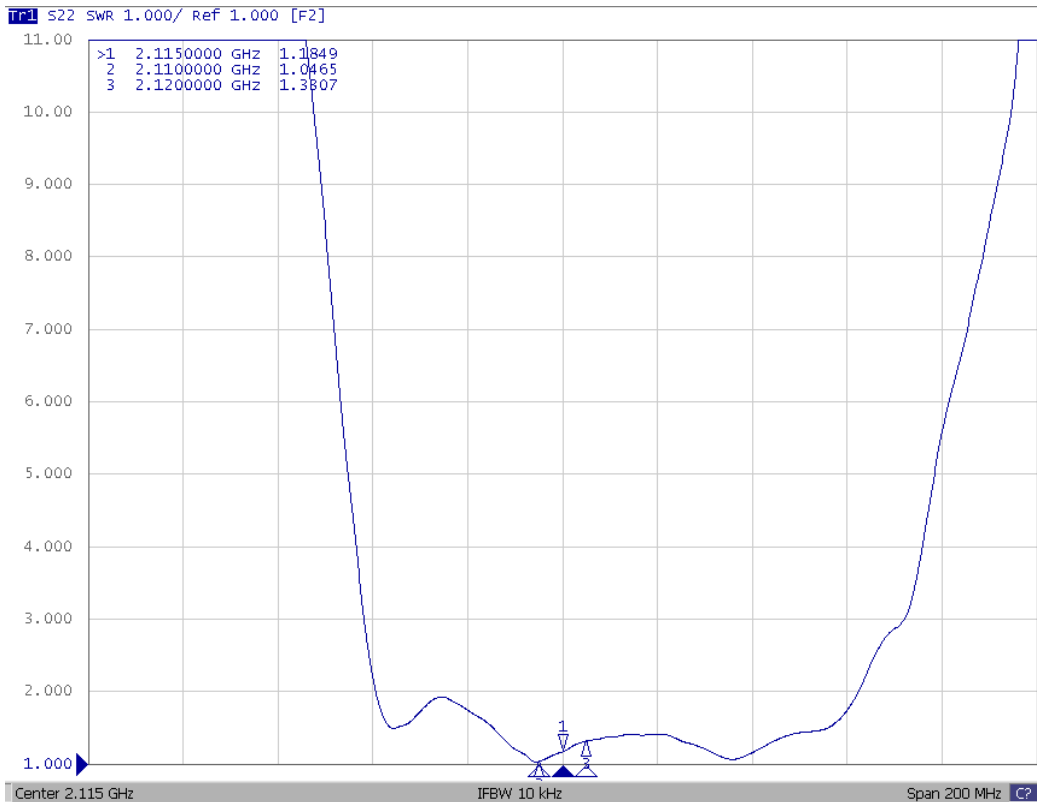
**SAW Filter 2115.0MHz**  
**Part No: MP06369**

**Model: TA1490A**  
**Rev No: 1**

3. VSWR S11:



4. VSWR S22:

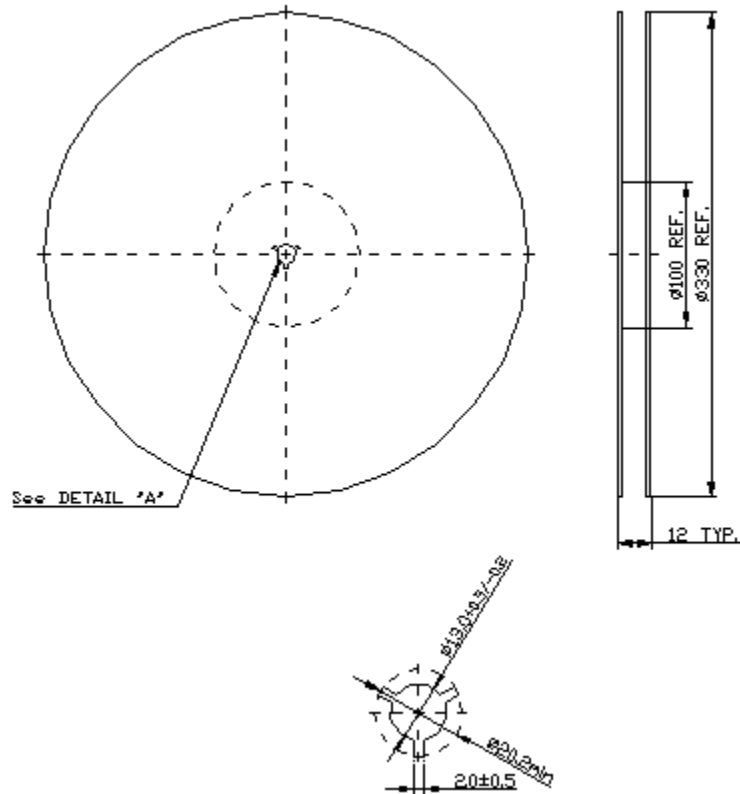


**SAW Filter 2115.0MHz**  
**Part No: MP06369**

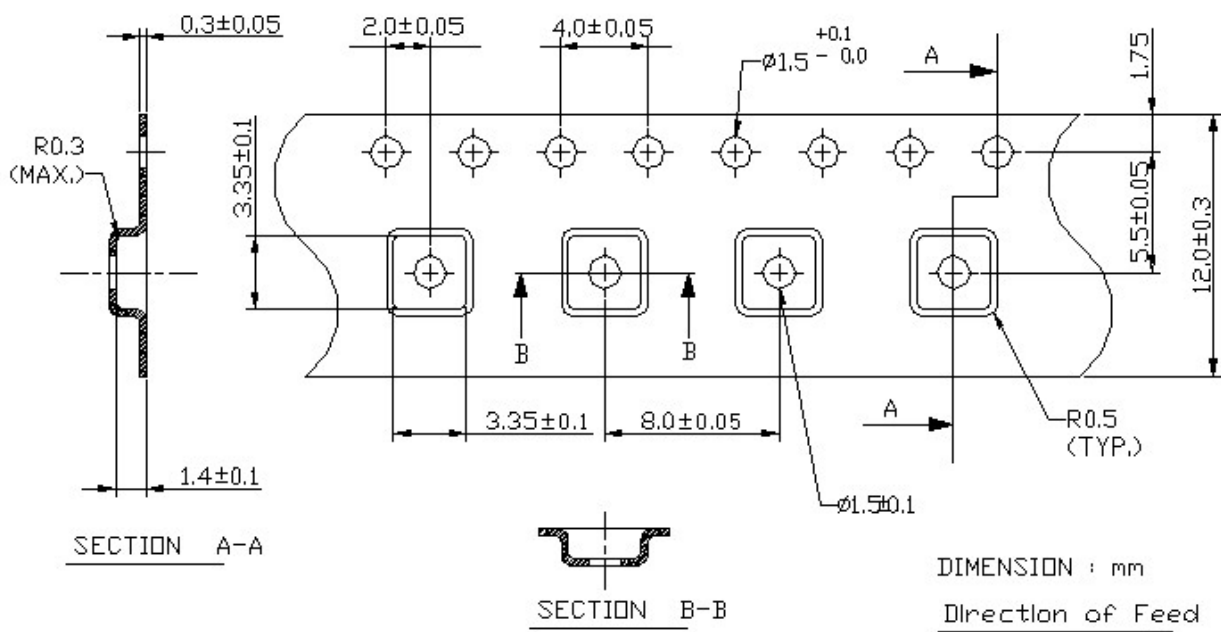
**Model: TA1490A**  
**Rev No: 1**

**G. PACKING:**

1. Reel Dimension (Reel Count: 7" = 1000; 13" = 3000)



2. Tape Dimension



**SAW Filter 2115.0MHz**  
**Part No: MP06369**

**Model: TA1490A**  
**Rev No: 1**

**H. RECOMMENDED REFLOW PROFILE:**

