

SAW Resonator: 868.950MHz
Part No: MP06477

Model: TC0322A
Rev No: 1

A. FEATURES:

1. One - Port Resonator

B. MAXIMUM RATING:

1. Input Power Level: 10dBm
2. DC voltage: 3V
3. Operating Temperature: -40°C to +85°C
4. Storage Temperature: -40°C to +85°C

C. ELECTRICAL CHARACTERISTICS:

1. Reference Temperature $T_A = 25^\circ\text{C}$

Characteristic	Unit	Min.	Typ.	Max.
Center frequency f_c	MHz	868.85	868.95	869.05
Insertion Loss IL	dB	-	1.25	2.5
Unload quality factor QU		-	9800	-
Ageing of f_c	ppm / yr	-	-	± 10
Motional capacitance C1	fF	-	0.98	-
Motional inductance L1	μH	-	35.93	-
Motional resistance R1	Ohm	-	20	-
Parallel capacitance C_0	pF	-	2.16	-
Frequency Temperature coefficient (TCf)	ppm/c*2	-	0.032	-
Turnover T_0	deg. C	-	25	-
Package size	SMD 3 x 3 x 1.1mm			

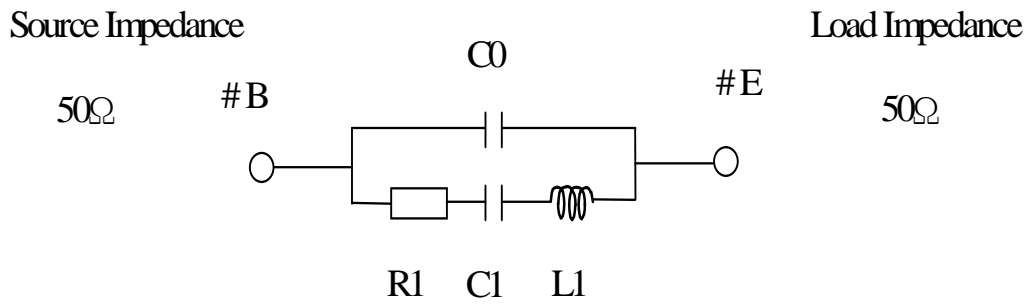
Temperature dependence of f_c : $f_c(T_A) = f_c(T_0) (1 + TC_f(T_A - T_0)^2)$

SAW Resonator: 868.950MHz
Part No: MP06477

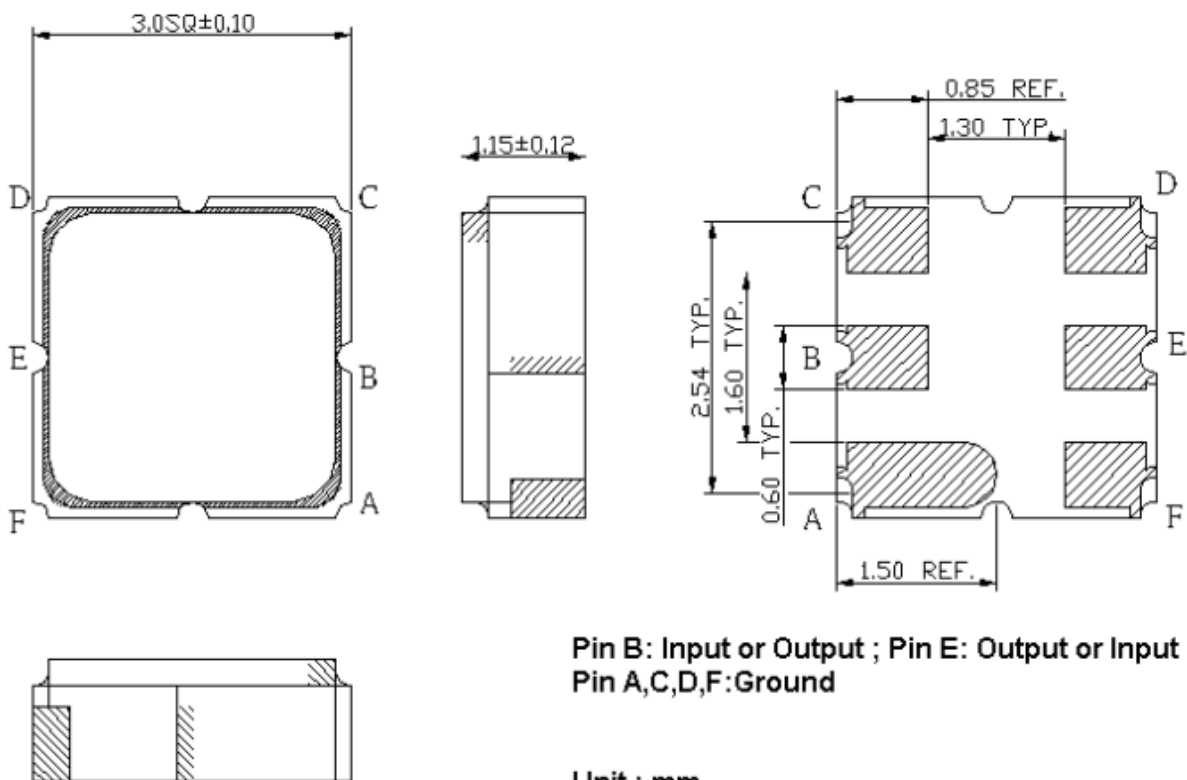
Model: TC0322A
Rev No: 1

D. EQUIVRENT CIRCUIT:

One-Port Resonator:



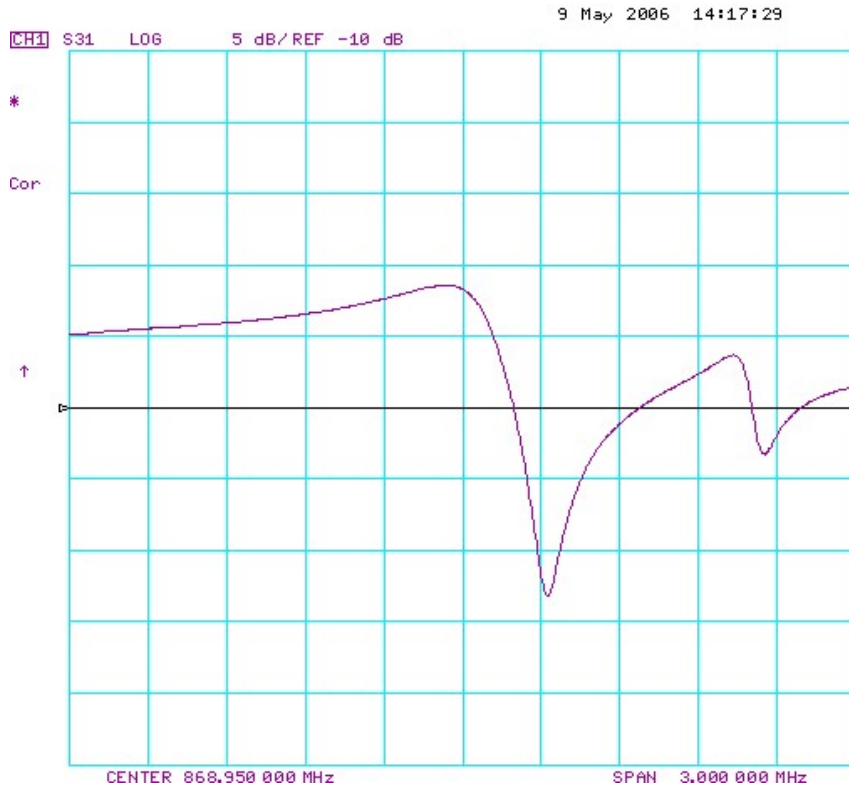
E. OUTLINE DRAWING:



SAW Resonator: 868.950MHz
Part No: MP06477

Model: TC0322A
Rev No: 1

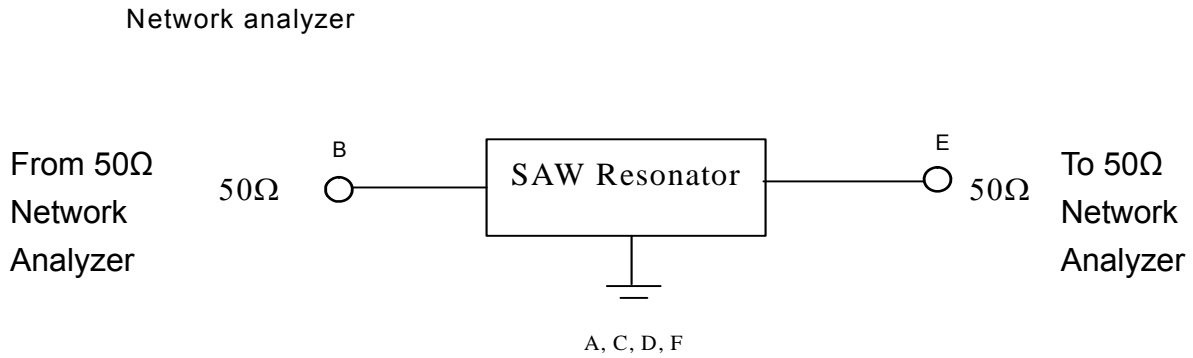
F. FREQUENCY CHARACTERISTICS:



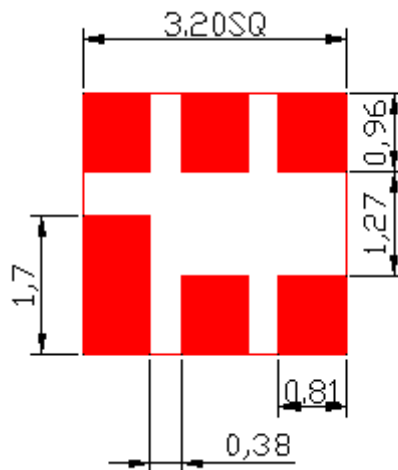
SAW Resonator: 868.950MHz
Part No: MP06477

Model: TC0322A
Rev No: 1

G. TEST CIRCUIT:



H. LAND PATTERN:

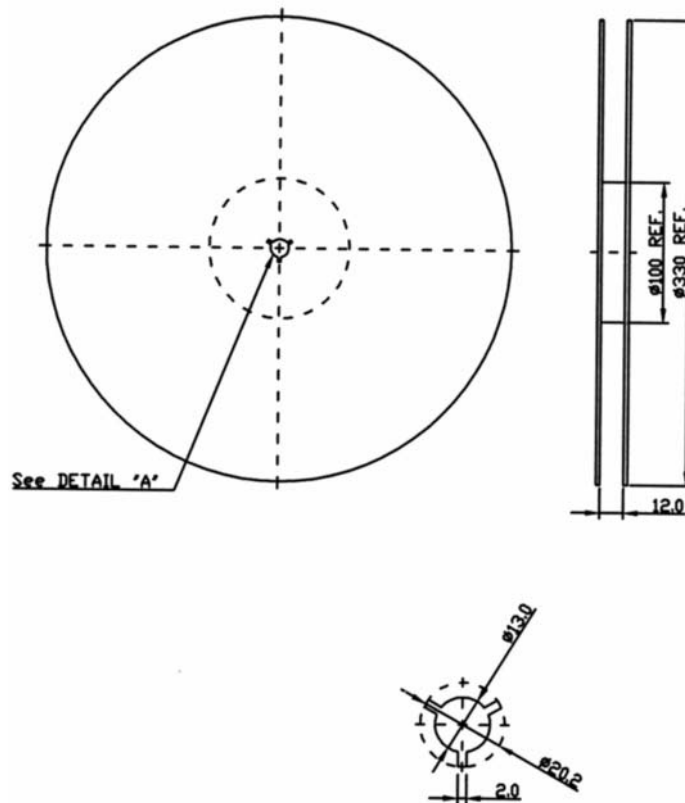


SAW Resonator: 868.950MHz
Part No: MP06477

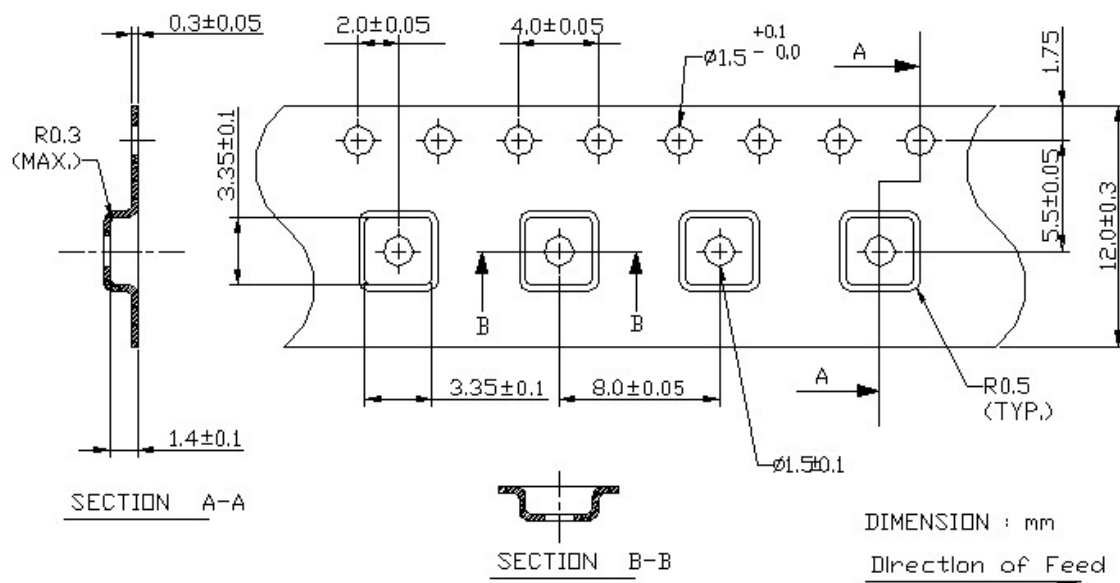
Model: TC0322A
Rev No: 1

I. PACKING:

1. Reel Dimension



2. Tape Dimension



SAW Resonator: 868.950MHz
Part No: MP06477

Model: TC0322A
Rev No: 1

J. RECOMMENDED REFLOW PROFILE:

