

SAW Filter 445.0MHz
Part No: MP06630

Model: TA1676A
Rev No: 1

A. MAXIMUM RATING:

Electrostatic Sensitive Device (ESD)

1. Input Power Level: 10dBm
2. DC Voltage: 5V
3. Operating Temperature: -30°C to +70°C
4. Storage Temperature: -40°C to +85°C

B. ELECTRICAL CHARACTERISTICS:

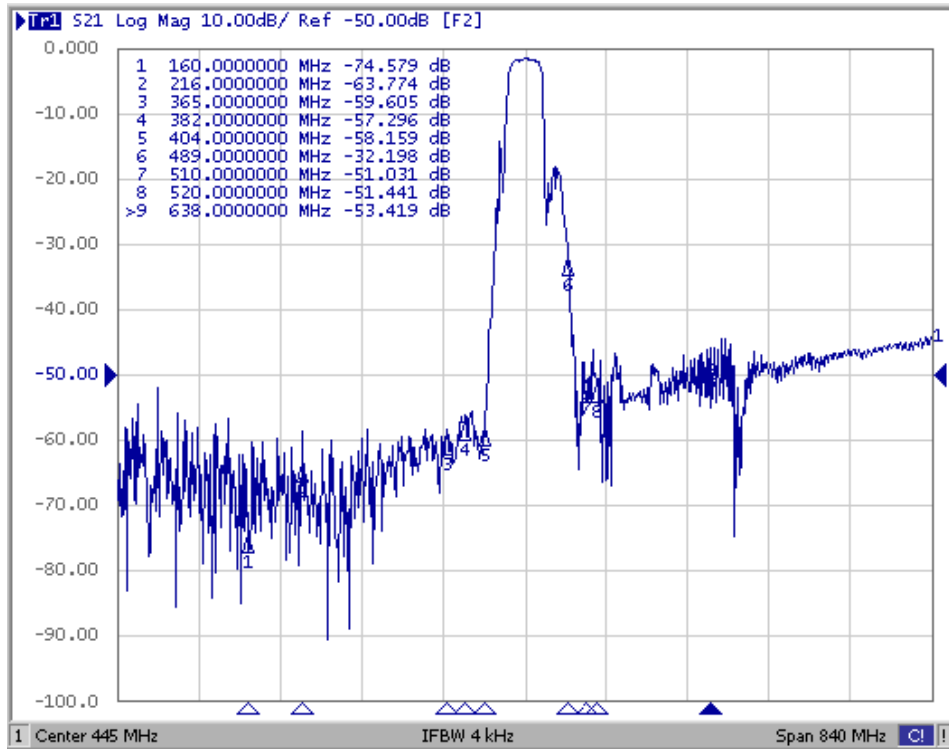
Item	Unit	Min.	Typ.	Max.
Center frequency Fc MHz		-	445	-
1dB Bandwidth MHz	dB	20	29	-
VSWR	dB		1.6	2.0
Insertion loss 435 ~ 455MHz	dB	-	2.0	3.3
Attenuation (reference from 0dB)				
10 ~ 160MHz	dB	35	52	-
216 ~ 365MHz	dB	30	58	-
365 ~ 382MHz	dB	25	56	-
382 ~ 404MHz	dB	15	55	-
489 ~ 510MHz	dB	15	32	-
510 ~ 520MHz	dB	25	46	-
520 ~ 638MHz	dB	30	45	-
638 ~ 850MHz	dB	27	44	-
Source impedance Z _S	Ω	-	50	-
Load impedance Z _L	Ω	-	50	-

SAW Filter 445.0MHz
Part No: MP06630

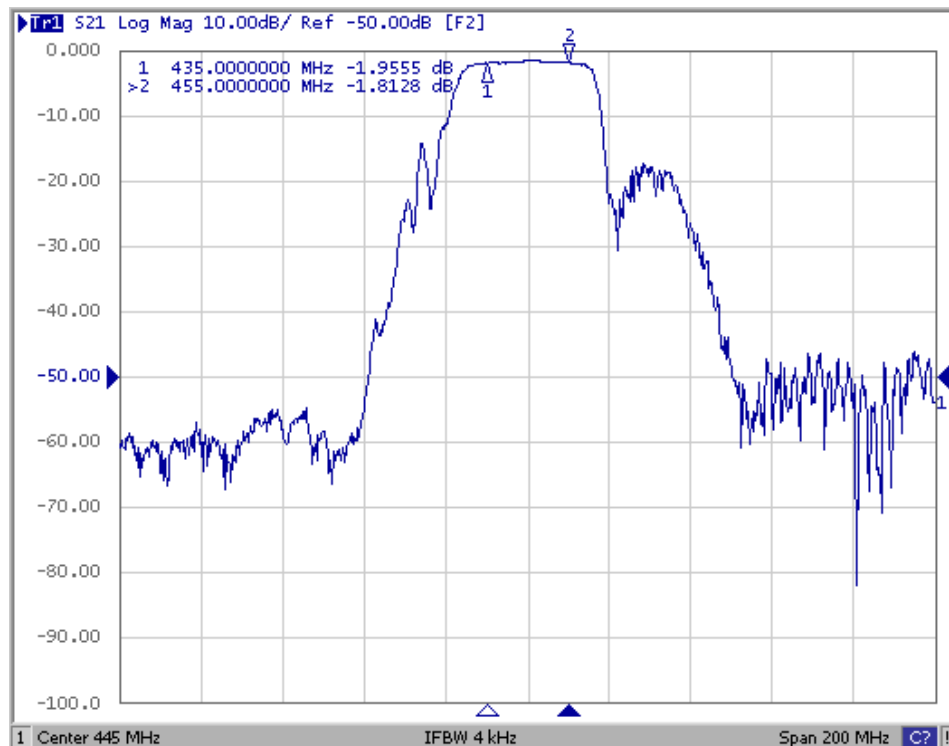
Model: TA1676A
Rev No: 1

C. FREQUENCY CHARACTERISTICS:

1. Wideband response: (span 840MHz)



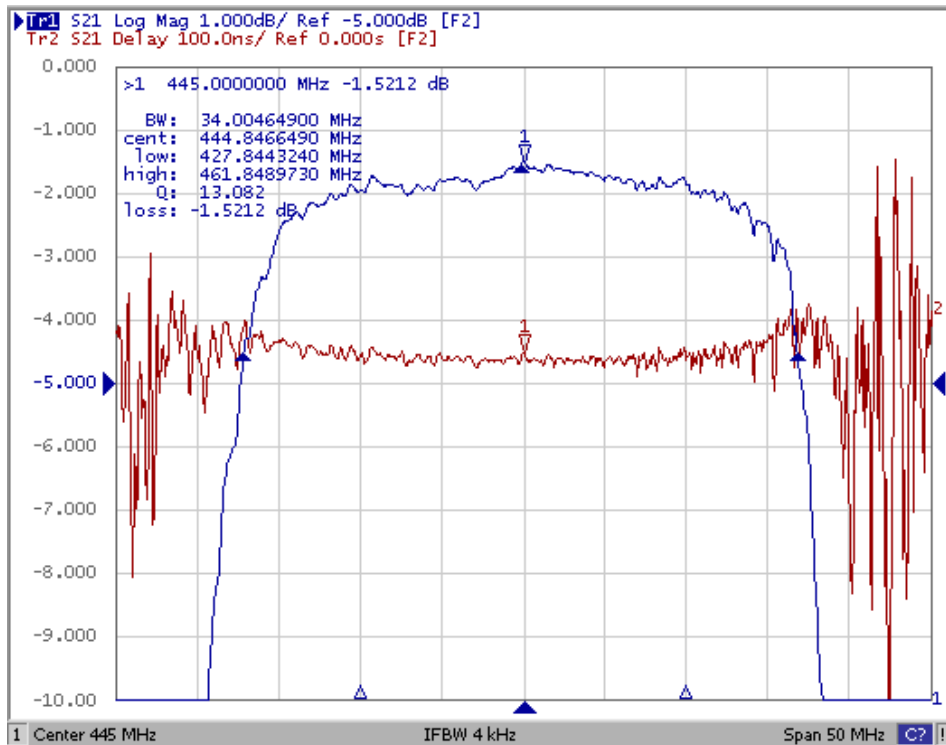
2. S21 response: (span 200MHz)



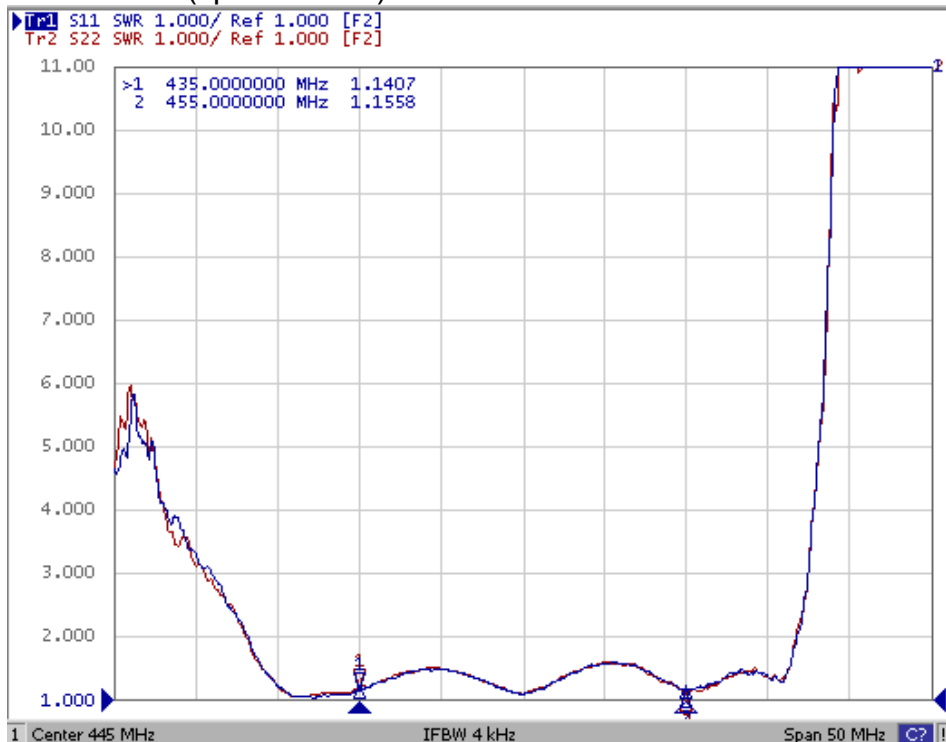
SAW Filter 445.0MHz
Part No: MP06630

Model: TA1676A
Rev No: 1

3. Passband response: (span 50MHz)



4. S11 & S22 VSWR: (span 50MHz)

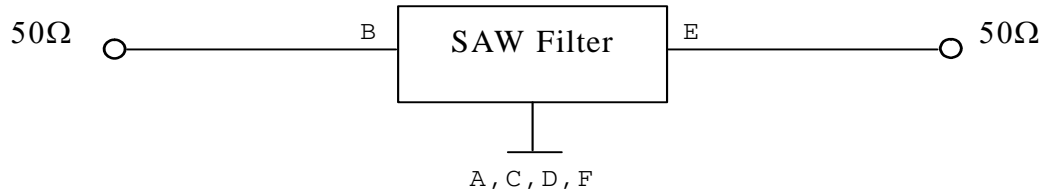


SAW Filter 445.0MHz
Part No: MP06630

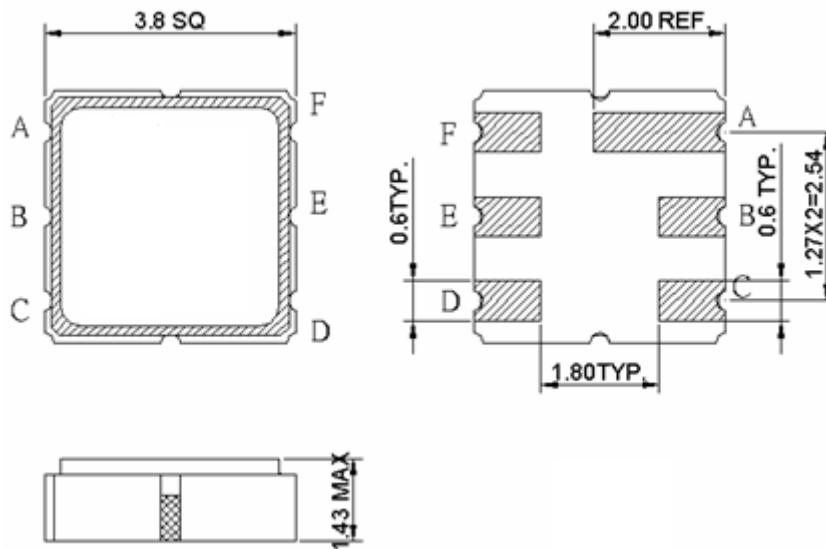
Model: TA1676A
Rev No: 1

D. MEASUREMENT CIRCUIT:

HP Network analyzer

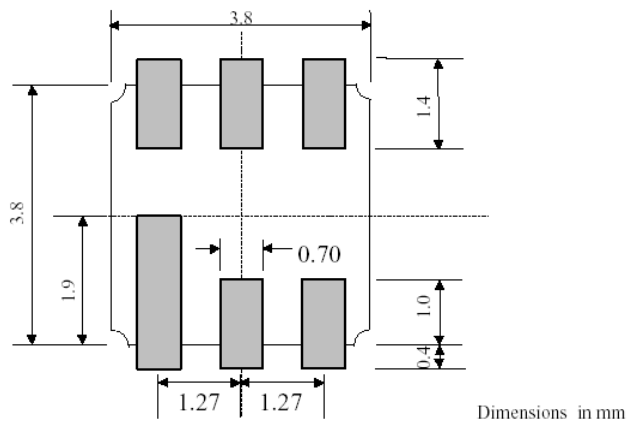


E. OUTLINE DRAWING:



B: Input
 E: Output
 A, C, D, F: Ground
 Unit: mm

F. PCB FOOTPRINT:

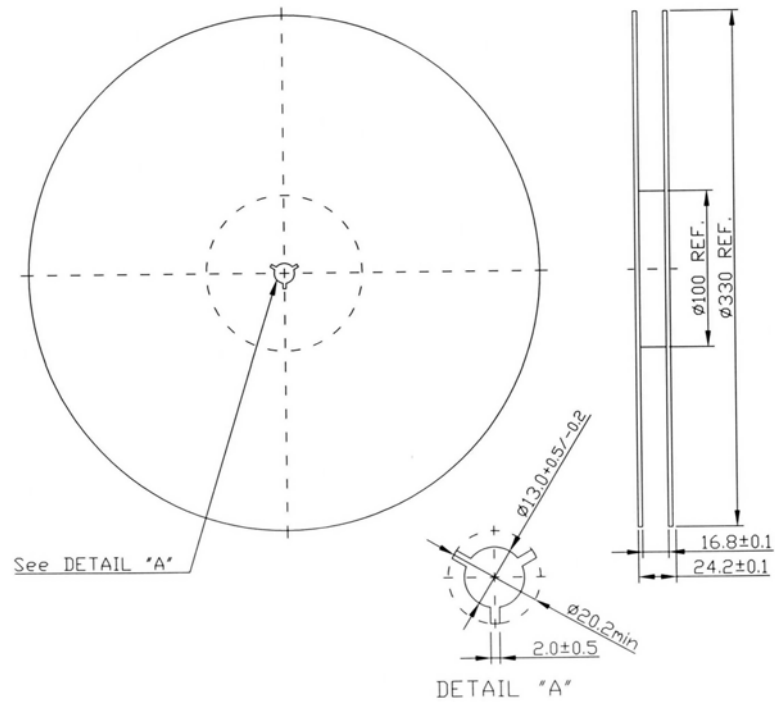


SAW Filter 445.0MHz
Part No: MP06630

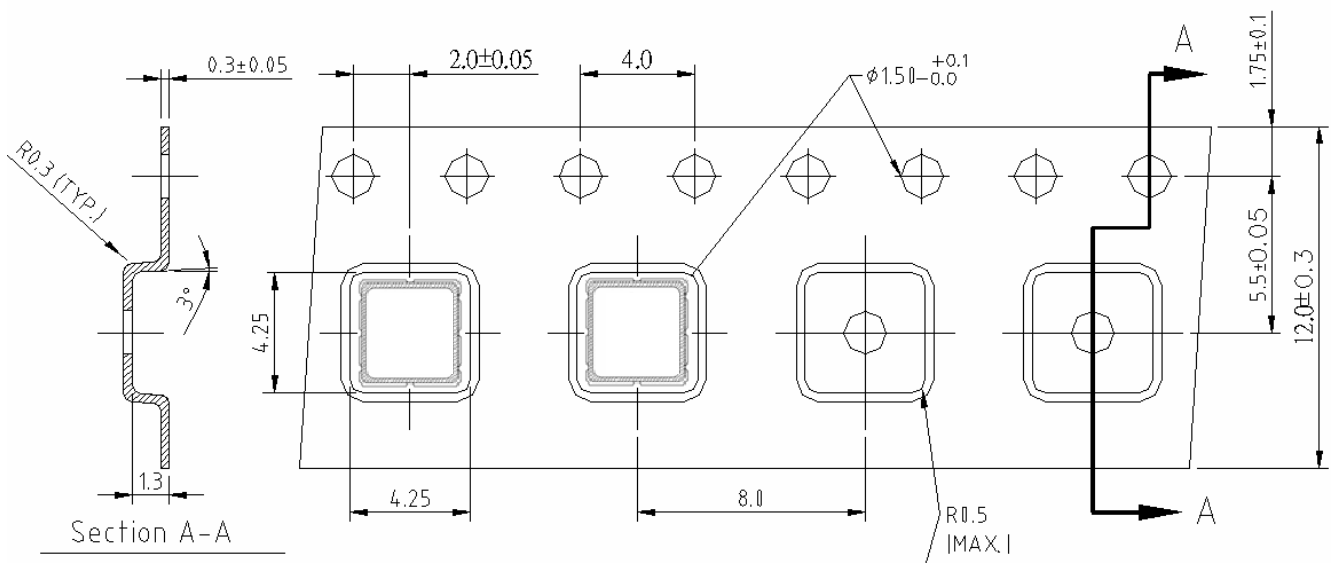
Model: TA1676A
Rev No: 1

G. PACKING:

1. Reel Dimension



2. Tape Dimension



SAW Filter 445.0MHz
Part No: MP06630

Model: TA1676A
Rev No: 1

H. RECOMMENDED REFLOW PROFILE:

