

SAW Filter 433.920MHz
Part No: MP06772

Model: TA1728A
Rev No: 2

A. MAXIMUM RATING:

Electrostatic Sensitive Device (ESD)

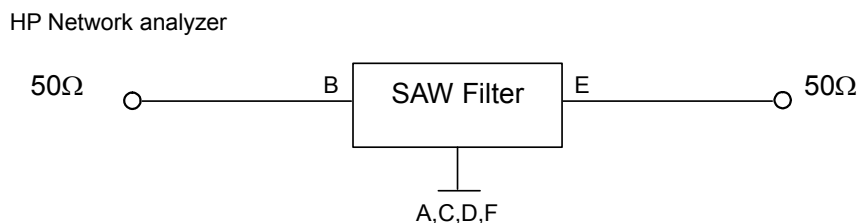
1. Input Power Level: 20dBm
2. DC voltage: 3V
3. Operating Temperature: -40°C to 85°C
4. Storage Temperature: -40°C to +85°C

B. CHARACTERISTICS:

Item	Unit	Min.	Typ.	Max.
Center frequency Fc	MHz	-	433.92	-
Insertion loss 433.12 ~ 434.72MHz IL	dB	-	2.2	2.9
Amplitude ripple 433.12 ~ 434.72MHz	dB	-	0.4	1.0
VSWR S11 S22	-	-	1.6	2.0
Attenuation (Reference level from 0dB)				
10.0 ~ 380.00MHz	dB	58	61	-
380.00 ~ 423.42MHz	dB	46	50	-
423.42 ~ 427.00MHz	dB	4	16	-
443.42 ~ 453.42MHz	dB	25	30	-
453.42 ~ 460.00MHz	dB	35	40	-
460.00 ~ 700.00MHz	dB	50	54	-
700.00 ~ 1000.00MHz	dB	42	46	-
Source impedance Z _S	Ω	-	50	-
Load impedance Z _L	Ω	-	50	-

Note: No matching network required for operation at 50Ω

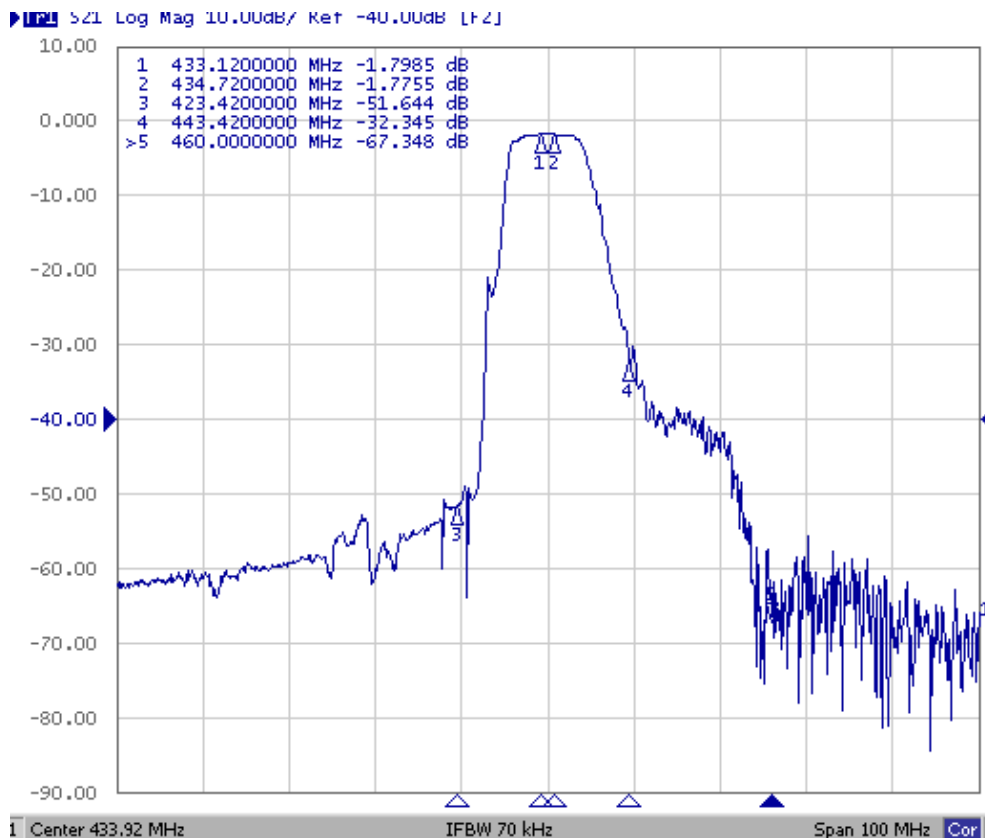
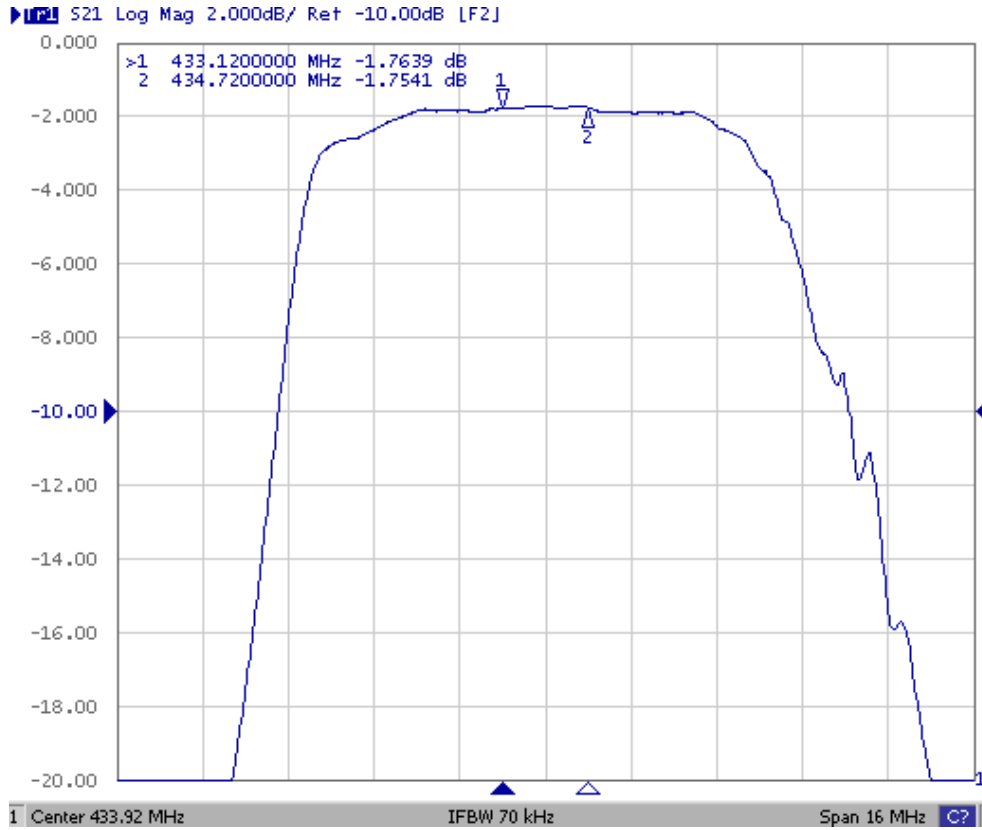
C. MEASUREMENT CIRCUIT:



SAW Filter 433.920MHz
Part No: MP06772

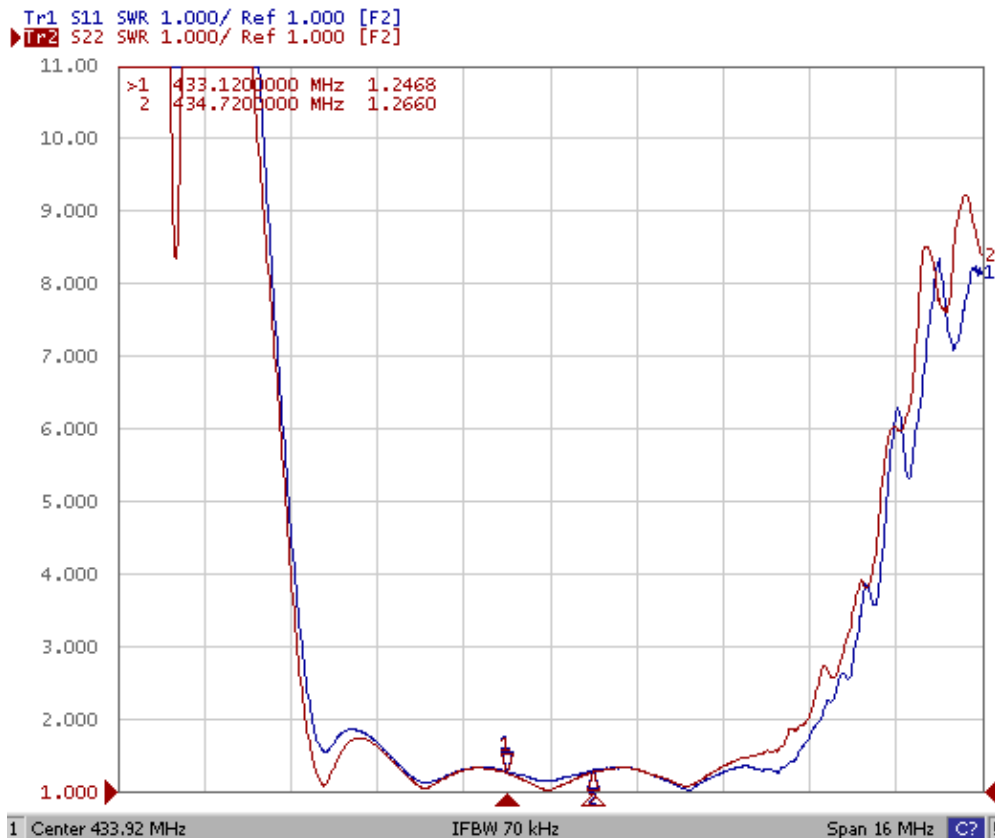
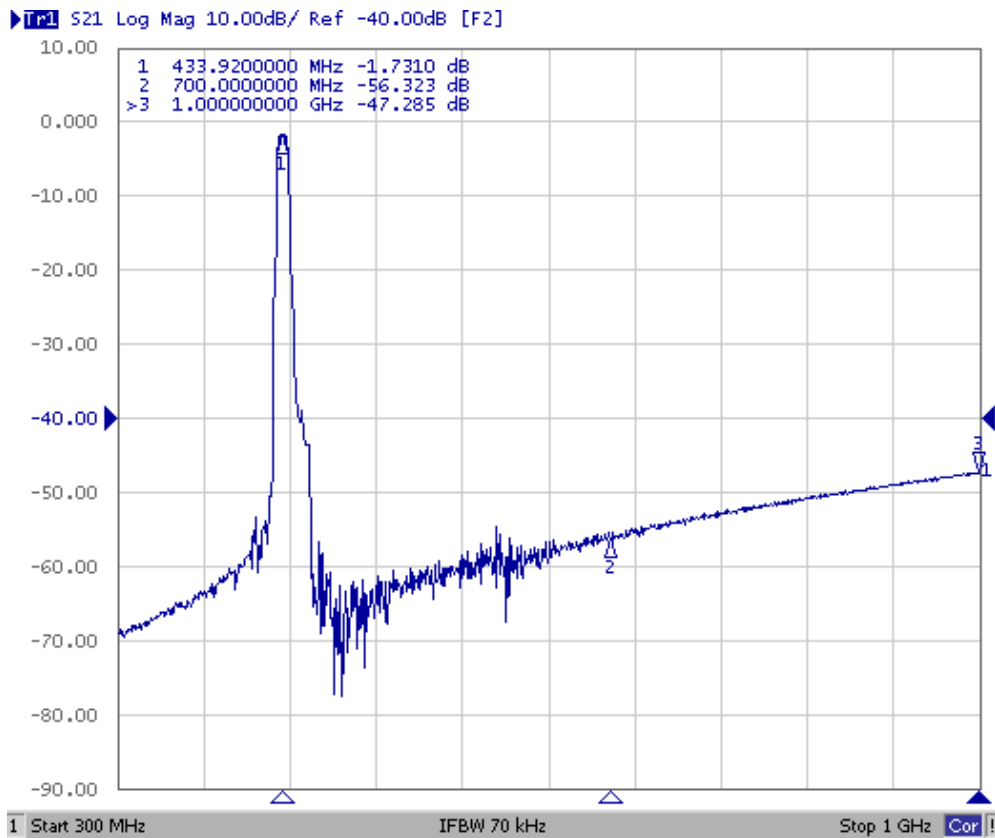
Model: TA1728A
Rev No: 2

D. FREQUENCY CHARACTERISTICS:



SAW Filter 433.920MHz
Part No: MP06772

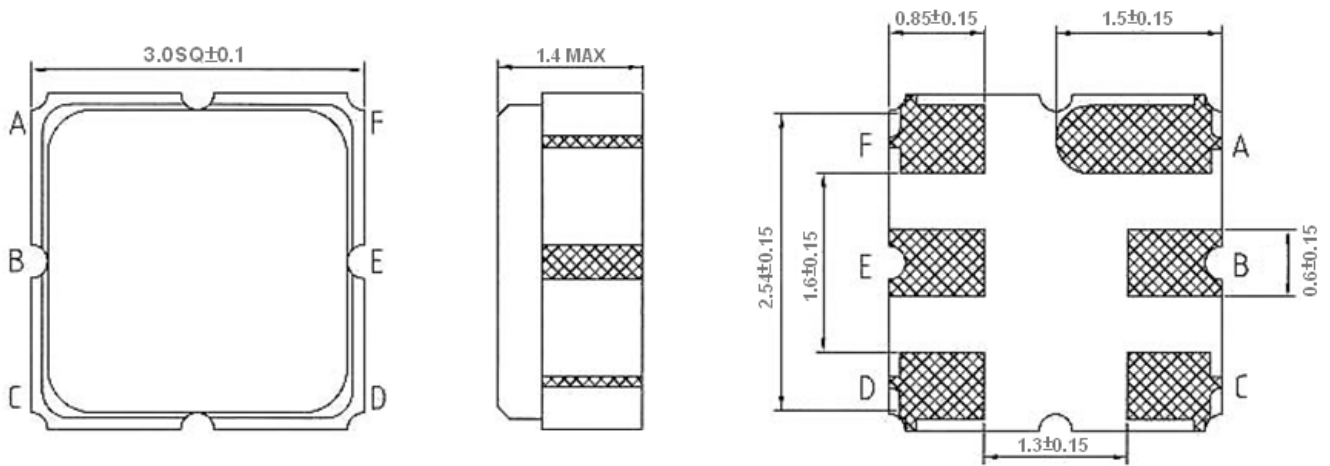
Model: TA1728A
Rev No: 2



SAW Filter 433.920MHz
Part No: MP06772

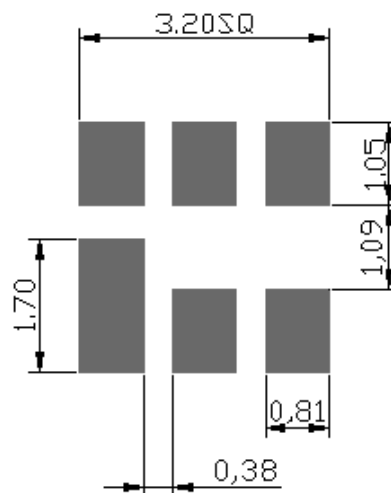
Model: TA1728A
Rev No: 2

E. OUTLINE DRAWING:



B: Input
E: Output
A, C, D, F: Ground
Unit: mm

F. PCB FOOTPRINT:

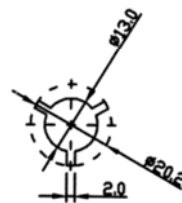
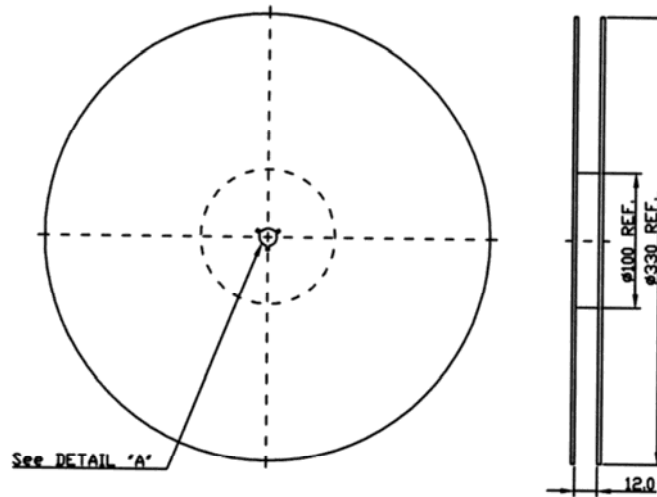


SAW Filter 433.920MHz
Part No: MP06772

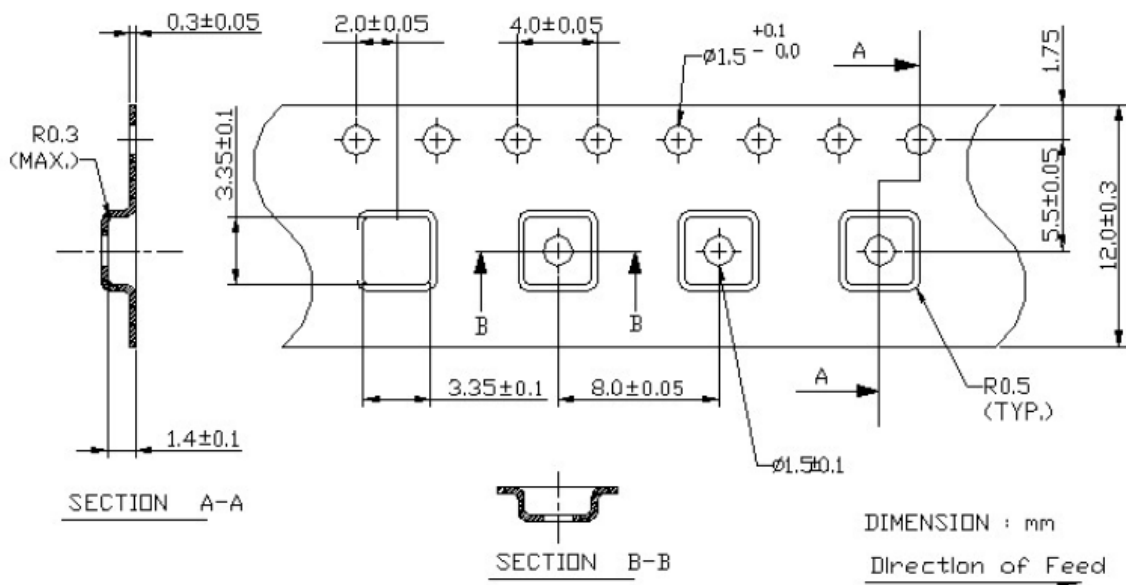
Model: TA1728A
Rev No: 2

G. PACKING:

1. Reel Dimension (Please refer to FR-75D10 for packing quantity)



2. Tape Dimension



SAW Filter 433.920MHz
Part No: MP06772

Model: TA1728A
Rev No: 2

H. RECOMMENDED REFLOW PROFILE:

