

**SAW Filter 422.20MHz**  
**Part No: MP06788**

**Model: TA1603A**  
**Rev No: 1**

**A. MAXIMUM RATING:**

Electronic Sensitive Device (ESD)

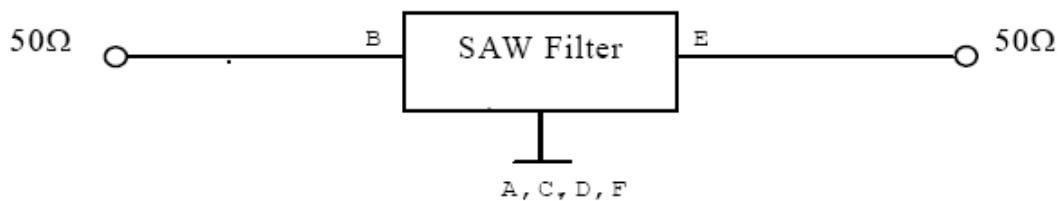
1. Input Power Level: 20dBm
2. DC Voltage: 7.5 V
3. Operating Temperature: -10°C to +60°C
4. Storage Temperature: -20°C to +70°C

**B. ELECTRICAL CHARACTERISTICS:**

Item	Unit	Min.	Typ.	Max.
Center frequency Fc	MHz	-	422.2	-
Insertion Loss (421.575 ~ 422.3MHz) IL	dB	-	1.7	2.5
Amplitude Ripple (421.575 ~ 422.3MHz)	dB	-	0.1	1.5
Attenuation (Reference level from 0dB)				
400.8MHz	dB	45	78	-
443.6MHz	dB	35	48	-
Temperature Coefficient of Frequency	ppm/°C	-	-36	-

**C. MEASUREMENT CIRCUIT:**

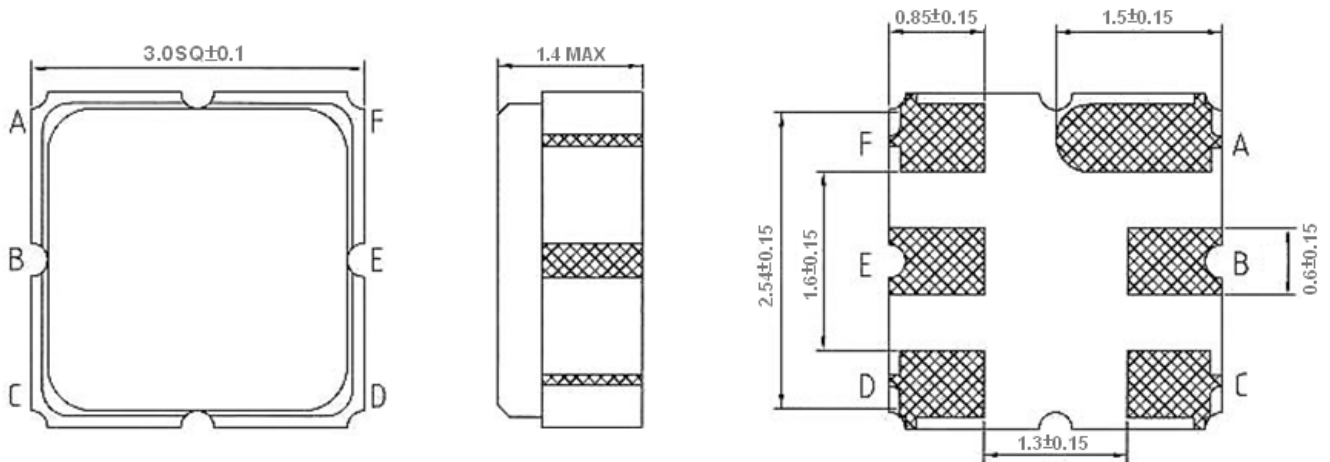
HP Network analyzer



**SAW Filter 422.20MHz**  
**Part No: MP06788**

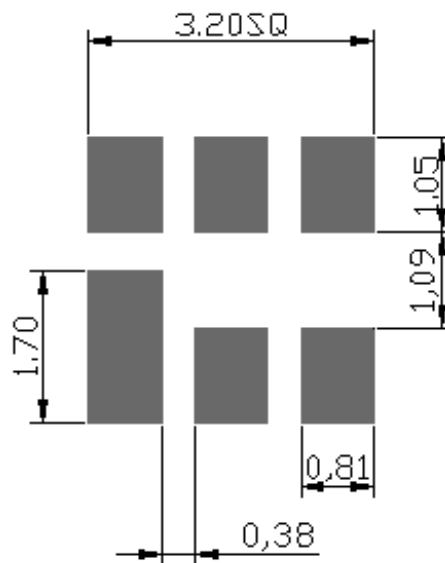
**Model: TA1603A**  
**Rev No: 1**

**D. OUTLINE DRAWING:**



B: Input  
E: Output  
A, C, D, F: Ground  
Unit: mm

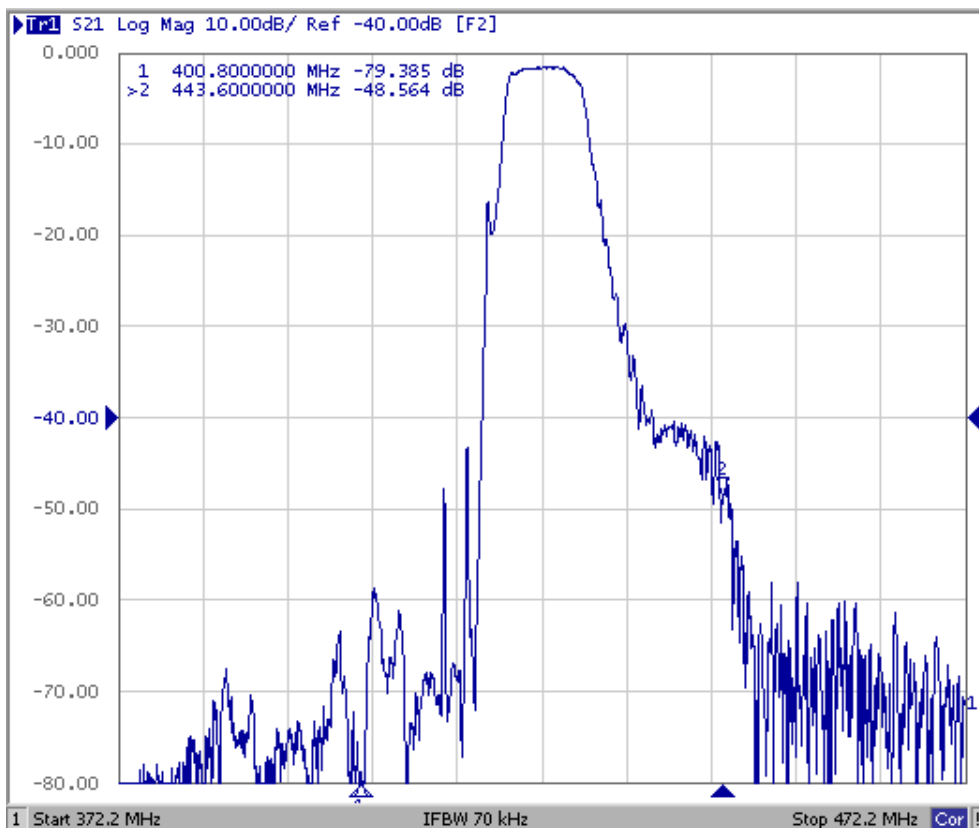
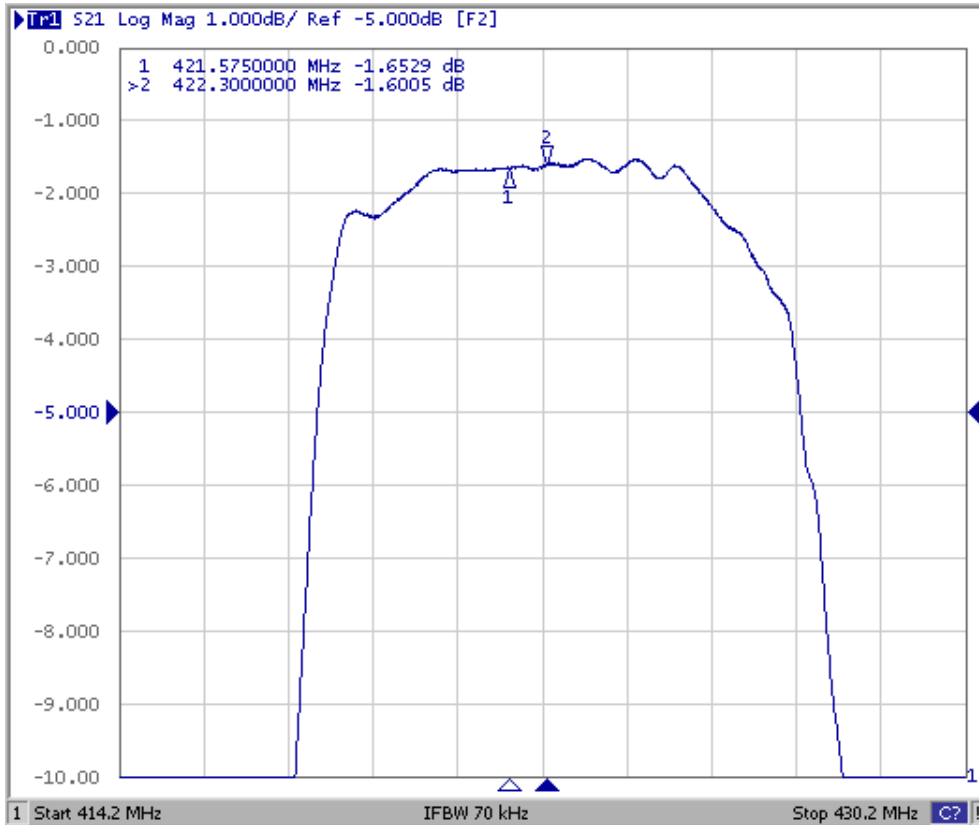
**E. PCB FOOTPRINT:**



**SAW Filter 422.20MHz**  
**Part No: MP06788**

**Model: TA1603A**  
**Rev No: 1**

**F. FREQUENCY CHARACTERISTICS:**

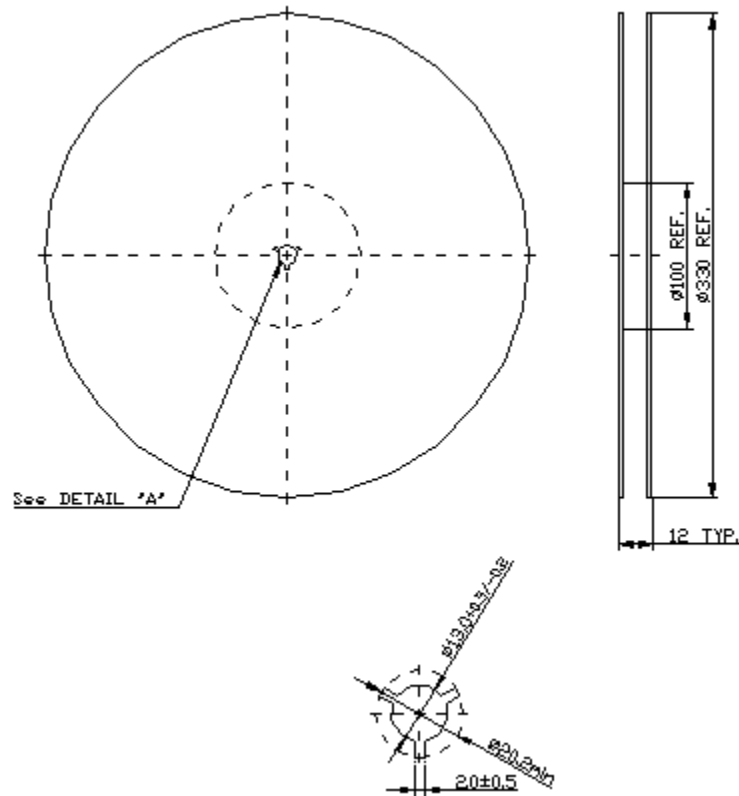


**SAW Filter 422.20MHz**  
**Part No: MP06788**

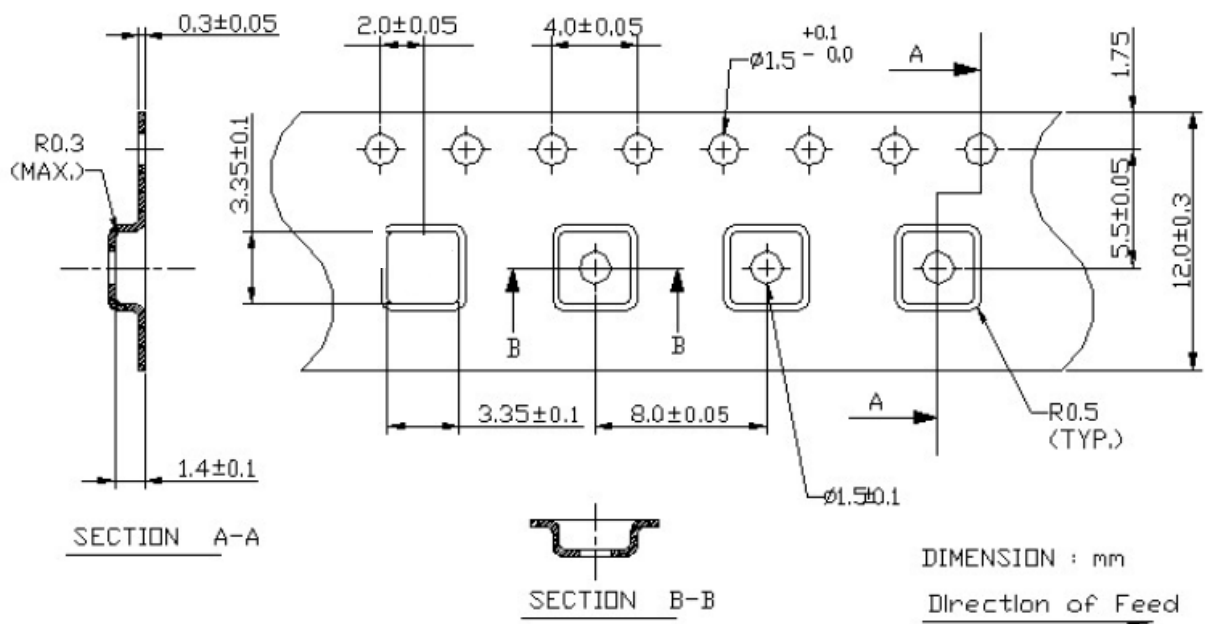
**Model: TA1603A**  
**Rev No: 1**

**G. PACKING:**

1. Reel Dimension (Please refer to FR-75D10 for packing quantity)



2. Tape Dimension



**SAW Filter 422.20MHz**  
**Part No: MP06788**

**Model: TA1603A**  
**Rev No: 1**

**H. RECOMMENDED REFLOW PROFILE:**

1. Preheating shall be fixed at 150 ~ 180°C for 60 ~ 90 seconds.
2. Ascending time to preheating temperature 150°C shall be 30 seconds min.
3. Heating shall be fixed at 220°C for 50 ~ 80 seconds and at 250 ± 10°C peak (max. 10 sec).
4. Time: 2 times.

