

SAW Filter 806.0MHz
Part No: MP06804

Model: TA1655A
Rev No: 2

A. MAXIMUM RATING:

Electrostatic Sensitive Device (ESD)

1. Input Power Level: 15dBm
2. DC Voltage: 3V
3. Operating Temperature: -40°C to +105°C
4. Storage Temperature: -40°C to +105°C

B. ELECTRICAL CHARACTERISTICS:

1. Terminating source impedance: $Z_S = 50\Omega$
2. Terminating load impedance: $Z_L = 50\Omega$

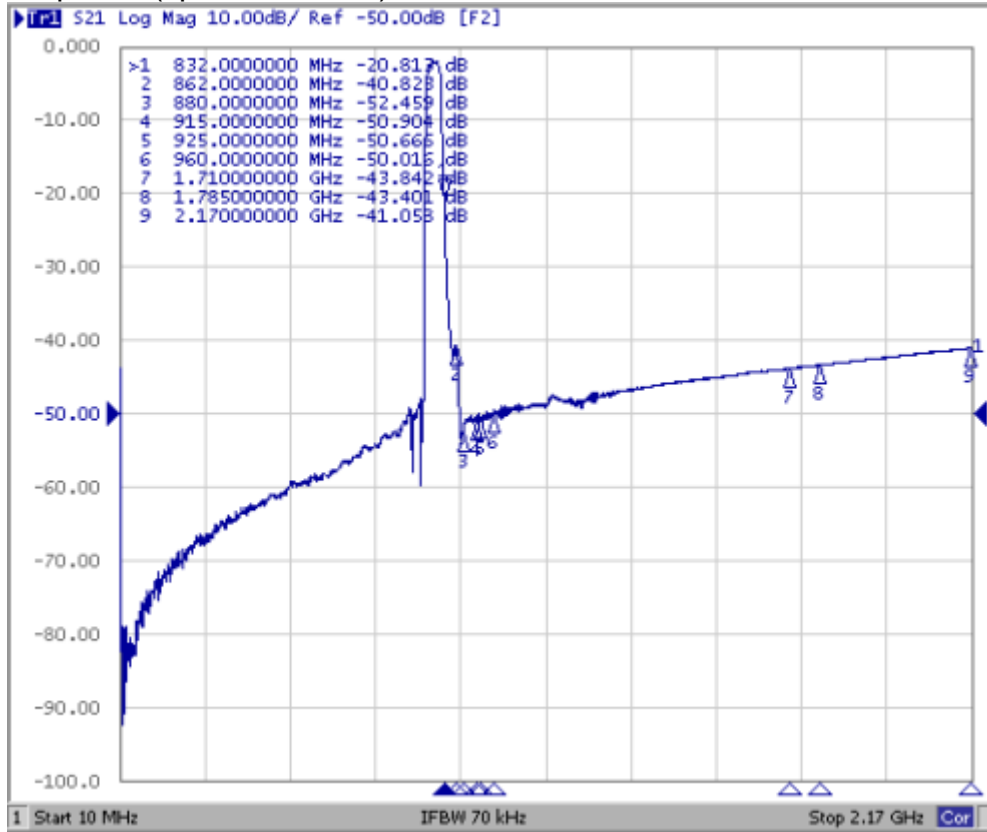
Item	Unit	Min.	Typ.	Max.	Note
Center Frequency Fc	MHz	-	806	-	-
Insertion Loss (791 ~ 821MHz) IL	dB	-	2.9	5.0	-
Amplitude ripple (791 ~ 821MHz)	dB	-	0.9	3.0	-
Return Loss (791 ~ 821MHz) IL	dB	-	12	-	-
Attenuation					
832 ~ 862MHz	dB	-	20	-	-
880 ~ 915MHz	dB	35	48	-	-
925 ~ 960MHz	dB	35	50	-	-
1710 ~ 1785MHz	dB	35	43	-	-
1805 ~ 1880MHz	dB	35	43	-	-
1920 ~ 1980MHz	dB	35	42	-	-
2110 ~ 2170MHz	dB	35	41	-	-
Package size	mm	SMD 1.4 x 1.1			

SAW Filter 806.0MHz
Part No: MP06804

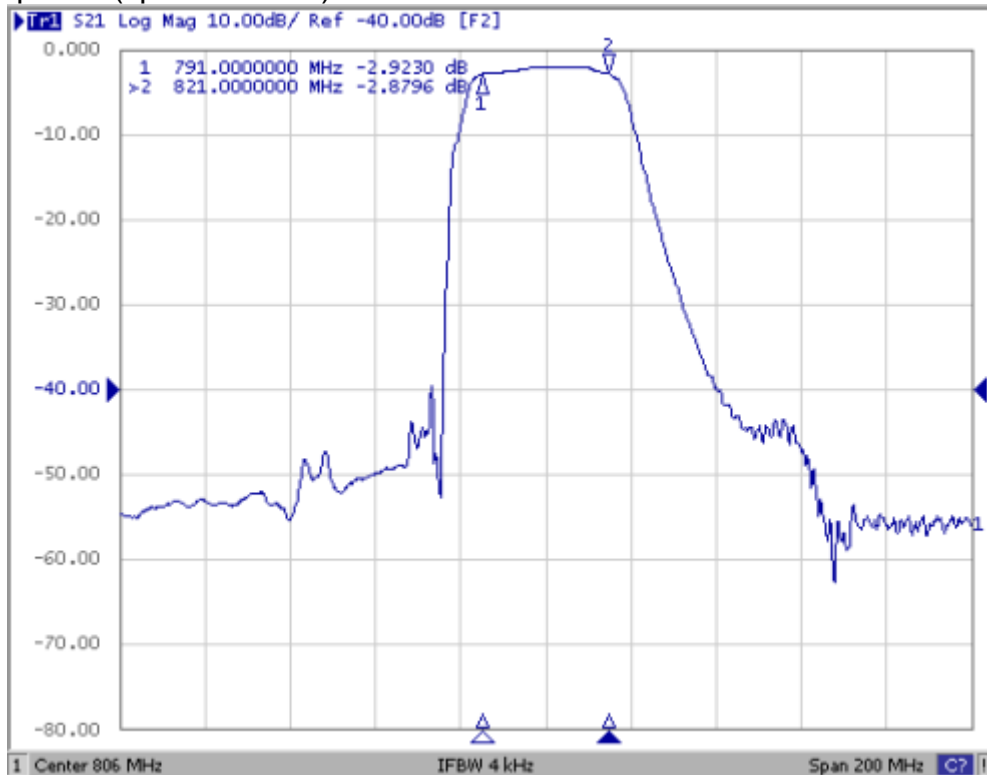
Model: TA1655A
Rev No: 2

F. FREQUENCY CHARACTERISTICS:

1. S21 Response (span 2170MHz):



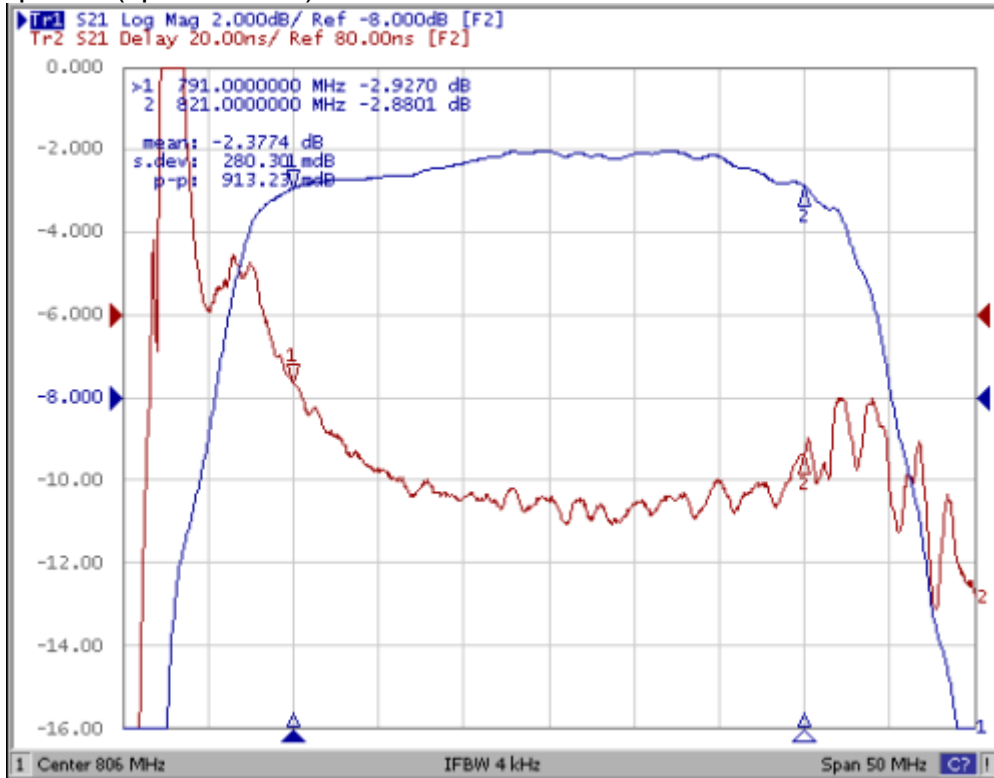
2. S21 Response (span 200MHz):



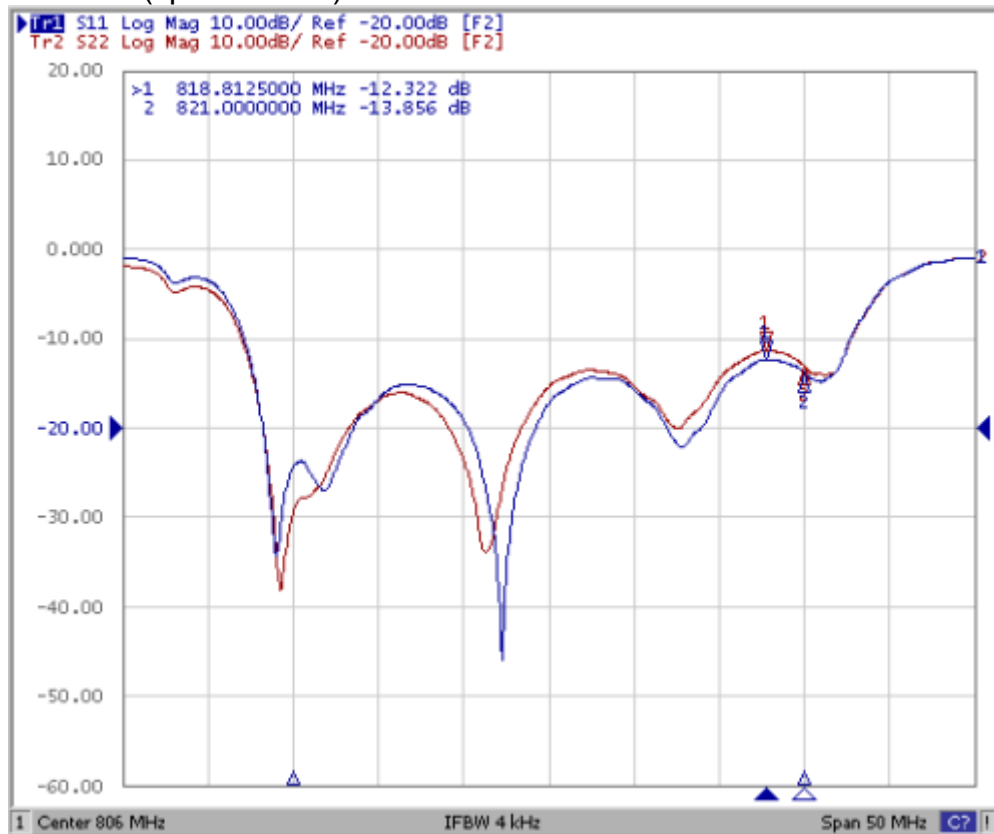
SAW Filter 806.0MHz
Part No: MP06804

Model: TA1655A
Rev No: 2

3. S21 Response (span 50MHz):



4. S11&S22 VSWR (span 50MHz):

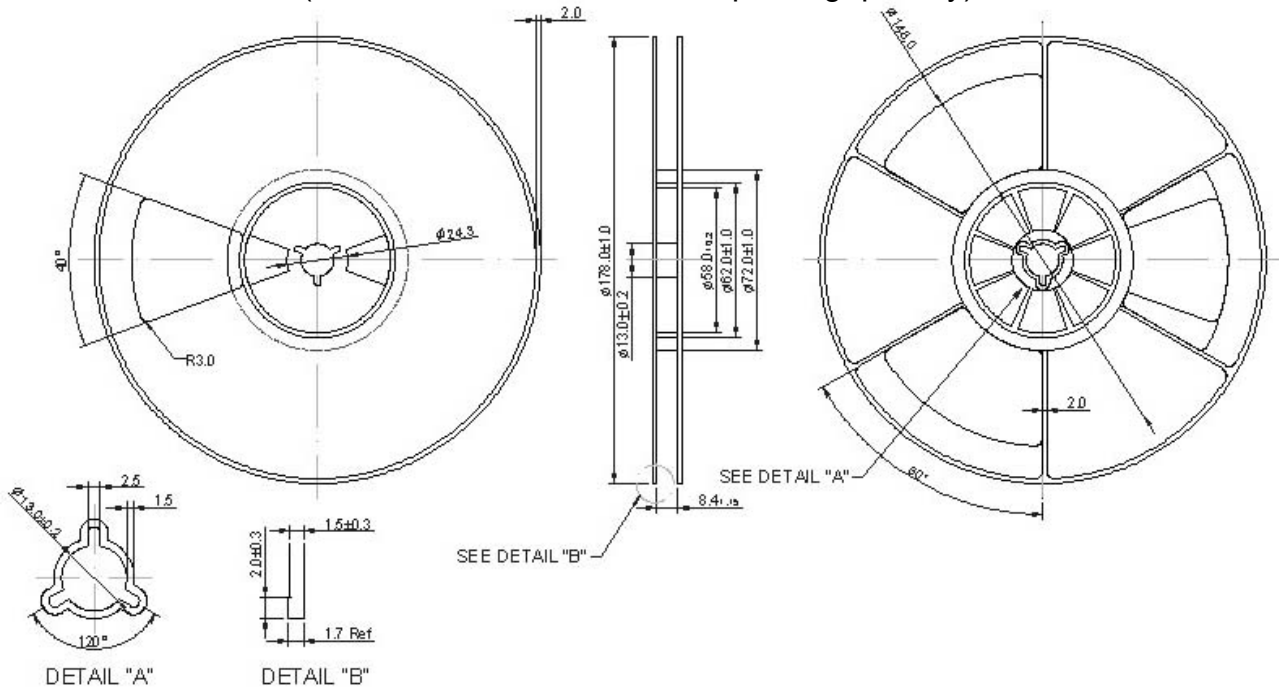


SAW Filter 806.0MHz
Part No: MP06804

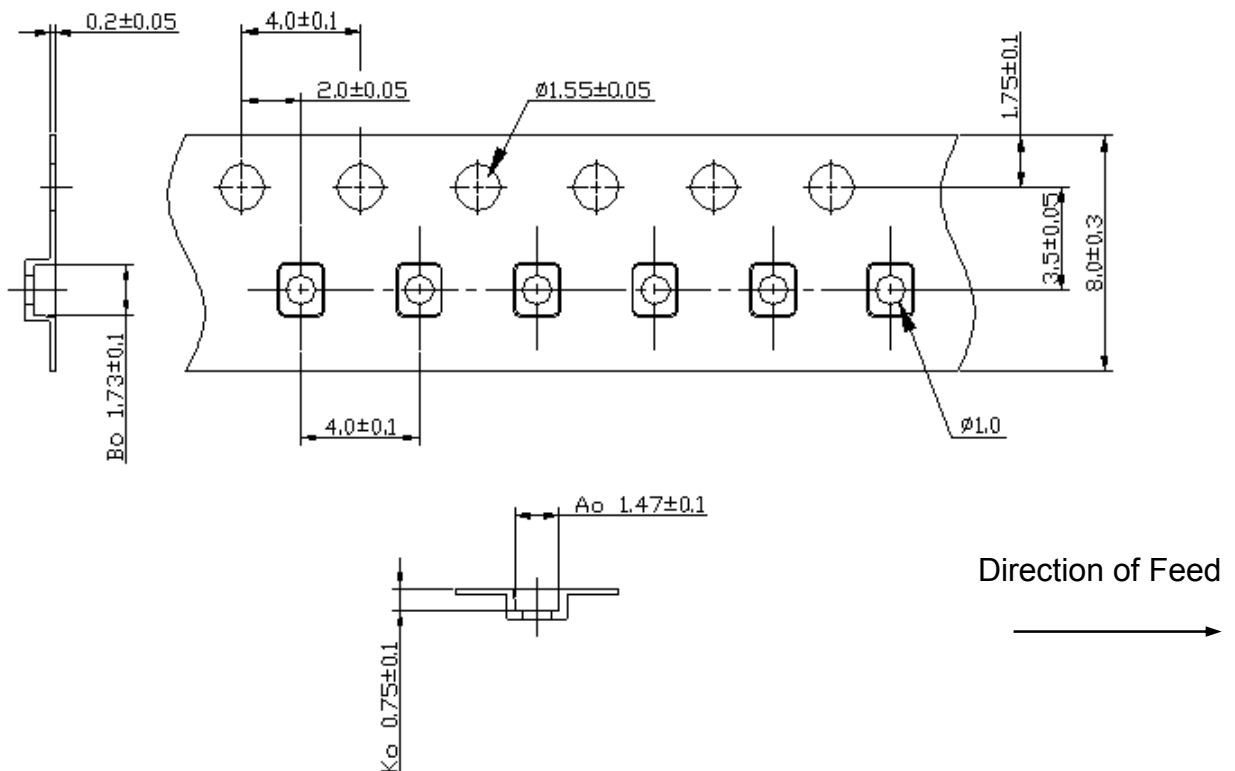
Model: TA1655A
Rev No: 2

G. PACKING:

1. Reel Dimension (Please refer to FR-75D10 for packing quantity)



2. Tape Dimension



SAW Filter 806.0MHz
Part No: MP06804

Model: TA1655A
Rev No: 2

H. RECOMMENDED REFLOW PROFILE:

