

SAW Filter 915.0MHz

Model: TA1610A

Part No: MP06993

Rev No: 1

A. MAXIMUM RATING:

Electrostatic Sensitive Device (ESD)

1. Input Power Level: 10dBm
2. DC Voltage: 3V
3. Operating Temperature: -40°C to +85°C
4. Storage Temperature: -40°C to +85°C

B. ELECTRICAL CHARACTERISTICS:

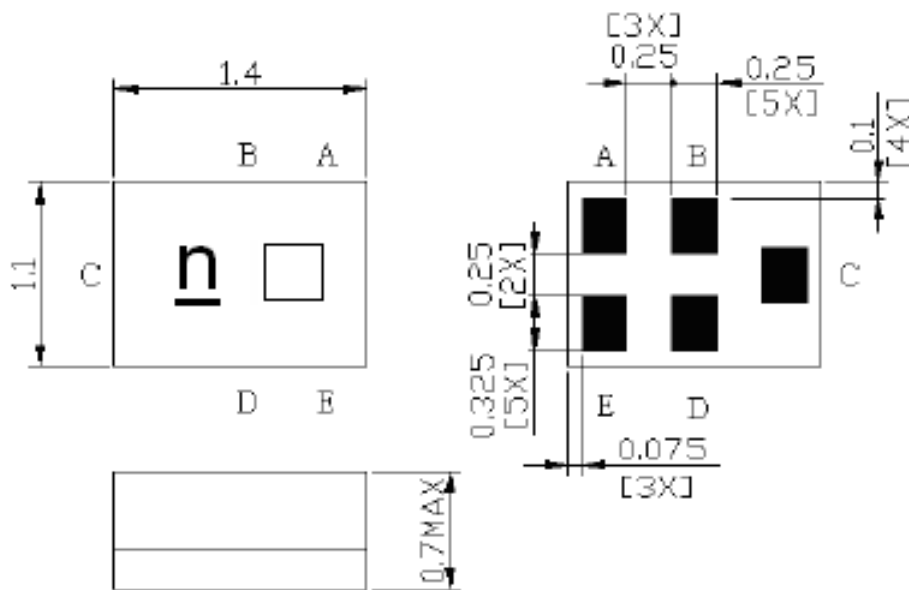
| Item | Unit | Min. | Typ. | Max. | Note |
|----------------------------------|------|---------------|------|------|------|
| Center Frequency Fc | MHz | - | 915 | - | - |
| Insertion Loss (902 ~ 928MHz) IL | dB | - | 2.3 | 3.2 | - |
| VSWR (902 ~ 928MHz) | dB | - | 1.7 | 2.4 | - |
| Amplitude ripple (902 ~ 928MHz) | dB | - | 0.6 | 1.8 | - |
| Attenuation | | | | | |
| 10 ~ 700MHz | dB | 55 | 75 | - | - |
| 700 ~ 770MHz | dB | 50 | 65 | - | - |
| 770 ~ 850MHz | dB | 45 | 66 | - | - |
| 850 ~ 880MHz | dB | 26 | 35 | - | - |
| 880 ~ 894MHz | dB | - | 3 | - | - |
| 990 ~ 1020MHz | dB | 38 | 43 | - | - |
| 1020 ~ 1850MHz | dB | 45 | 65 | - | - |
| 1850 ~ 3000MHz | dB | 30 | 52 | - | - |
| Package size | mm | SMD 1.4 x 1.1 | | | - |

SAW Filter 915.0MHz
Part No: MP06993

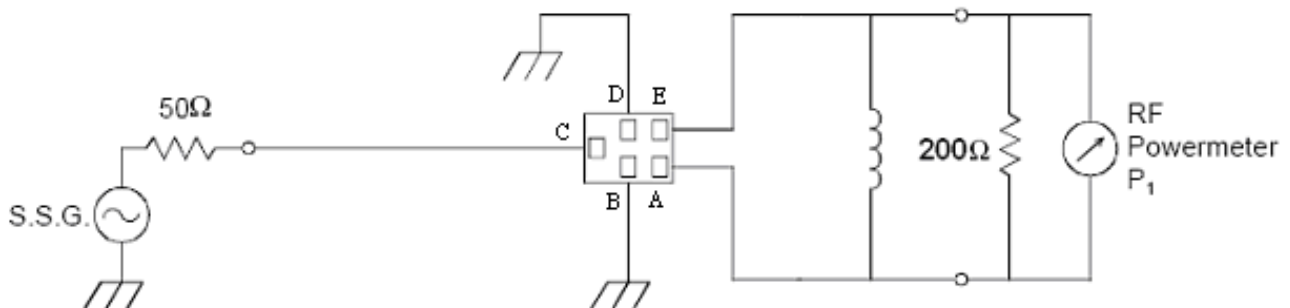
Model: TA1610A
Rev No: 1

C. OUTLINE DRAWING:

| Connection | Terminals |
|------------|-----------|
| Input | C |
| Output | A, E |
| Ground | B, D |



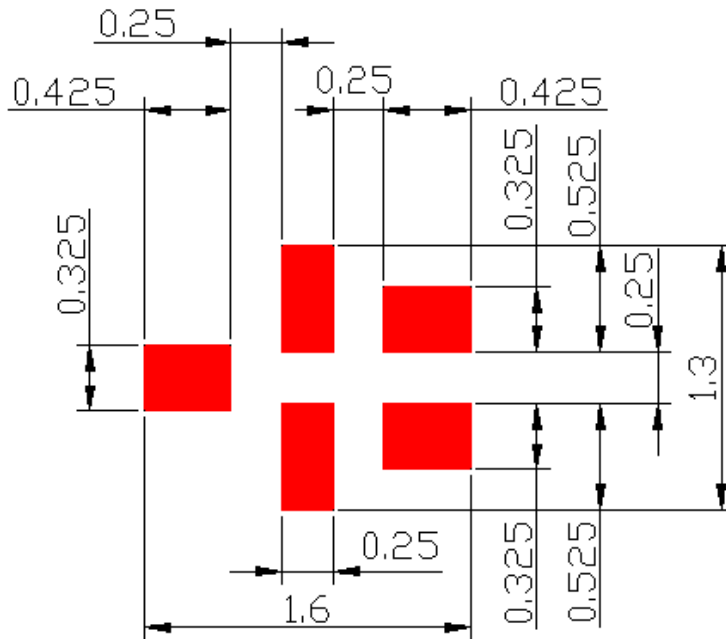
D. MEASUREMENT CIRCUIT:

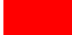


SAW Filter 915.0MHz
Part No: MP06993

Model: TA1610A
Rev No: 1

E. PCB FOOTPRINT:



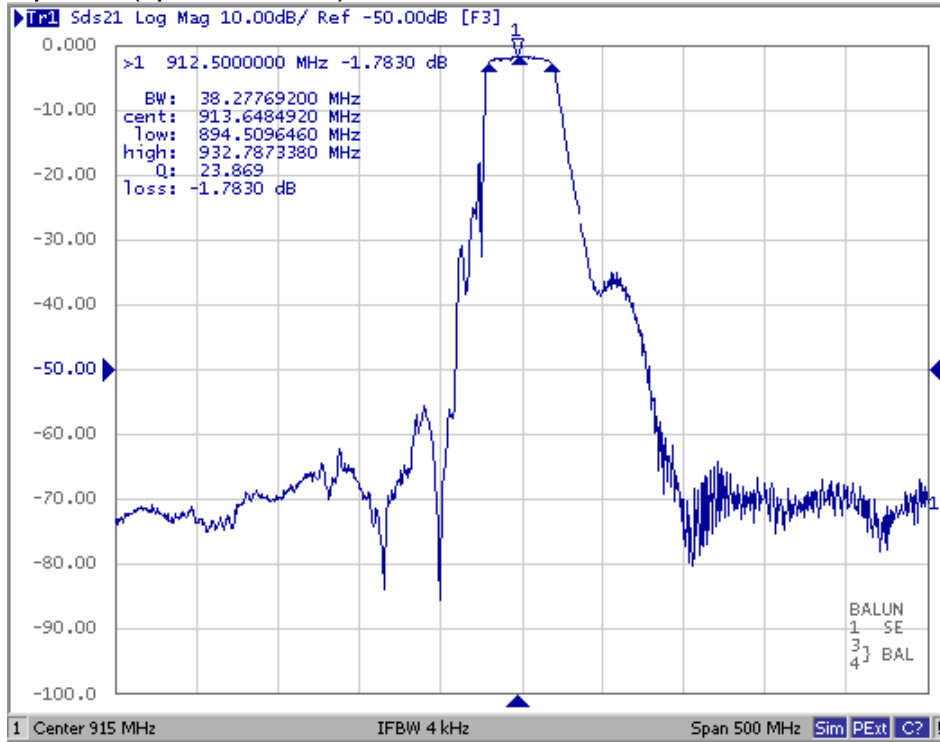
 : Land Pattern
Unit : mm

SAW Filter 915.0MHz
Part No: MP06993

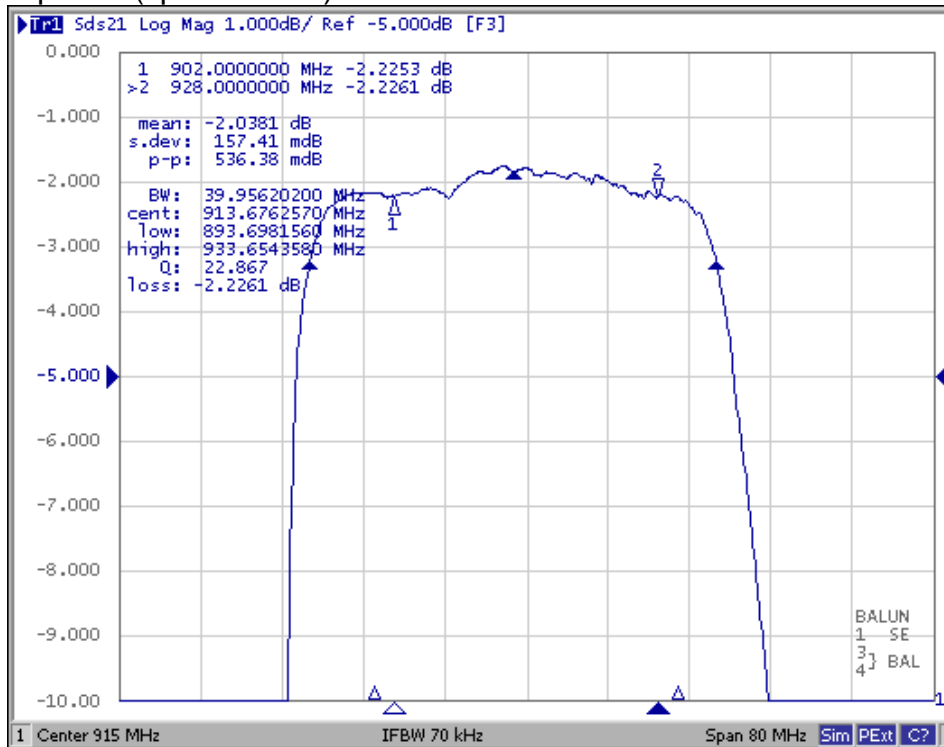
Model: TA1610A
Rev No: 1

F. FREQUENCY CHARACTERISTICS:

1. S21 Response (span 500MHz):



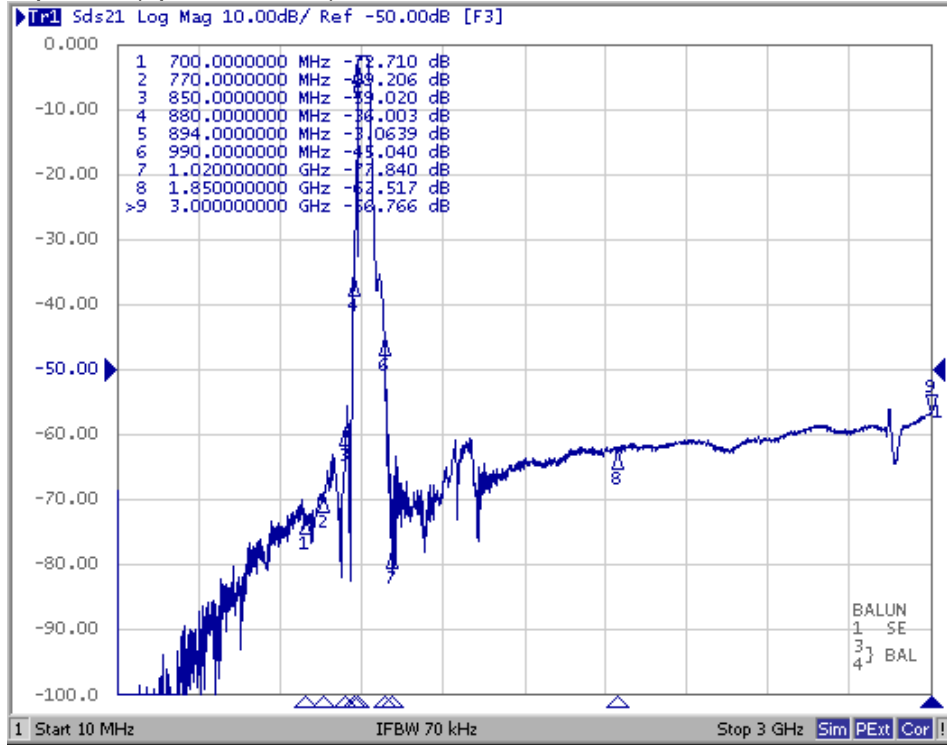
2. S21 Response (span 80MHz):



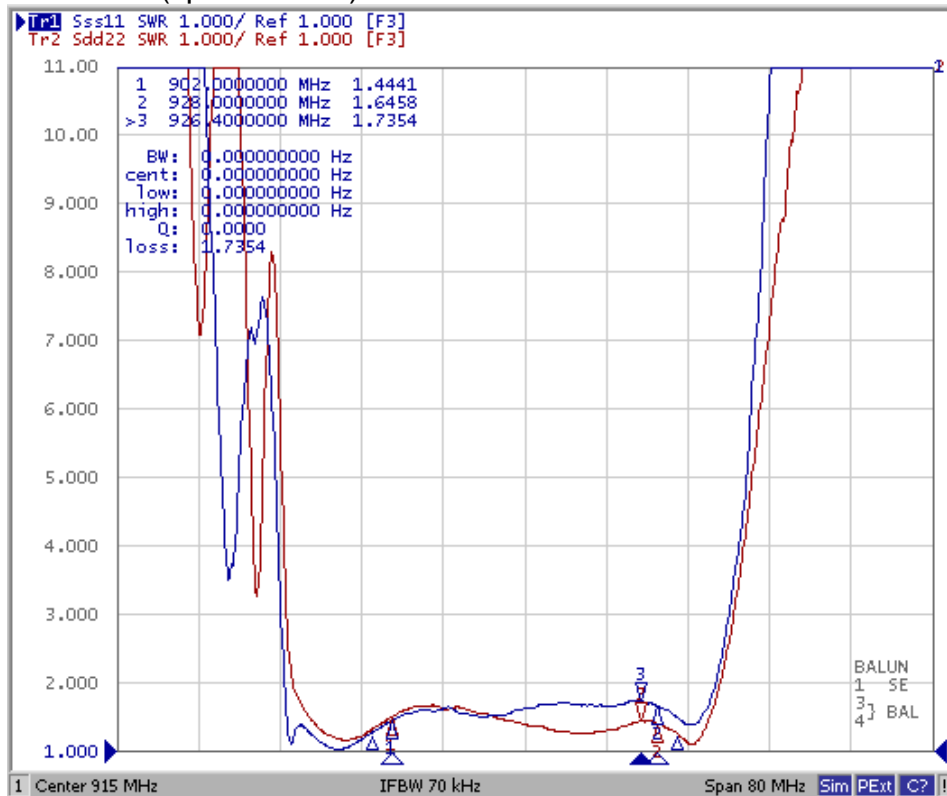
SAW Filter 915.0MHz
Part No: MP06993

Model: TA1610A
Rev No: 1

3. S21 Response (span 3.0GHz):



4. S11&S22 VSWR (span 80MHz):

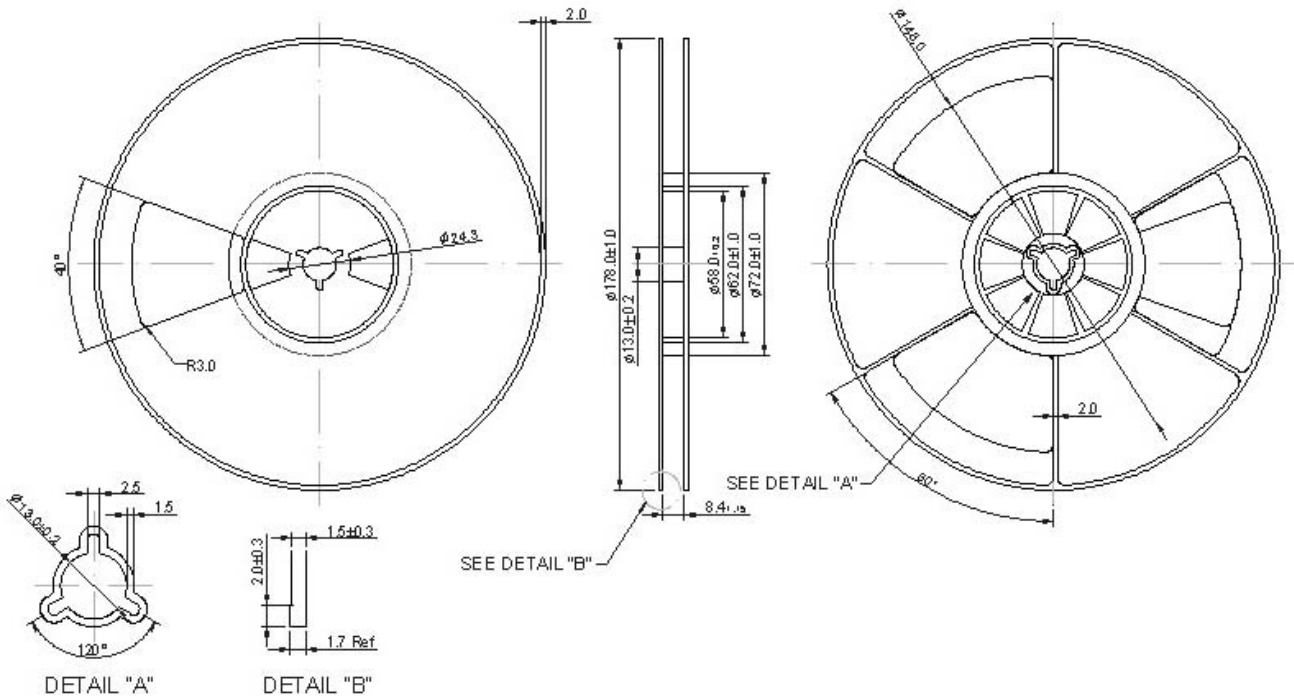


SAW Filter 915.0MHz
Part No: MP06993

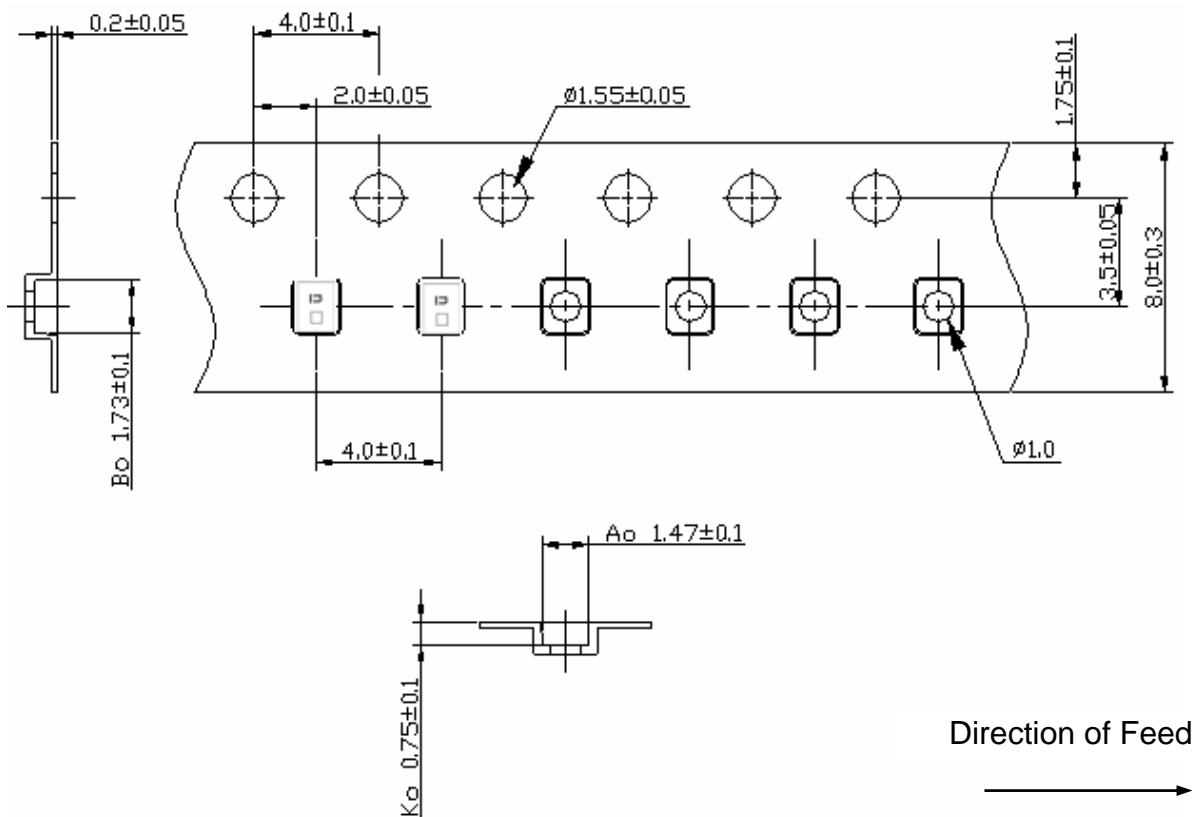
Model: TA1610A
Rev No: 1

G. PACKING:

1. Reel Dimension (Please refer to FR-75D10 for packing quantity)



2. Tape Dimension



SAW Filter 915.0MHz
Part No: MP06993

Model: TA1610A
Rev No: 1

H. RECOMMENDED REFLOW PROFILE:

