

SAW Resonator: 315.0MHz
Part No: MP06999

Model: TC0274A
Rev No: 2

A. FEATURES:

One - Port Resonator.

B. MAXIMUM RATING:

1. Input Power Level: 0dBm
2. DC voltage: 12V
3. Operating Temperature: -40°C to +85°C
4. Storage Temperature: -40°C to +85°C

C. ELECTRICAL CHARACTERISTICS:

Reference Temperature $T_A = 25^\circ\text{C}$

Characteristic	Unit	Min.	Typ.	Max.
Center frequency F_c	MHz	314.925	315.00	315.075
Insertion Loss IL	dB	-	1.5	2.5
Unload quality factor QU		-	8000	-
Ageing of F_c	ppm/yr	-	-	± 10
Motional capacitance C1	fF	-	2.89	-
Motional inductance L1	μH	-	87.5	-
Motional resistance R1	Ohm	-	20.2	-
Parallel capacitance C_o	pF	-	4.14	-
Frequency Temperature coefficient (TCf)	ppm/c*2	-	0.032	-
Turnover T_o	deg. C	-	25	-
Package size	SMD 3 X 3 X 1.1mm			

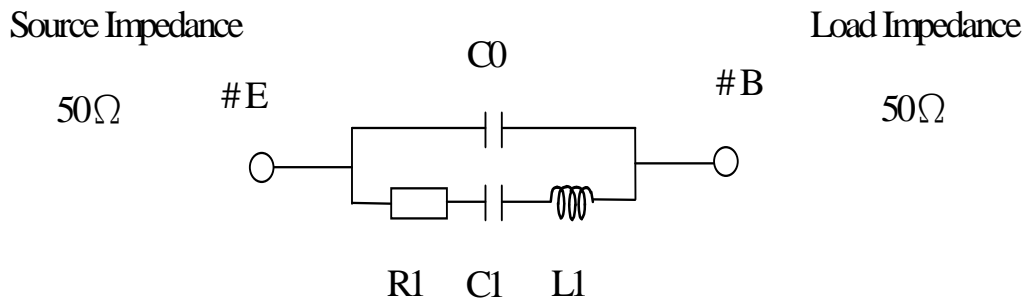
Temperature dependence of F_c : $F_c(T_A) = F_c(T_O) (1 + TC_f(T_A - T_O)^2)$

SAW Resonator: 315.0MHz
Part No: MP06999

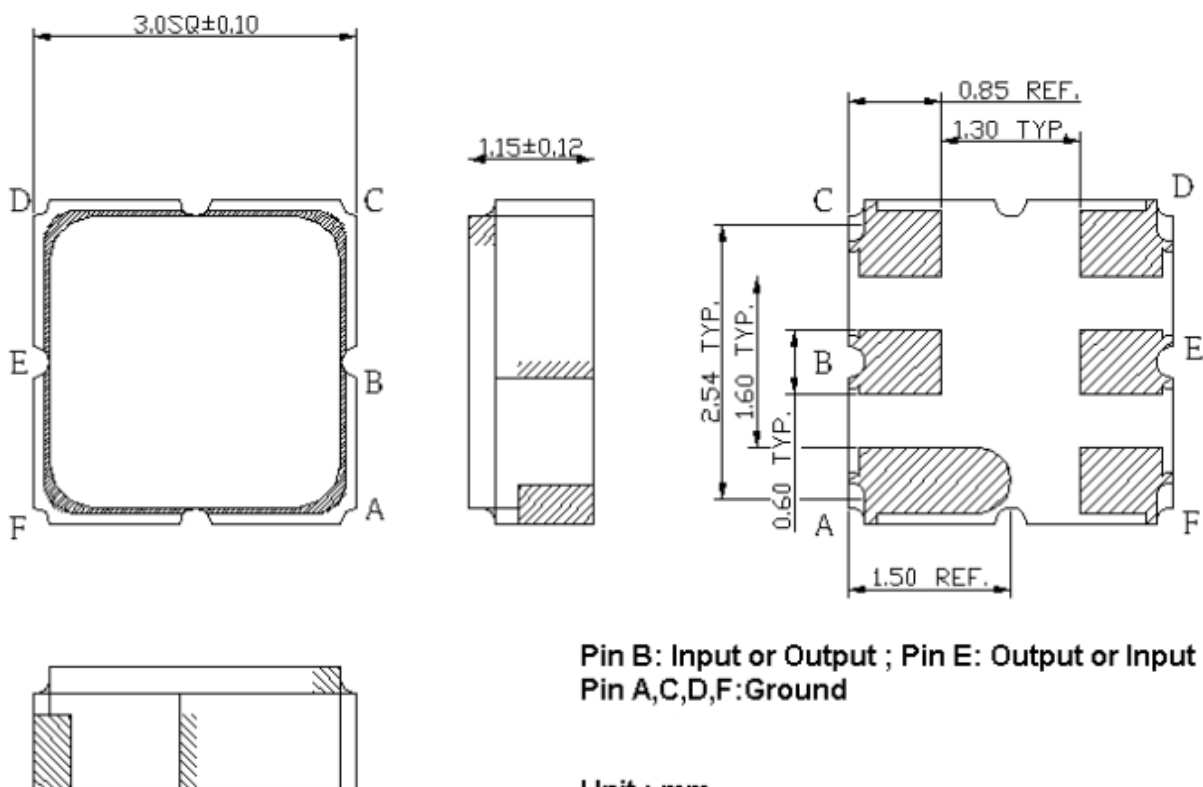
Model: TC0274A
Rev No: 2

D. EQUIVALENT CIRCUIT:

One-Port Resonator:



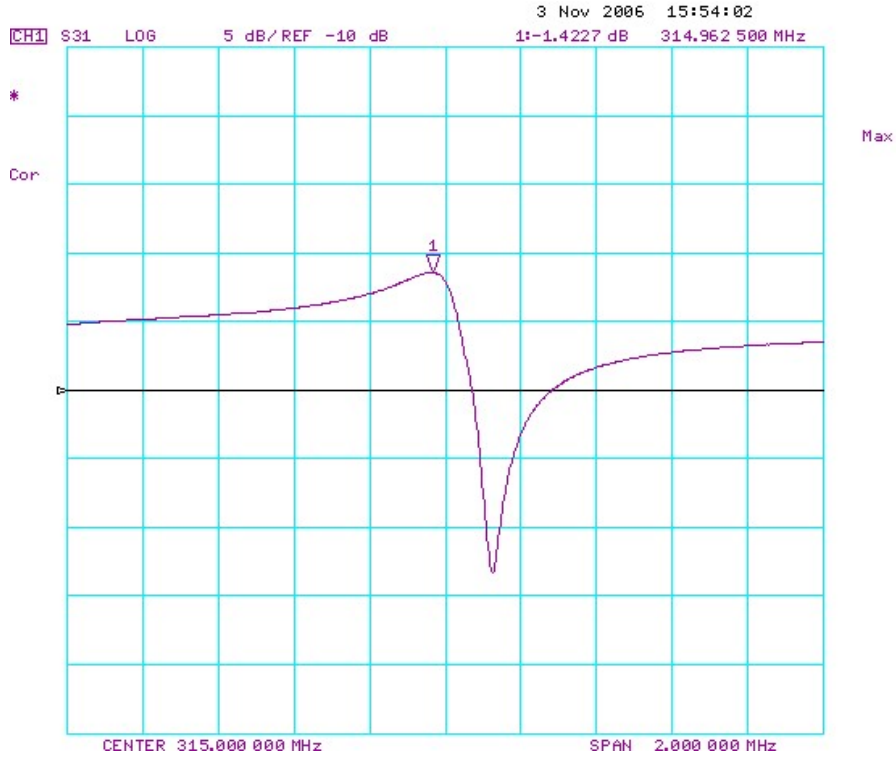
E. OUTLINE DRAWING:



SAW Resonator: 315.0MHz
Part No: MP06999

Model: TC0274A
Rev No: 2

F. FREQUENCY CHARACTERISTICS:

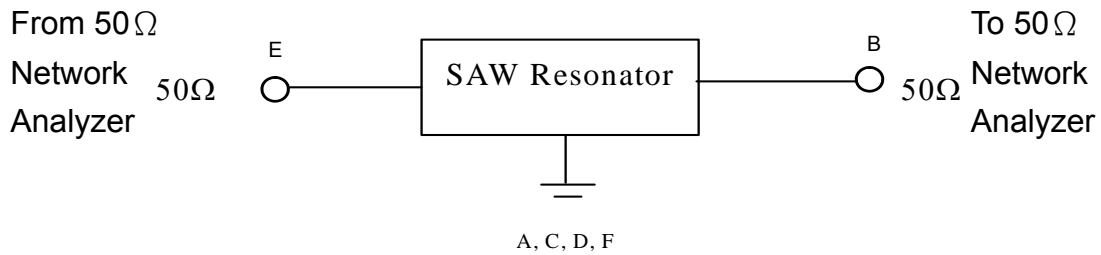


SAW Resonator: 315.0MHz
Part No: MP06999

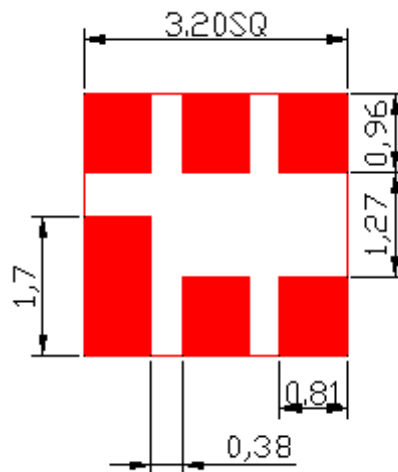
Model: TC0274A
Rev No: 2

G. TEST CIRCUIT:

Network analyzer



H. PCB FOOT PRINT:

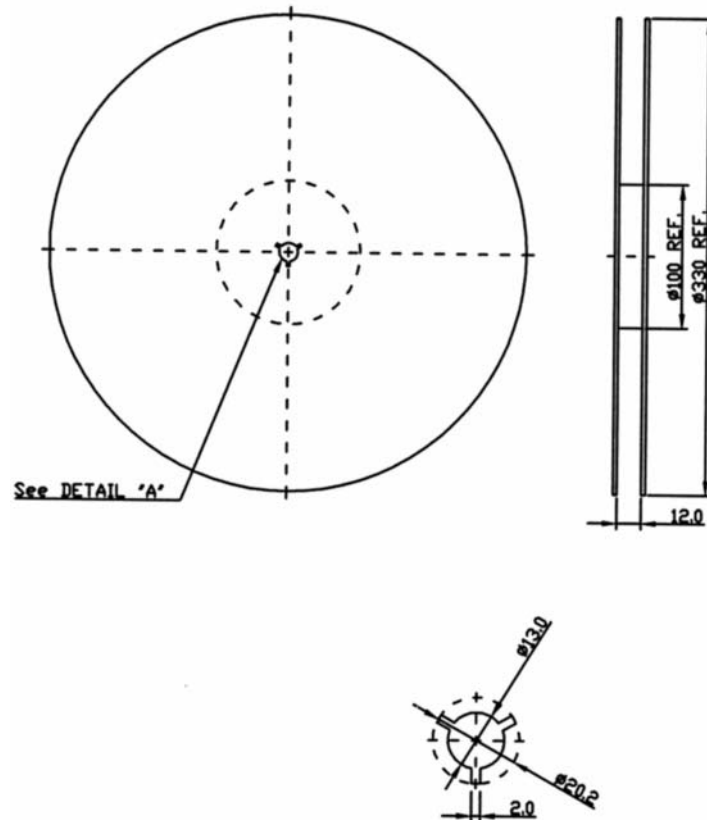


SAW Resonator: 315.0MHz
Part No: MP06999

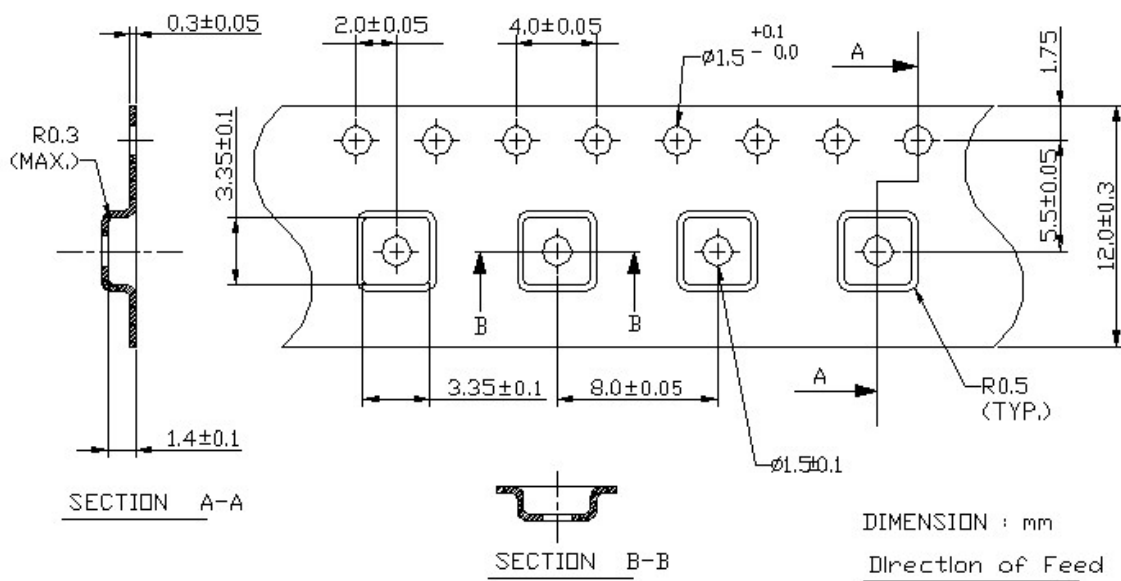
Model: TC0274A
Rev No: 2

I. PACKING:

1. Reel Dimension



2. Tape Dimension



SAW Resonator: 315.0MHz
Part No: MP06999

Model: TC0274A
Rev No: 2

J. RECOMMENDED REFLOW PROFILE:

