

SAW Filter 980.0MHz
Part No: MP07093

Model: TB1126A
Rev No: 2

A. MAXIMUM RATING:

Electrostatic Sensitive Device

1. Operating temperature range: -30°C to 60°C
2. Storage temperature range: -40°C to 85°C
3. Input Power Level: 10dBm
4. Maximum DC Voltage: 10V

B. ELECTRICAL CHARACTERISTICS:

Item	Unit	Min.	Typ.	Max.
Center frequency, Fc	MHz	-	980	-
Insertion Loss, IL	dB	-	18	20.0
-1dB bandwidth	MHz	80	87	-
Passband Ripple Fc ± 40MHz	dB	-	0.7	1.2
Attenuation:(Reference level from Min IL)				
10MHz ~ 850MHz	dB	40	52	-
1034MHz ~ 1044MHz	dB	10	20	-
1044MHz ~ 1200MHz	dB	35	42	-
Temperature Coefficient	ppm/°C	-	-94	-
Source Impedance	Ohm	-	50	-
Load Impedance	Ohm	-	50	-

SAW Filter 980.0MHz
Part No: MP07093

Model: TB1126A
Rev No: 2

C. FREQUENCY CHARACTERISTICS:

1. Wide band Response: (span 600MHz)

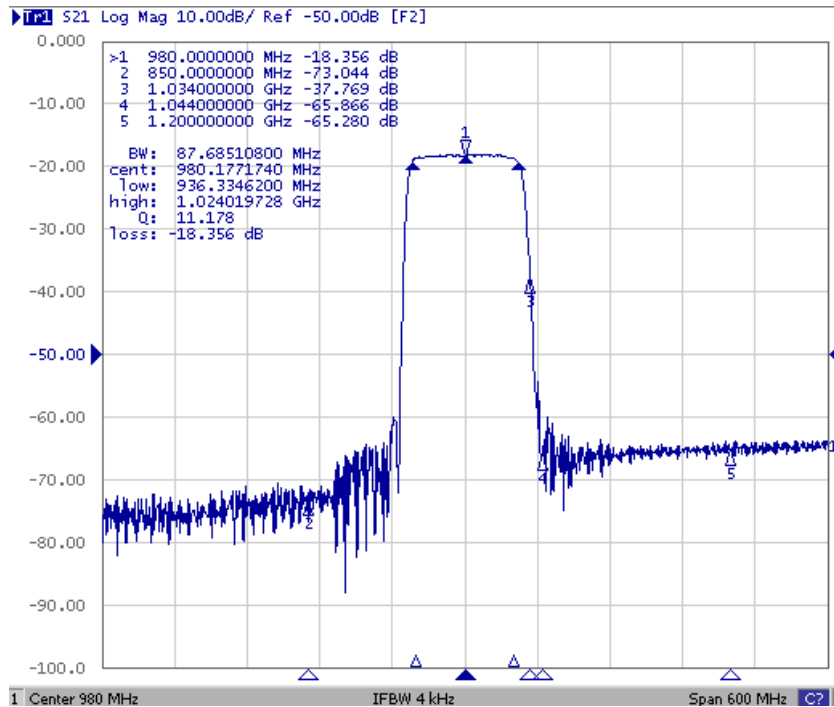


Fig. 1. Horizontal: 60MHz / Div, Vertical: 10dB / Div

2. Pass band Response and Group Time Delay response:

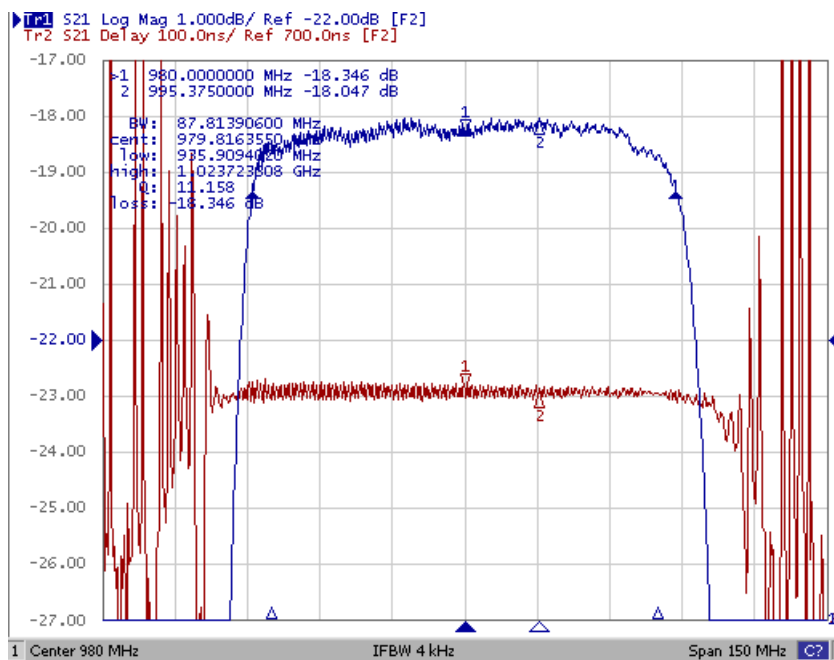
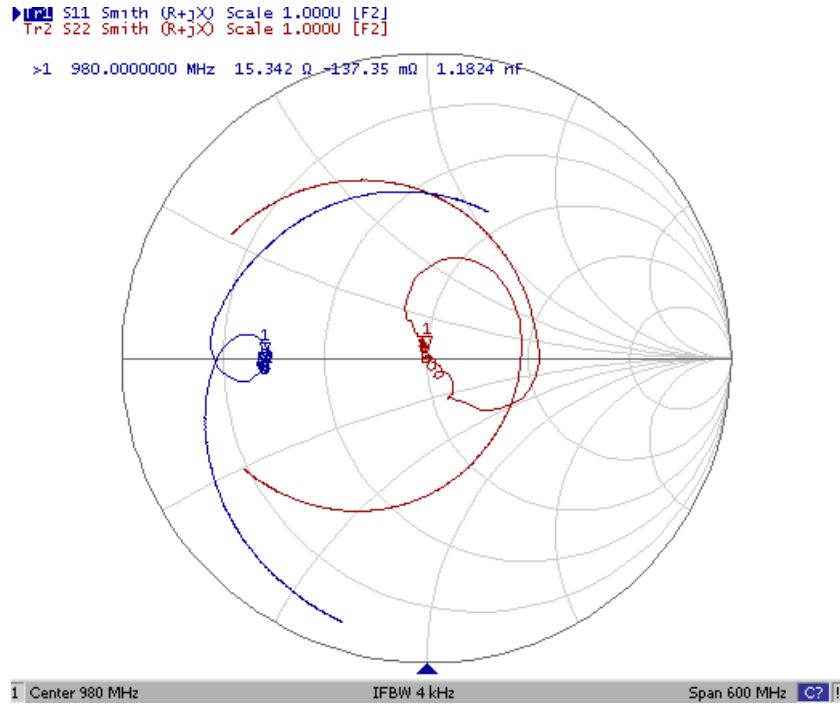


Fig. 2. Horizontal: 15MHz / Div, Vertical: 1dB / Div, Vertical: 100ns / Div

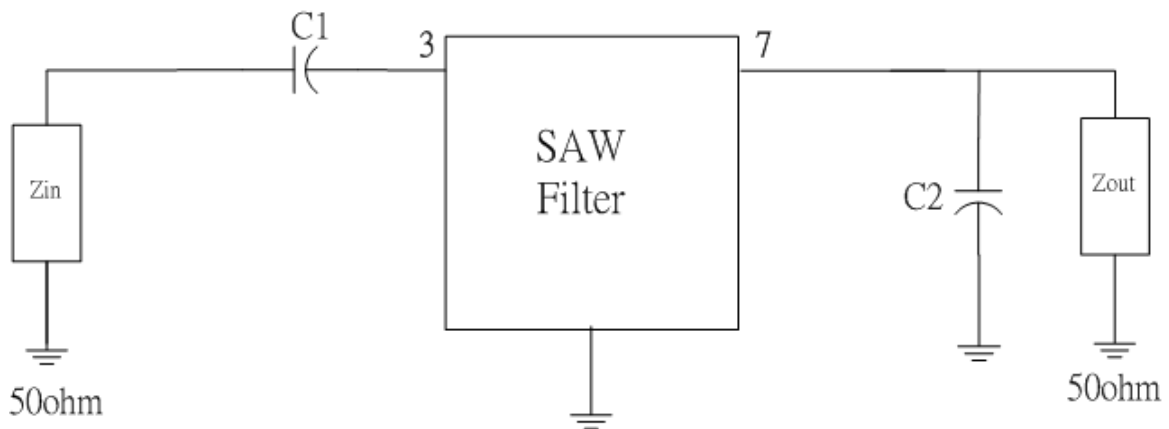
SAW Filter 980.0MHz
Part No: MP07093

Model: TB1126A
Rev No: 2

3. Smith Chart



D. MATCHING CIRCUIT:

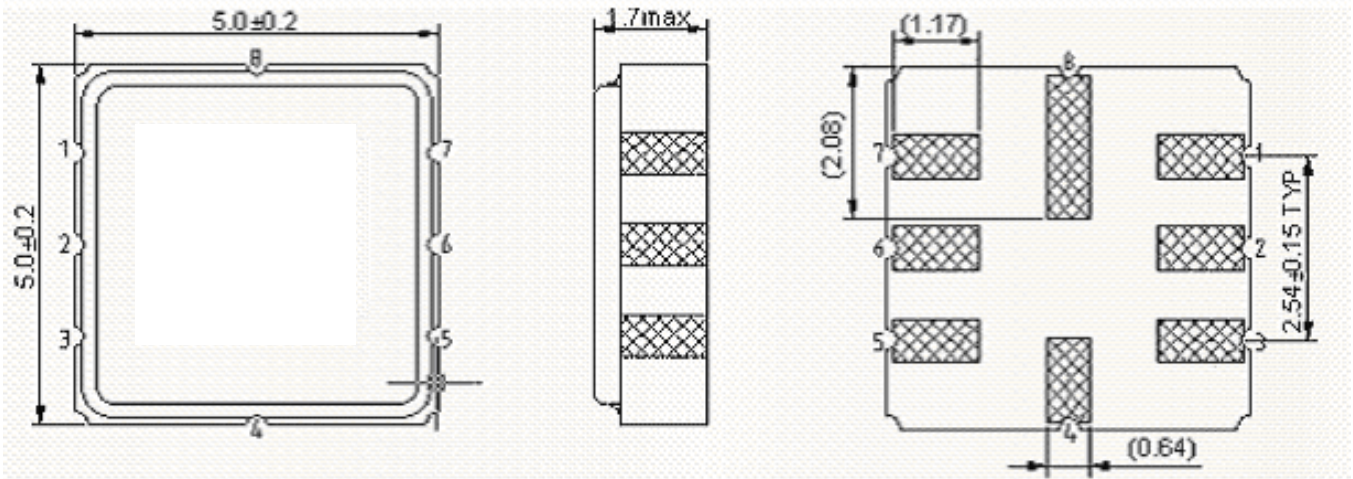


C1 = 3.0pF, C2 = 3.0pF

SAW Filter 980.0MHz
Part No: MP07093

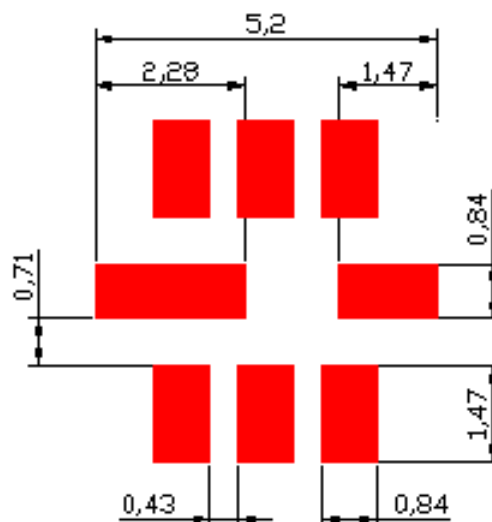
Model: TB1126A
Rev No: 2

E. OUTLINE DRAWING:



- 3: Input
 - 2: Input ground
 - 7: Output
 - 6: Output ground
 - 1, 4, 5, 8: Ground
- Unit: mm

F. PCB FOOTPRINT:

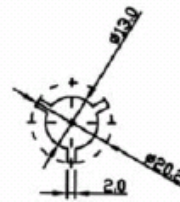
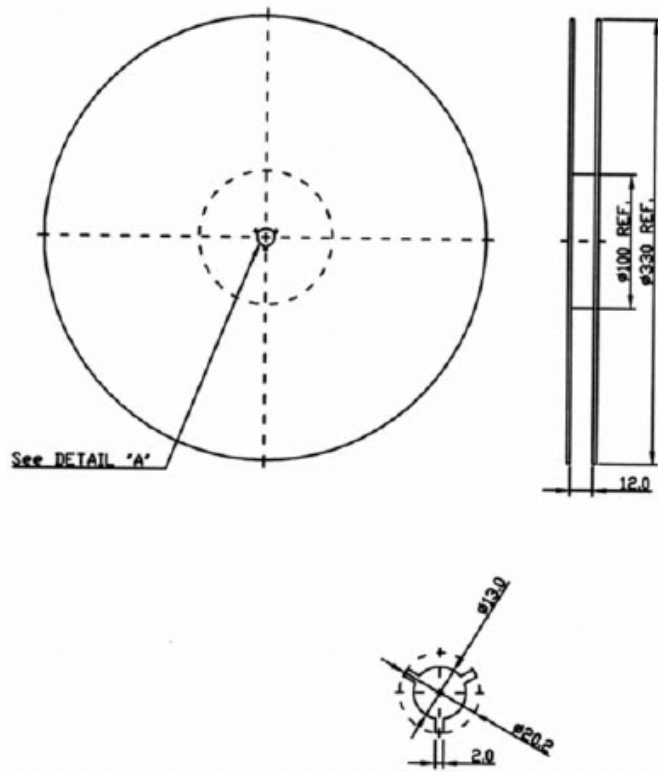


SAW Filter 980.0MHz
Part No: MP07093

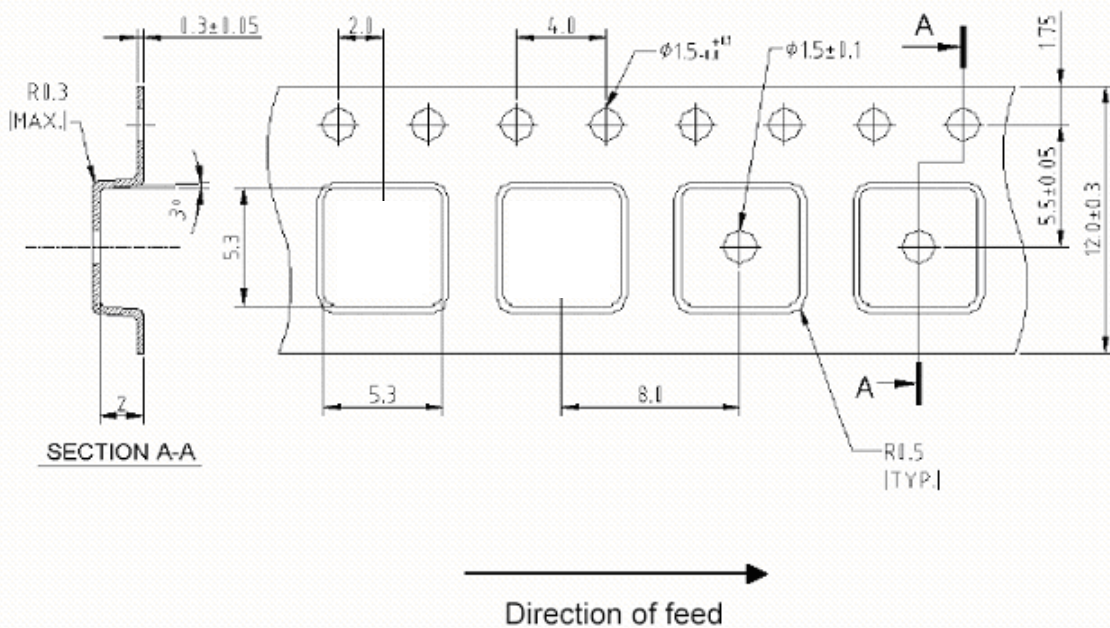
Model: TB1126A
Rev No: 2

G. PACKING:

1. Reel Dimension: (Please refer to FR-75D10 for packing quantity)



2. Tape dimension:



SAW Filter 980.0MHz
Part No: MP07093

Model: TB1126A
Rev No: 2

H. RECOMMENDED REFLOW PROFILE:

1. Preheating shall be fixed at 150 ~ 180°C for 60 ~ 90 seconds.
2. Ascending time to preheating temperature 150°C shall be 30 seconds min.
3. Heating shall be fixed at 220°C for 50 ~ 80 seconds and at 260°C +0/-5°C peak (20 ~ 40sec).
4. Time: 2 times.

