

SAW Filter 739.0MHz
Part No: MP07098

Model: TB1125A
Rev No: 1

A. MAXIMUM RATING:

Electrostatic Sensitive Device

1. Operating temperature range: -30°C to 60°C
2. Storage temperature range: -40°C to 85°C
3. Input Power Level: 10 dBm
4. Maximum DC Voltage: 10V

B. CHARACTERISTICS:

Item	Unit	Min.	Typ.	Max.
Center frequency, Fc	MHz	-	739	-
Insertion Loss, IL	dB	-	17.0	18.5
-1dB bandwidth	MHz	78	85	-
Passband Ripple Fc ± 39MHz	dB	-	0.75	1.00
Attenuation:(Reference level from Min IL)				
10MHz ~ 604MHz	dB	40	50	-
604MHz ~ 676MHz	dB	40	48	-
676MHz ~ 682MHz	dB	20	44	-
804MHz ~ 814MHz	dB	15	42	-
814MHz ~ 879MHz	dB	33	40	-
879MHz ~ 1120MHz	dB	40	50	-
Temperature Coefficient	ppm/°C	-	-94	-
Source Impedance	Ohm	-	50	-
Load Impedance	Ohm	-	50	-

SAW Filter 739.0MHz
Part No: MP07098

Model: TB1125A
Rev No: 1

C. FREQUENCY CHARACTERISTICS:

1. Wide band Response: (span 600MHz)

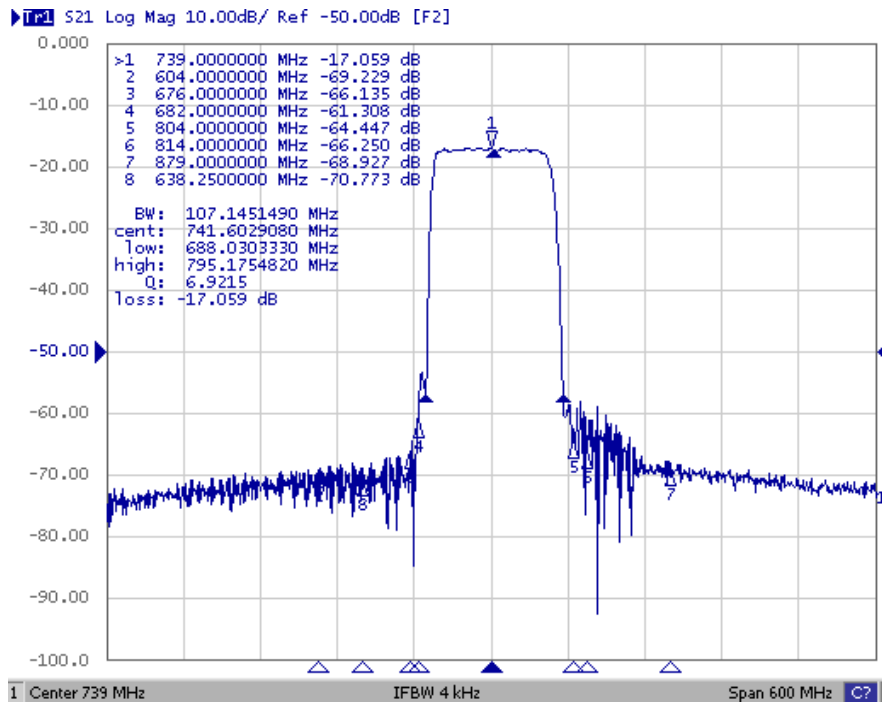


Fig 1. Horizontal: 60MHz / Div, Vertical: 10dB / Div

2. Pass band Response and Group Time Delay response:

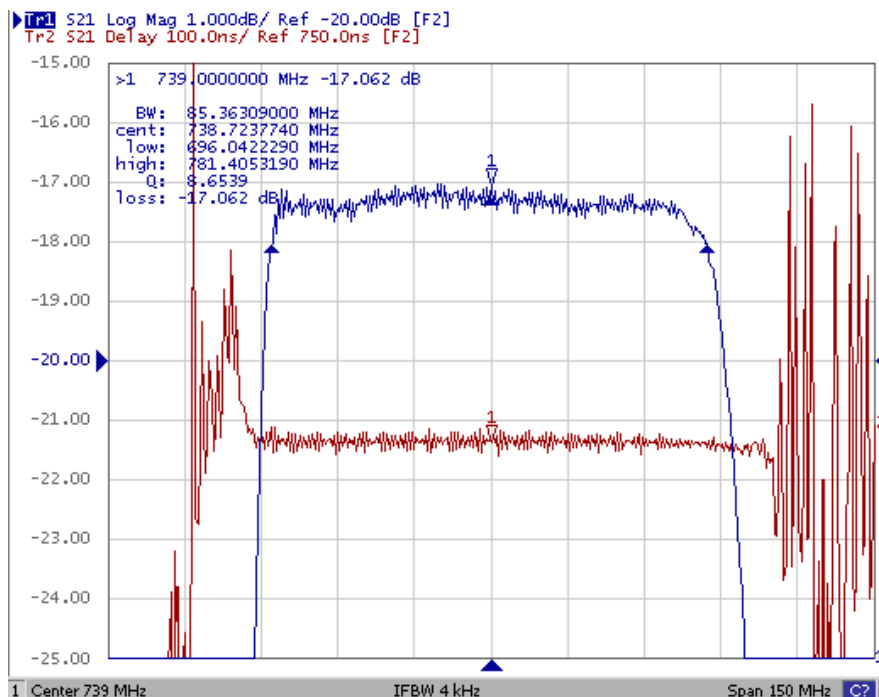
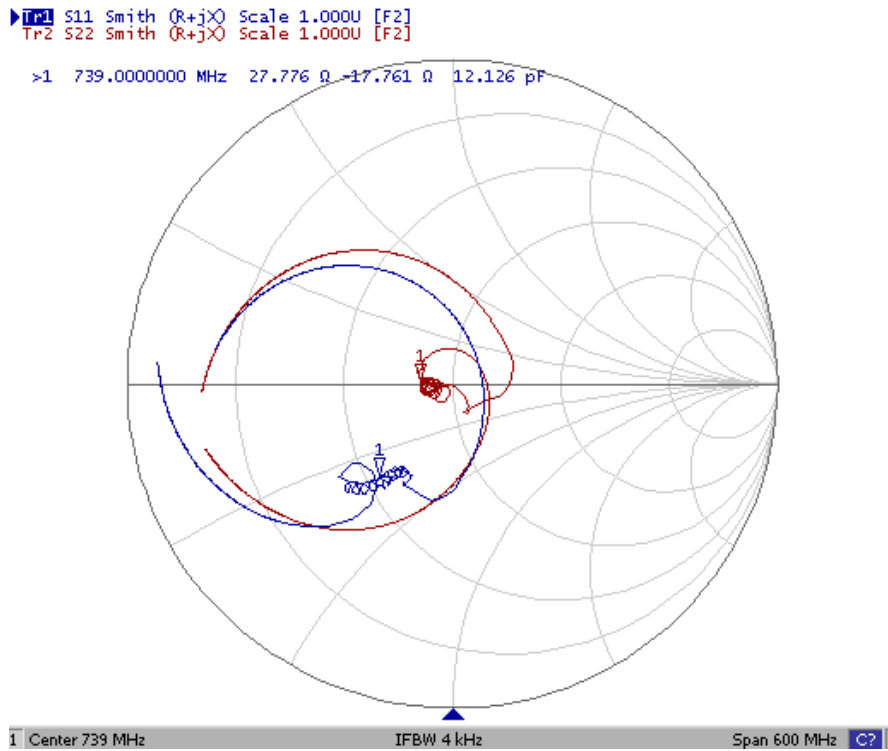


Fig. 2. Horizontal: 17MHz / Div, Vertical: 1dB / Div, Vertical: 100ns / Div

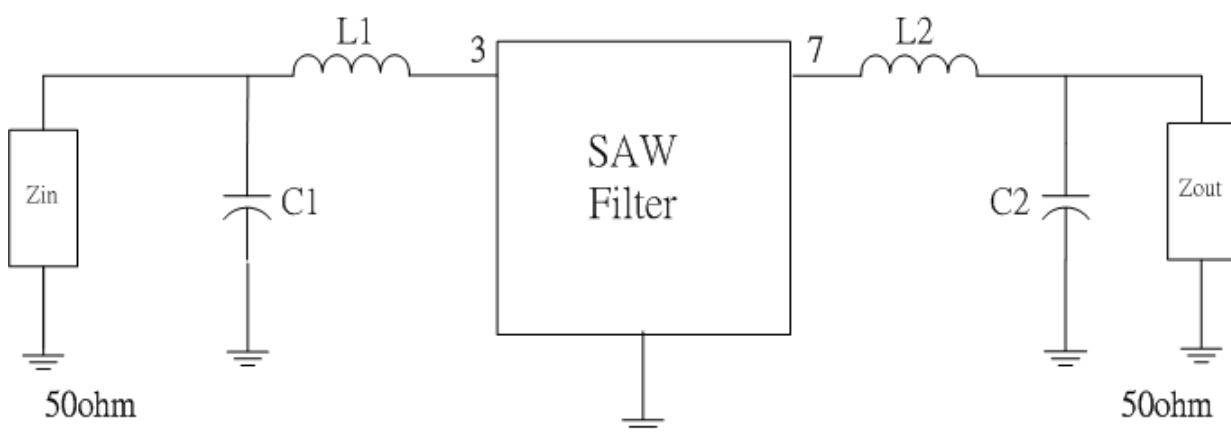
SAW Filter 739.0MHz
Part No: MP07098

Model: TB1125A
Rev No: 1

3. Smith Chart



D. MATCHING CIRCUIT:

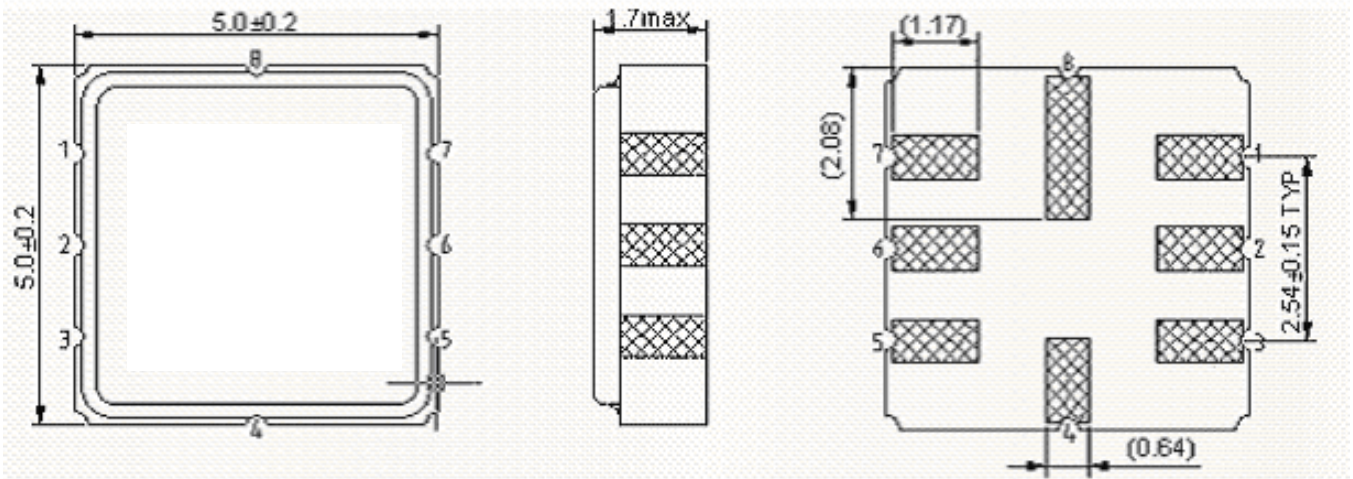


$L1 = 3\text{nH}, C1 = 7\text{pF}, L2 = 3\text{nH}, C2 = 5.6\text{pF}$

SAW Filter 739.0MHz
Part No: MP07098

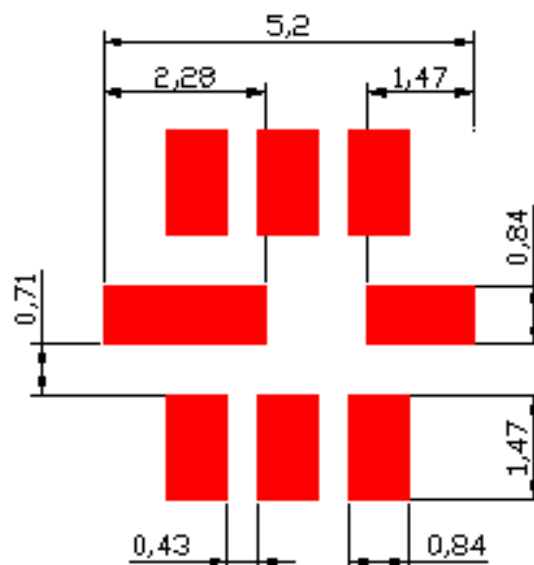
Model: TB1125A
Rev No: 1

E. OUTLINE DRAWING:



- 3: Input
 - 2: Input ground
 - 7: Output
 - 6: Output ground
 - 1, 4, 5, 8: Ground
- Unit: mm

F. PCB FOOTPRINT:

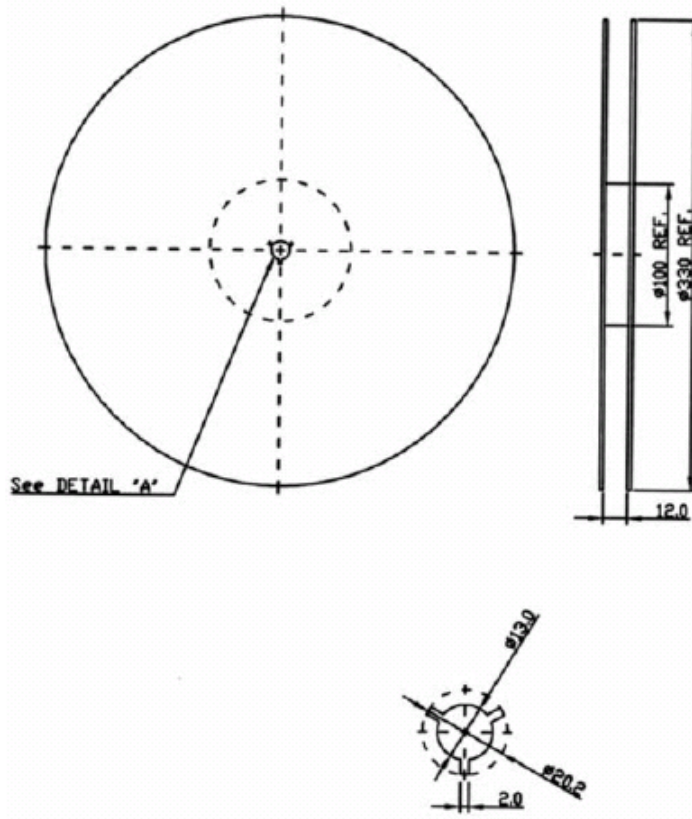


SAW Filter 739.0MHz
Part No: MP07098

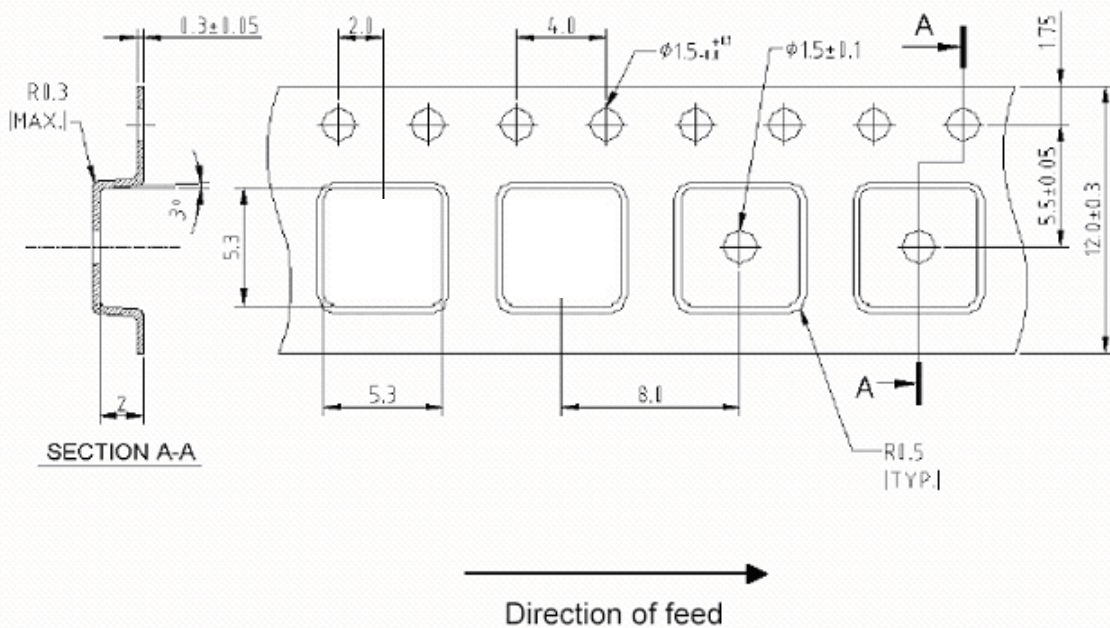
Model: TB1125A
Rev No: 1

G. PACKING:

1. Reel Dimension: (Please refer to FR-75D10 for packing quantity)



2. Tape dimension:



SAW Filter 739.0MHz
Part No: MP07098

Model: TB1125A
Rev No: 1

H. RECOMMENDED REFLOW PROFILE:

