

SAW Resonator: 622.410MHz
Part No: MP07203

Model: TC0506A
Rev No: 1

A. FEATURES:

1. One - Port Resonator

B. MAXIMUM RATING:

1. Input Power Level: 10 dBm
2. DC voltage: 3V
3. Operating Temperature: -40°C to +85°C
4. Storage Temperature: -40°C to +85°C

C. ELECTRICAL CHARACTERISTICS:

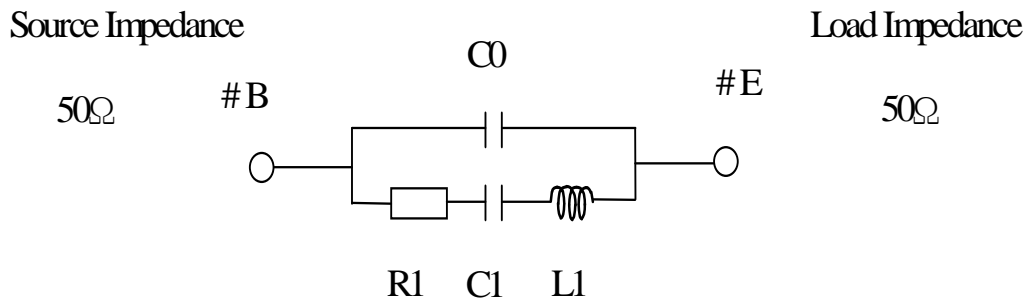
Characteristic	Units	Min.	Typ.	Max.
Center frequency Fr	MHz	622.375	622.41	622.445
Insertion Loss IL	dB	-	1.9	2.5
Equivalent Elements				
Motional capacitance C1	fF	-	1.09	-
Motional inductance L1	μH	-	59.83	-
Motional resistance R1	Ohm	-	24.35	-
Parallel capacitance Co	pF	-	2.54	-
Temp. coeff.	ppm/c*2	-	0.032	-
Turnover To	deg. C	-	25	-
Package size	SMD 3.0 X 3.0 X 1.4mm			

SAW Resonator: 622.410MHz
Part No: MP07203

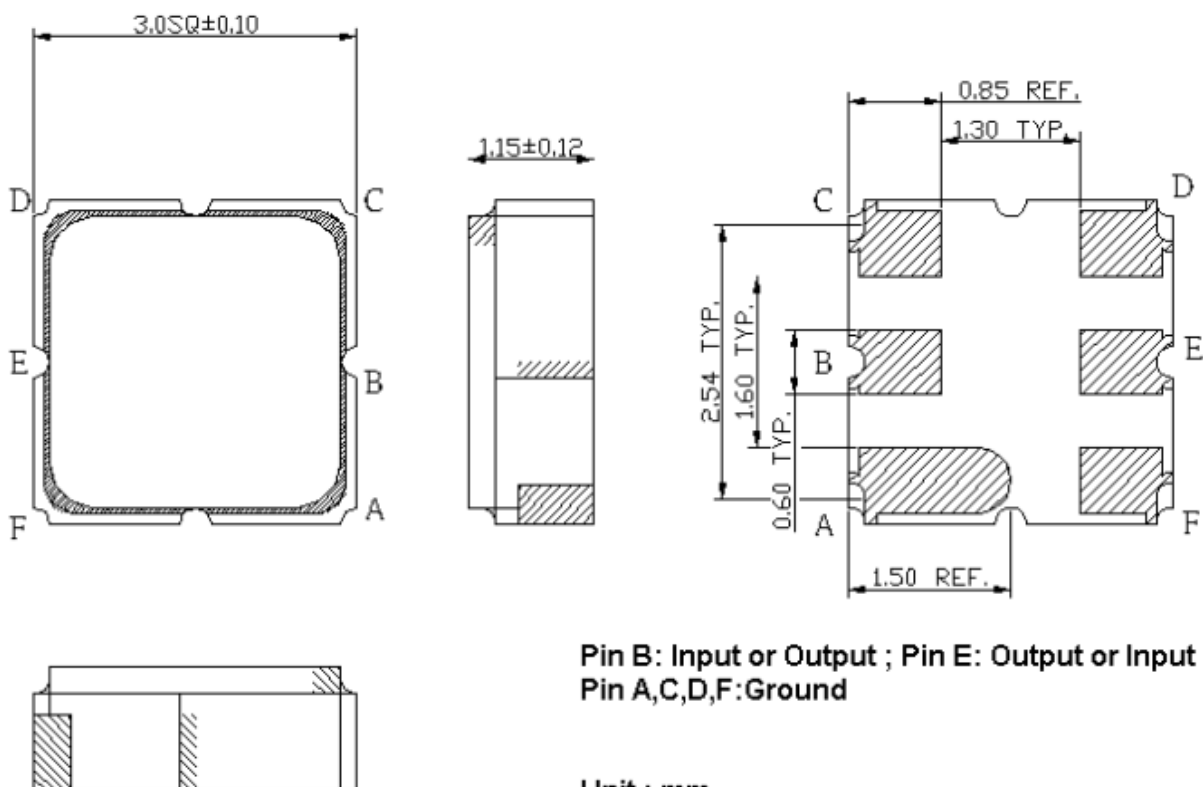
Model: TC0506A
Rev No: 1

D. EQUIVALENT CIRCUIT:

One-Port Resonator:



E. OUTLINE DRAWING:



SAW Resonator: 622.410MHz
Part No: MP07203

Model: TC0506A
Rev No: 1

F. FREQUENCY CHARACTERISTICS:

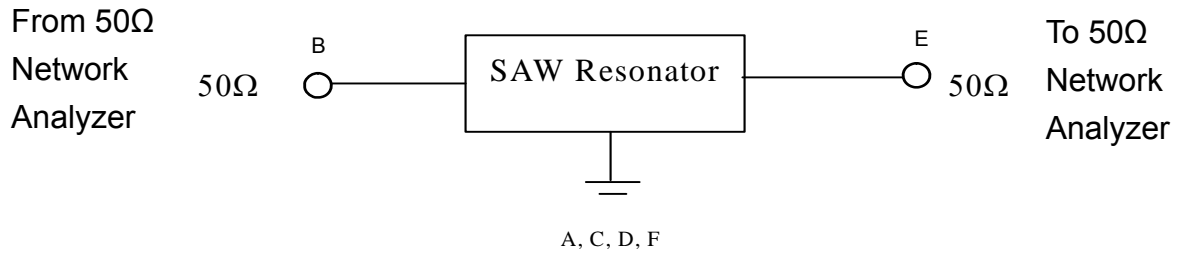


SAW Resonator: 622.410MHz
Part No: MP07203

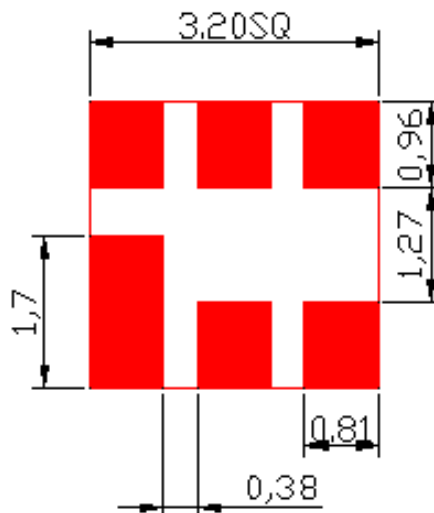
Model: TC0506A
Rev No: 1

G. TEST CIRCUIT:

Network analyzer



H. LAND PATTERN:



SAW Resonator: 622.410MHz
Part No: MP07203

Model: TC0506A
Rev No: 1

J. RECOMMENDED REFLOW PROFILE:

