

SAW Filter 428.0MHz
Part No: MP07228

Model: TA1675A
Rev No: 1

A. MAXIMUM RATING:

Electrostatic Sensitive Device (ESD)

1. Input Power Level: 10dBm
2. DC Voltage: 5V
3. Operating Temperature: -30°C to +70°C
4. Storage Temperature: -40°C to +85°C

B. ELECTRICAL CHARACTERISTICS:

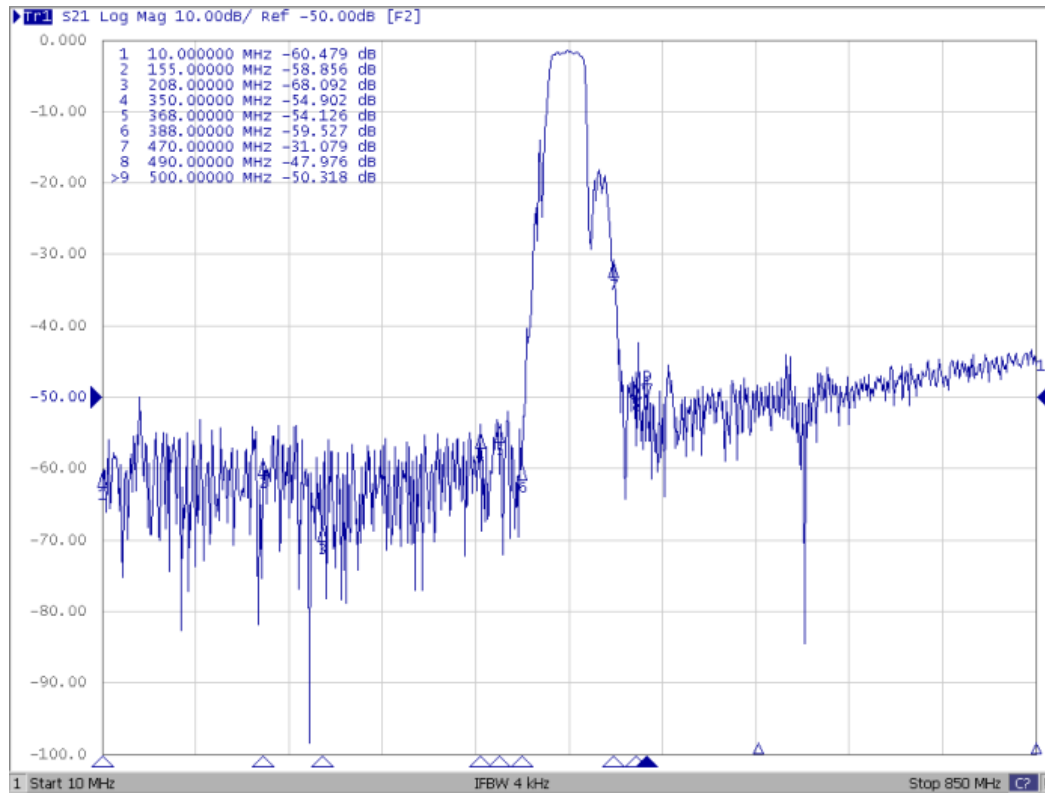
Item	Unit	Min.	Typ.	Max.
Center frequency Fc MHz		-	428	-
1dB Bandwidth MHz	dB	20	27	-
VSWR	dB		1.7	2.0
Insertion loss 418 ~ 438MHz	dB	-	2.0	3.3
Attenuation (reference from 0dB)				
10 ~ 155MHz	dB	35	51	-
208 ~ 350MHz	dB	30	55	-
350 ~ 368MHz	dB	25	53	-
368 ~ 388MHz	dB	15	52	-
470 ~ 490MHz	dB	15	31	-
490 ~ 500MHz	dB	25	42	-
500 ~ 600MHz	dB	30	45	-
600 ~ 850MHz	dB	27	43	-
Source impedance ZS	Ω	-	50	-
Load impedance ZL	Ω	-	50	-

SAW Filter 428.0MHz
Part No: MP07228

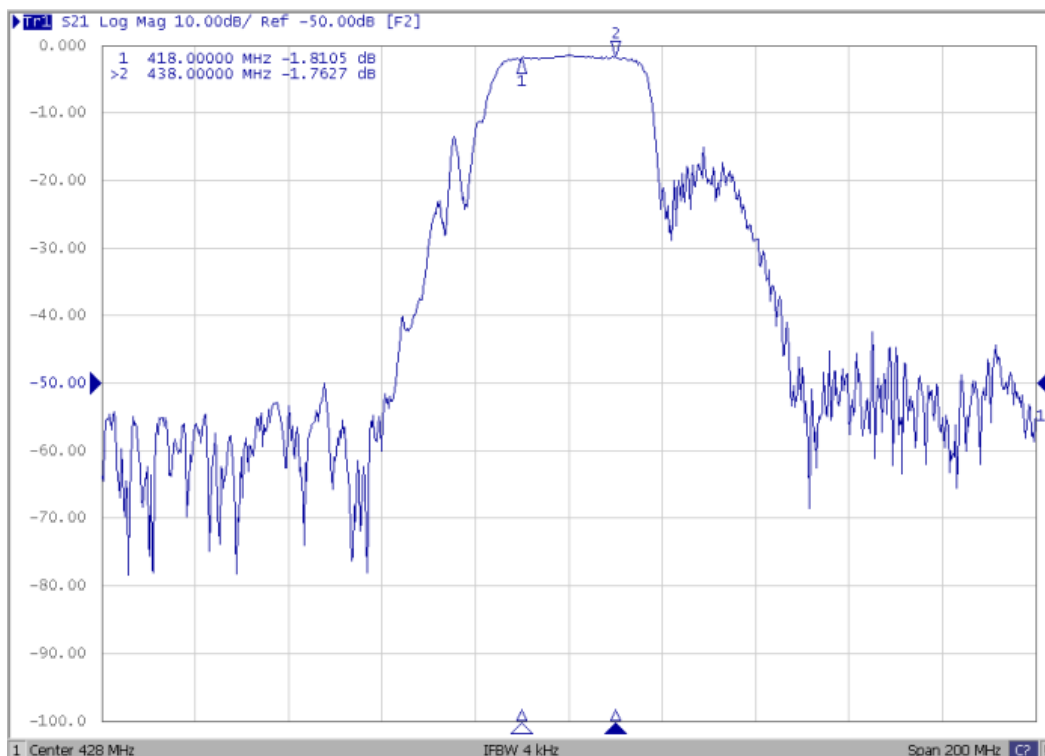
Model: TA1675A
Rev No: 1

C. FREQUENCY CHARACTERISTICS:

1. Wideband response: (span 840MHz)



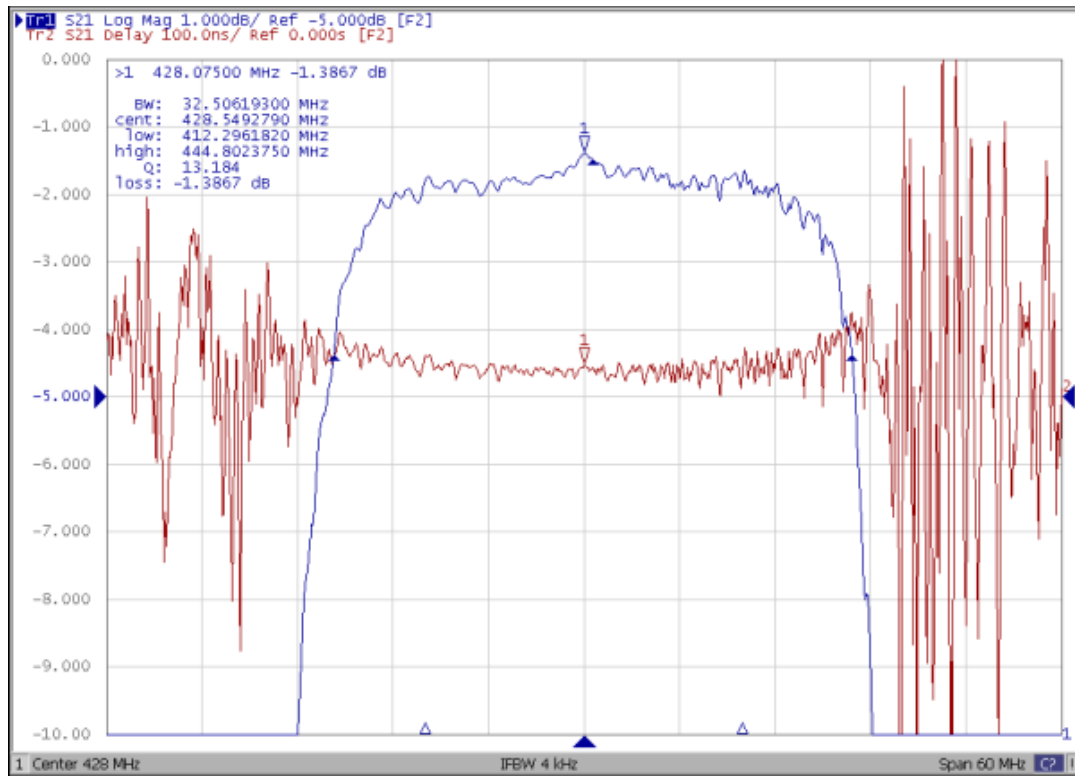
2. S21 response: (span 200MHz)



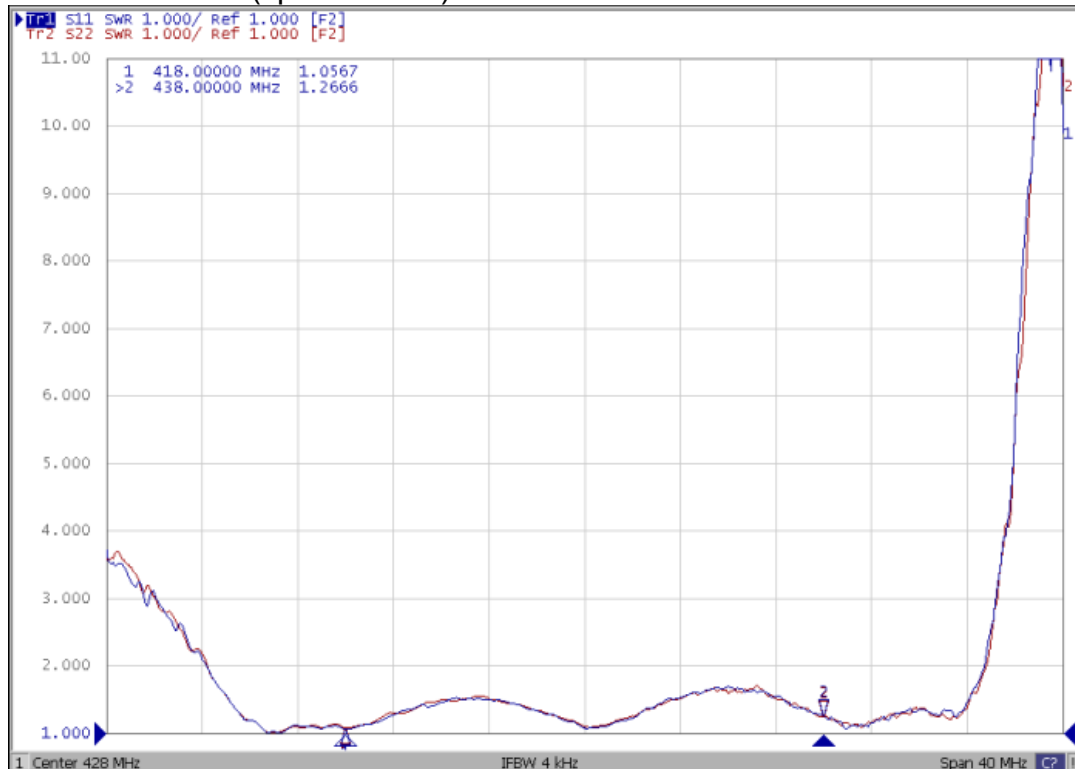
SAW Filter 428.0MHz
Part No: MP07228

Model: TA1675A
Rev No: 1

3. Passband response: (span 60MHz)



4. S11 & S22 VSWR: (span 40MHz)

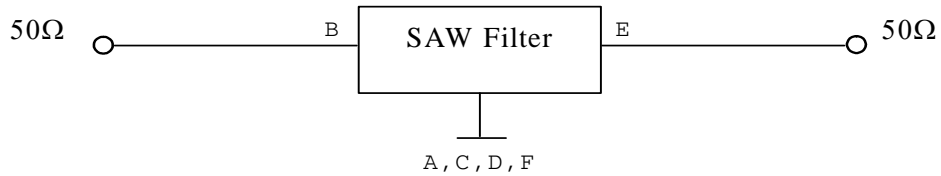


SAW Filter 428.0MHz
Part No: MP07228

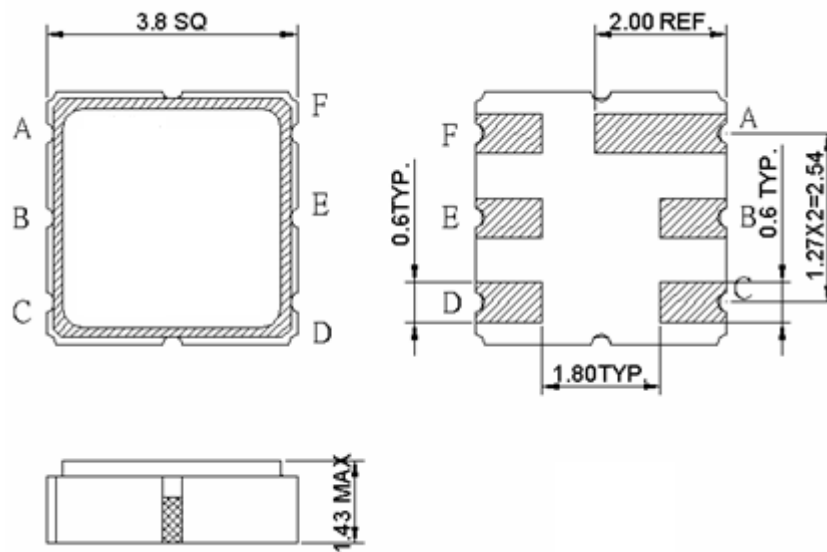
Model: TA1675A
Rev No: 1

D. MEASUREMENT CIRCUIT:

HP Network analyzer

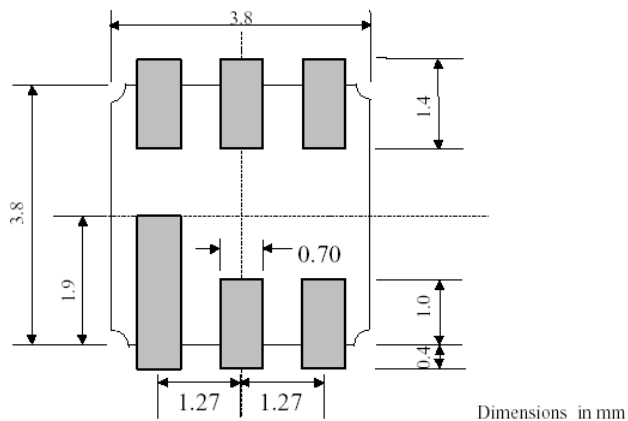


E. OUTLINE DRAWING:



B: Input
 E: Output
 A, C, D, F: Ground
 Unit: mm

F. PCB FOOTPRINT:

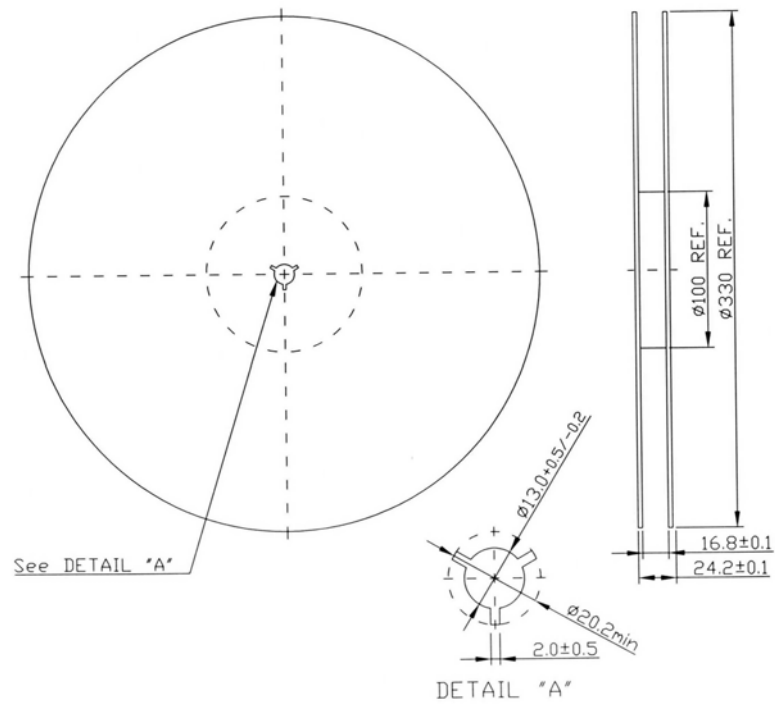


SAW Filter 428.0MHz
Part No: MP07228

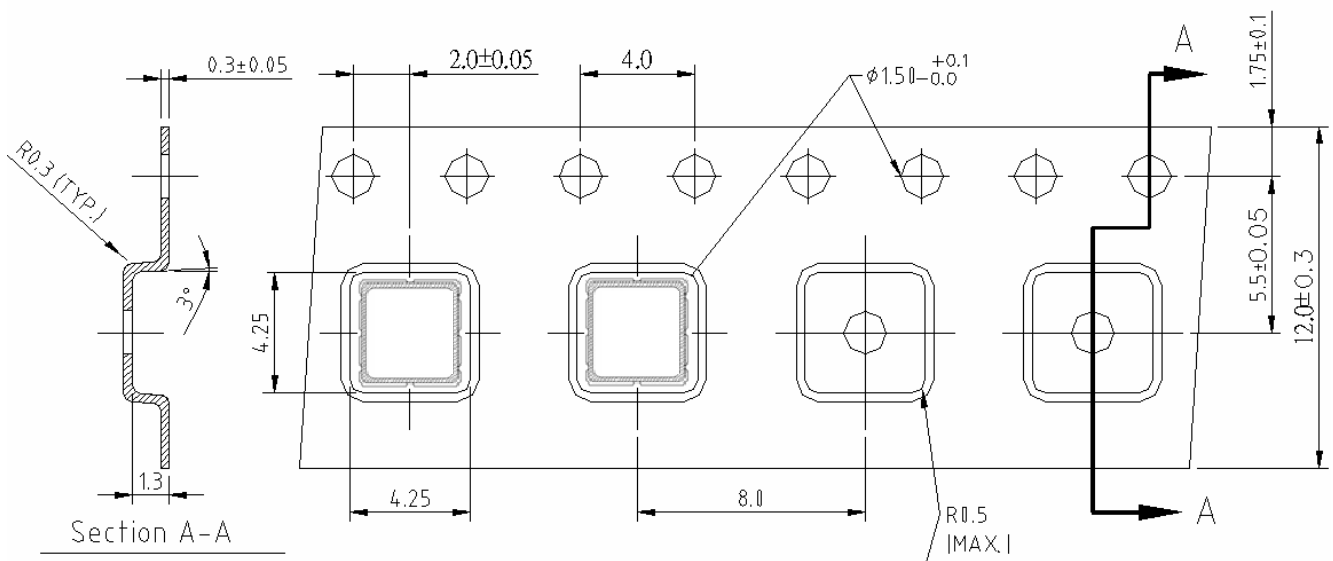
Model: TA1675A
Rev No: 1

G. PACKING:

1. Reel Dimension (Please refer to FR-75D10 for packing quantity)



2. Tape Dimension



SAW Filter 428.0MHz
Part No: MP07228

Model: TA1675A
Rev No: 1

H. RECOMMENDED REFLOW PROFILE:

