

**SAW Filter 2350.0MHz**

**Model: TA1963A**

**Part No: MP07327**

**Rev No: 1**

**A. MAXIMUM RATING:**

Electrostatic Sensitive Device (ESD)

1. Input Power Level: 28dBm
2. DC Voltage: 0V
3. Operating Temperature: -30°C to +85°C
4. Storage Temperature: -40°C to +85°C
5. ESD 50V (MM) 100V (HBM)

**B. ELECTRICAL CHARACTERISTICS:**

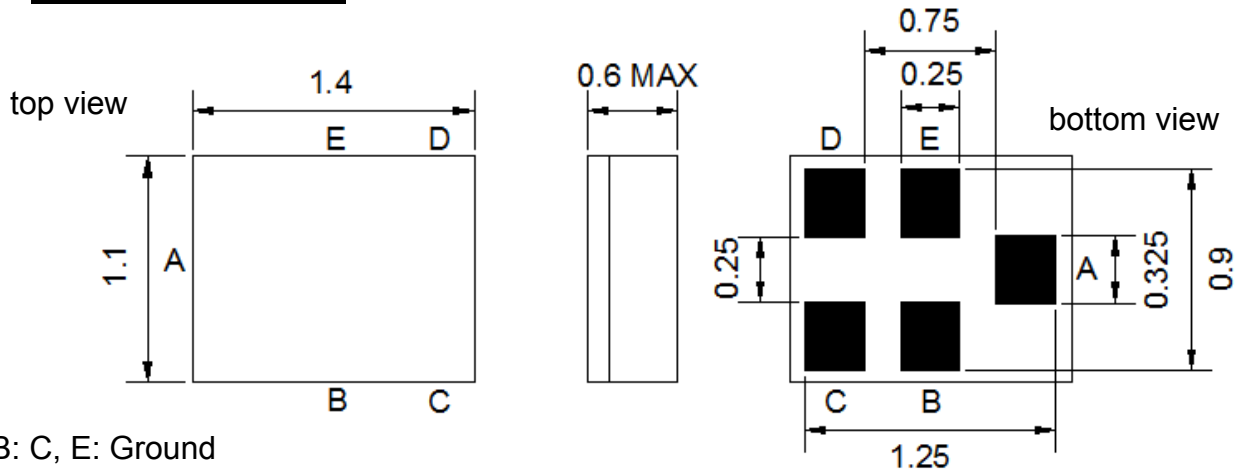
1. Terminating source impedance:  $Z_S = 50\Omega$
2. Terminating load impedance:  $Z_L = 50\Omega$

Item	Unit	Min.	Typ.	Max.	Note
Center Frequency Fc	MHz	-	2350	-	-
Insertion Loss (2300 ~ 2400 MHz) IL	dB	-	1.8	2.8	-
Amplitude ripple (2300 ~ 2400MHz)	dB p-p	-	1.2	2.3	-
VSWR (2300 ~ 2400MHz)		-	1.6	2.0	-
Attenuation (reference level from 0dB)					
10 ~ 1574MHz	dB	20	27	-	-
1574 ~ 1577MHz	dB	20	27		
1577 ~ 1680MHz	dB	20	26		
1845 ~ 1880MHz	dB	18	23	-	-
2110 ~ 2170MHz	dB	18	23	-	-
2240 ~ 2285MHz	dB	1.5	3	-	-
2415 ~ 2420MHz	dB	1.5	5	-	-
2420 ~ 2460MHz	dB	3	10	-	-
2460 ~ 2485MHz	dB	30	43	-	-
2485 ~ 2500MHz	dB	30	40		
2500 ~ 3000MHz	dB	20	27		
4600 ~ 4800MHz	dB	20	27		
4800 ~ 6000MHz	dB	20	22		
Temperature Coefficient of Frequency	ppm/°C	-	-36	-	-

**SAW Filter 2350.0MHz**  
**Part No: MP07327**

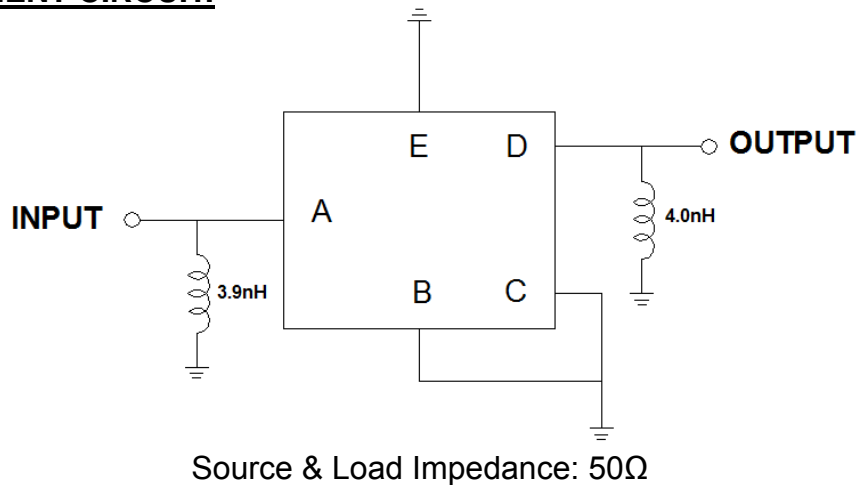
**Model: TA1963A**  
**Rev No: 1**

**C. OUTLINE DRAWING:**

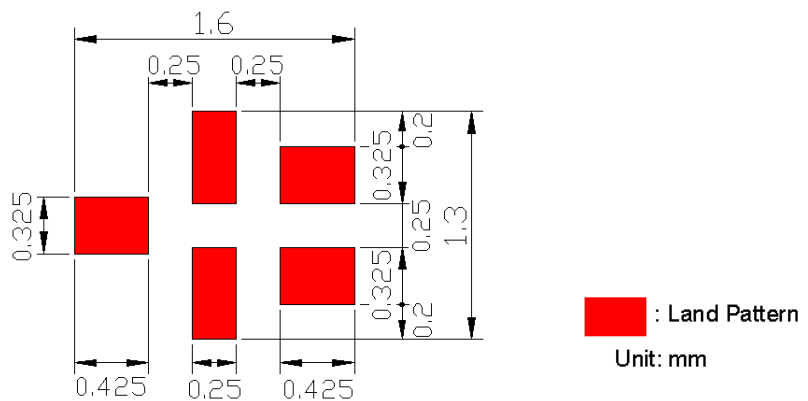


B: C, E: Ground  
 A: Input  
 D: Output

**D. MEASUREMENT CIRCUIT:**



**E. PCB FOOTPRINT:**

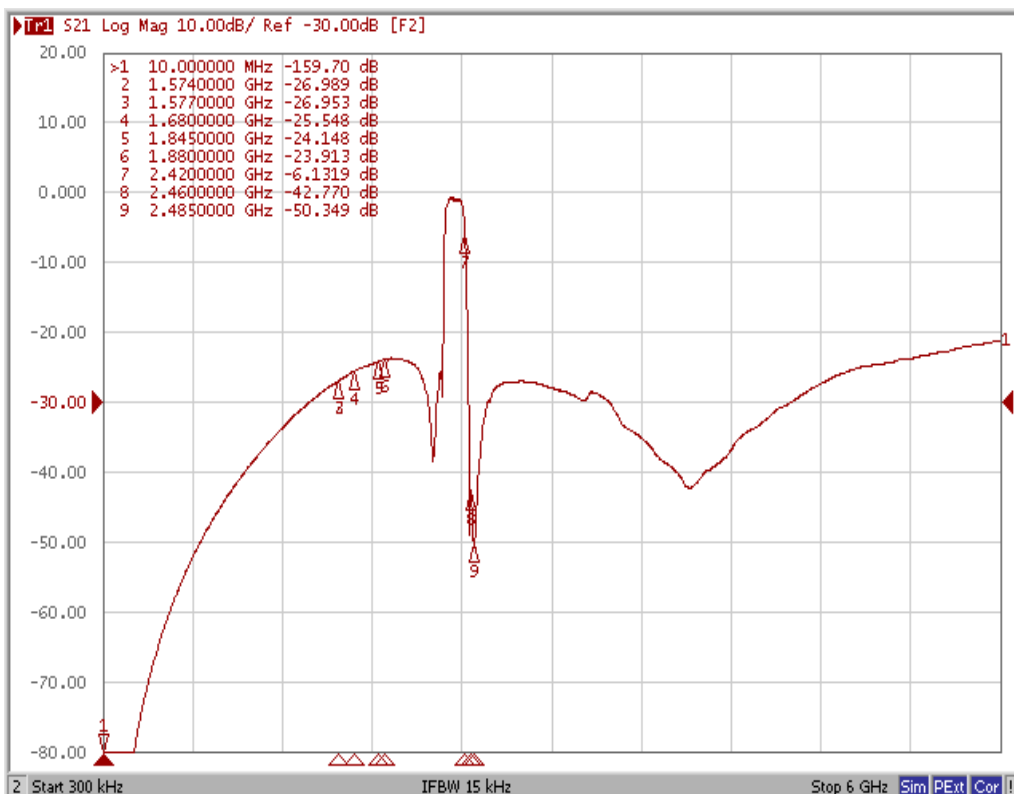
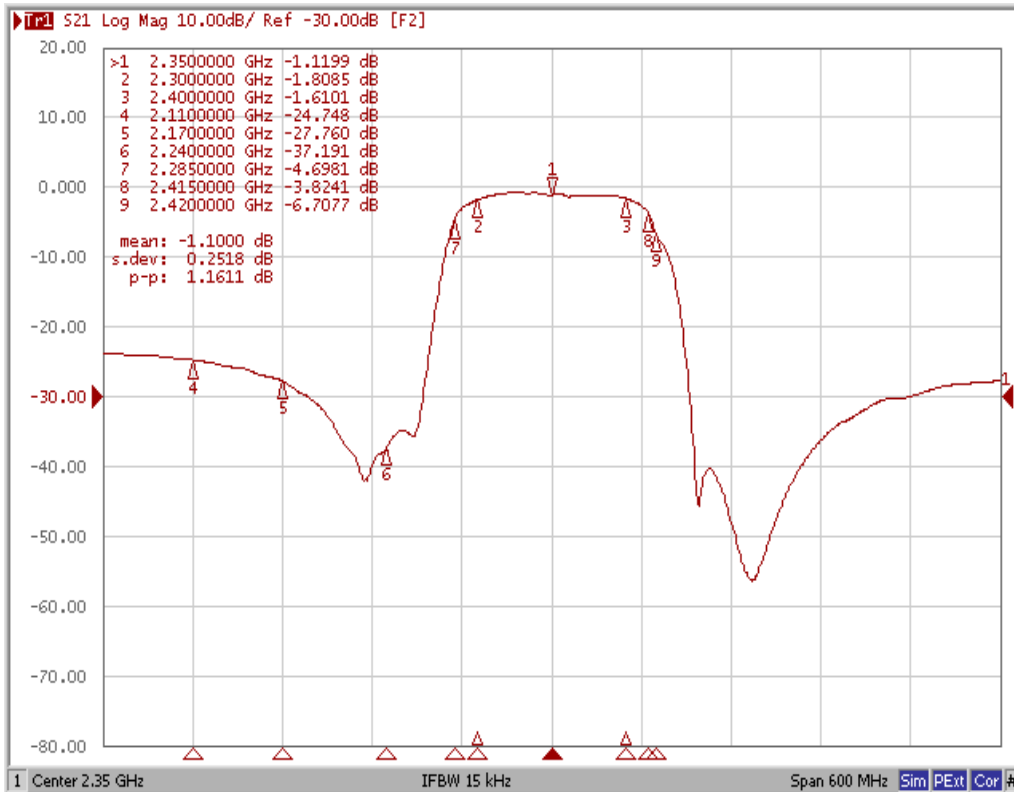


**SAW Filter 2350.0MHz**  
**Part No: MP07327**

**Model: TA1963A**  
**Rev No: 1**

**F. FREQUENCY CHARACTERISTICS:**

1. Frequency Response

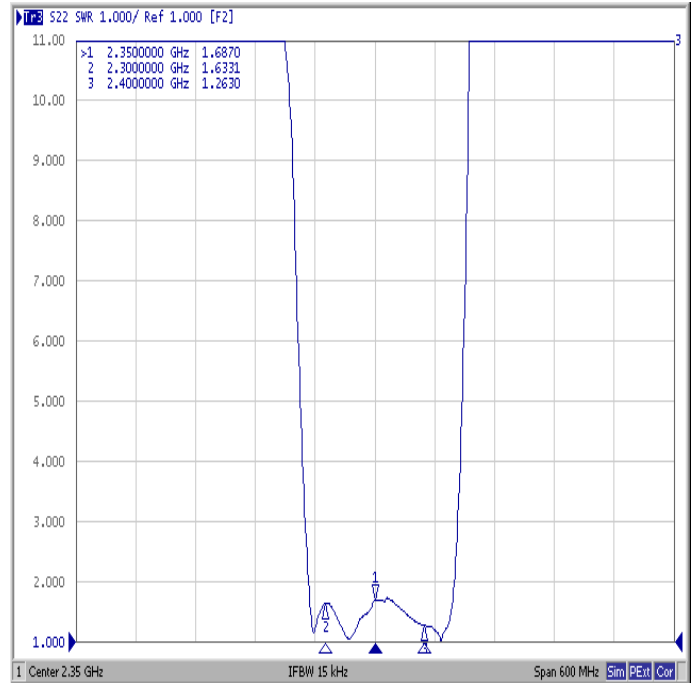
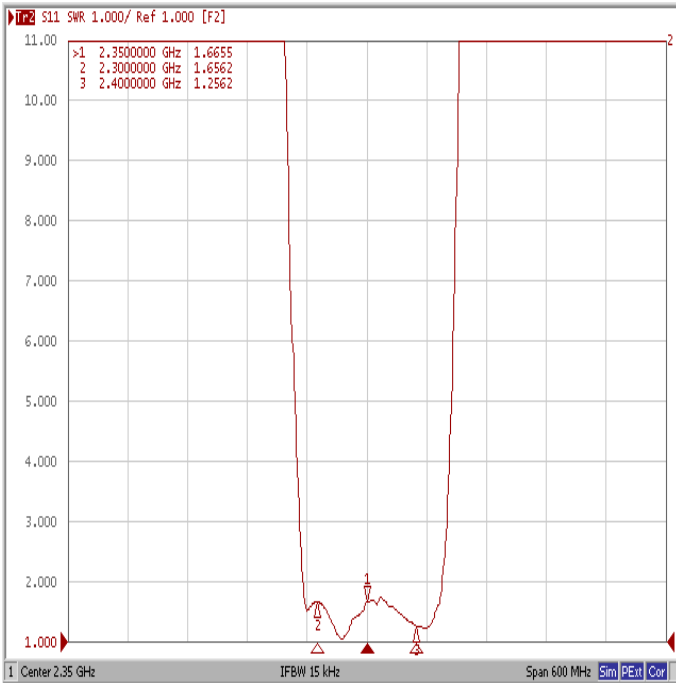


**SAW Filter 2350.0MHz**  
**Part No: MP07327**

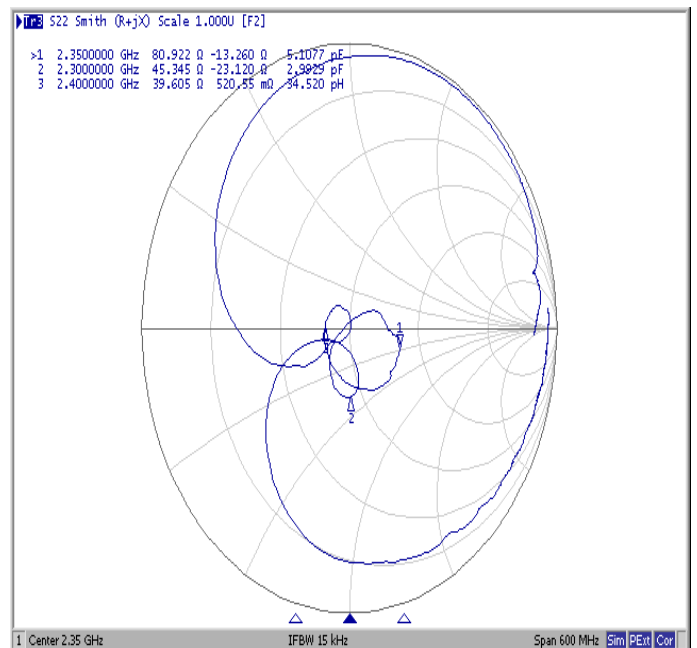
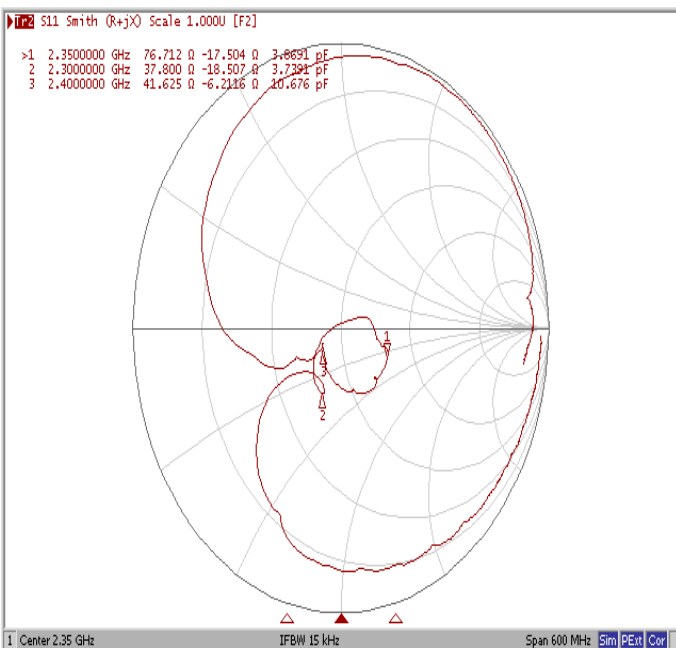
**Model: TA1963A**  
**Rev No: 1**

2. Reflection Functions

VSWR



Smith Chart

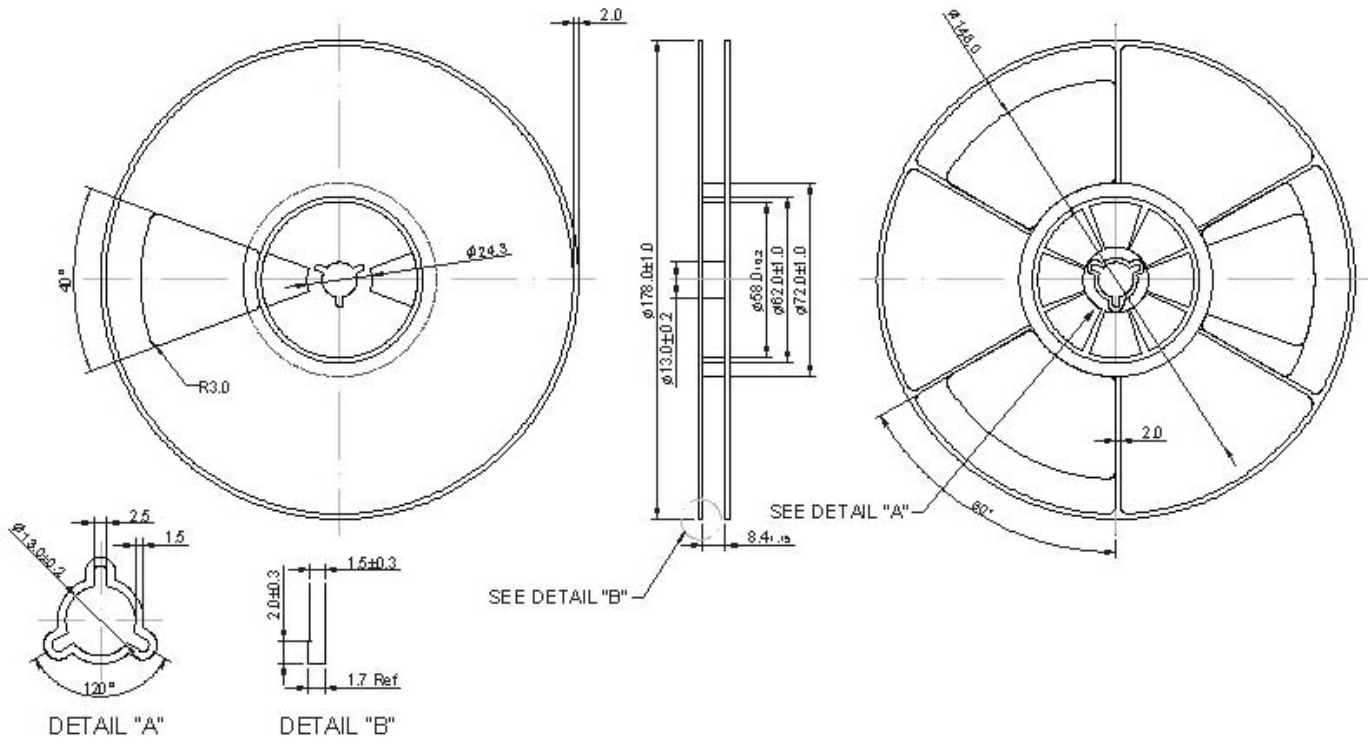


**SAW Filter 2350.0MHz**  
**Part No: MP07327**

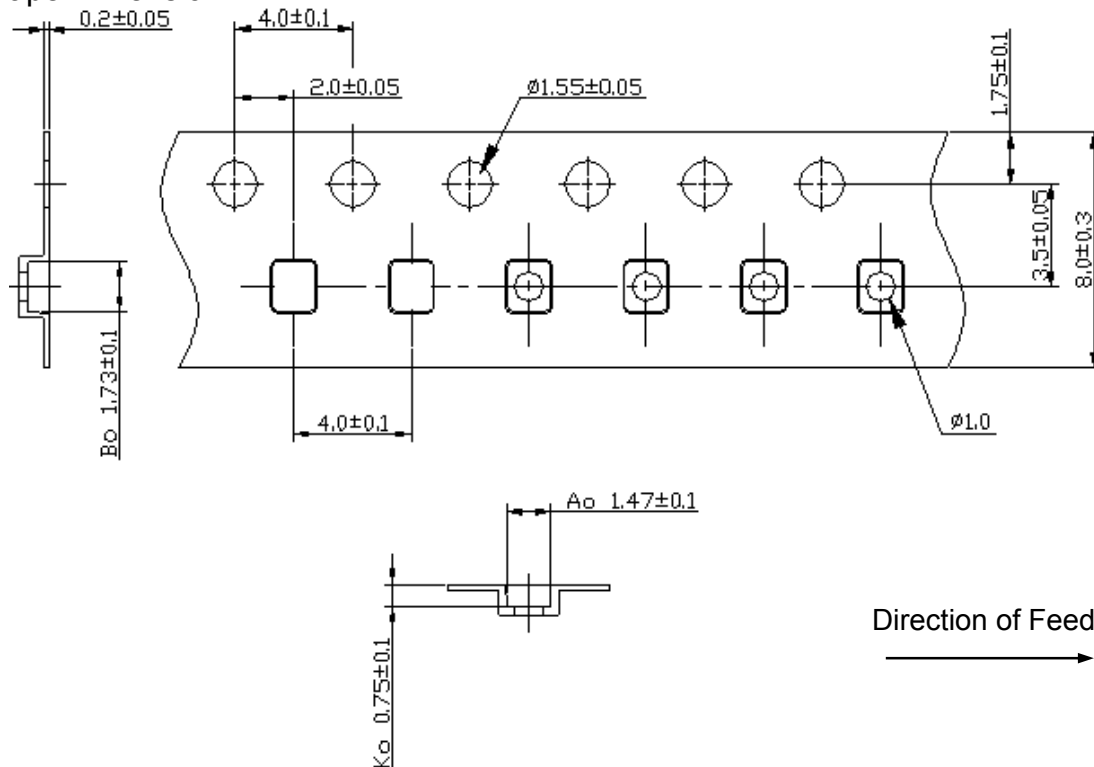
**Model: TA1963A**  
**Rev No: 1**

**G. PACKING:**

1. Reel Dimension (Reel Count: 7" = 3000)



2. Tape Dimension



**SAW Filter 2350.0MHz**  
**Part No: MP07327**

**Model: TA1963A**  
**Rev No: 1**

**H. RECOMMENDED REFLOW PROFILE:**

1. Preheating shall be fixed at 150 ~ 180°C for 60 ~ 90 seconds.
2. Ascending time to preheating temperature 150°C shall be 30 seconds min.
3. Heating shall be fixed at 220°C for 50 ~ 80 seconds and at 245 ~ 260°C peak (min. 10 sec).
4. Time: 2 times.

