

SAW Filter 2350.0MHz

Model: TA1966A

Part No: MP07328

Rev No: 1

A. MAXIMUM RATING:

Electrostatic Sensitive Device (ESD)

1. Input Power Level: 28dBm
2. DC Voltage: 0V
3. Operating Temperature: -30°C to +85°C
4. Storage Temperature: -40°C to +85°C
5. ESD 50V (MM) 100V (HBM)

B. ELECTRICAL CHARACTERISTICS:

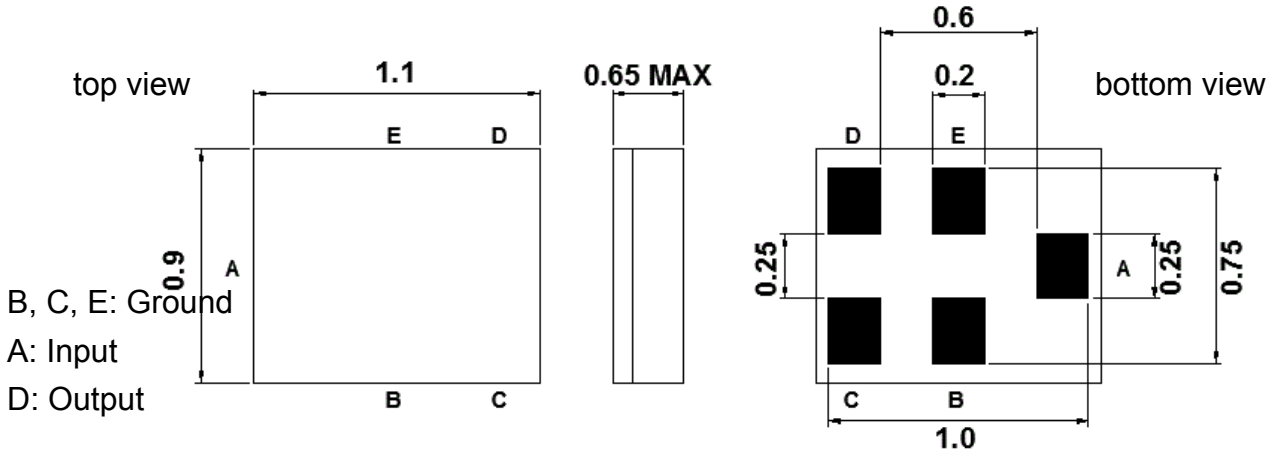
1. Terminating source impedance: $Z_S = 50\Omega$
2. Terminating load impedance: $Z_L = 50\Omega$

Item	Unit	Min.	Typ.	Max.	Note
Center Frequency Fc	MHz	-	2350	-	-
Insertion Loss (2300 ~ 2400MHz) IL	dB	-	1.9	2.8	-
Amplitude ripple (2300 ~ 2400MHz)	dBp-p	-	1.2	2.3	-
VSWR (2300 ~ 2400MHz)		-	1.5	2.0	-
Attenuation (reference level from 0dB)					
10 ~ 1574MHz	dB	20	29	-	-
1574 ~ 1577MHz	dB	20	29		
1577 ~ 1680MHz	dB	20	27		
1845 ~ 1880MHz	dB	18	25	-	-
2110 ~ 2170MHz	dB	18	25	-	-
2240 ~ 2285MHz	dB	1.5	7	-	-
2415 ~ 2420MHz	dB	1.5	5	-	-
2420 ~ 2460MHz	dB	3	6	-	-
2460 ~ 2485MHz	dB	30	43	-	-
2485 ~ 2500MHz	dB	30	48		
2500 ~ 3000MHz	dB	20	26		
4600 ~ 4800MHz	dB	20	25		
4800 ~ 6000MHz	dB	18	21		
Temperature Coefficient of Frequency	ppm/°C	-	-36	-	-

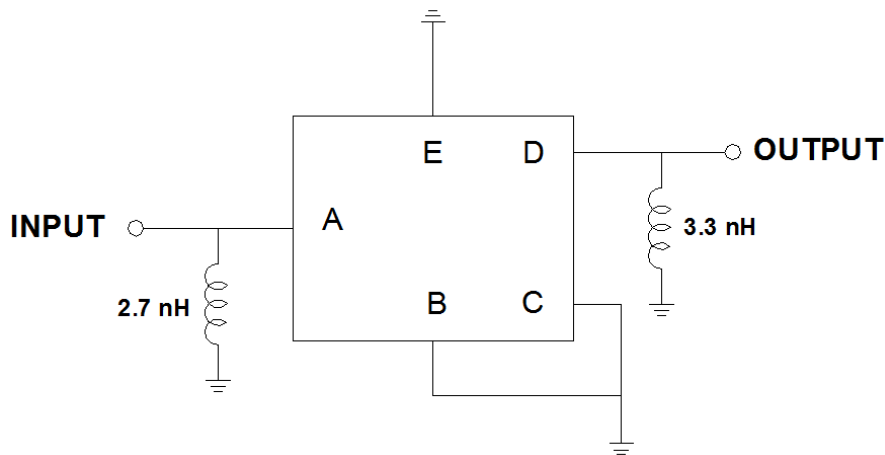
SAW Filter 2350.0MHz
Part No: MP07328

Model: TA1966A
Rev No: 1

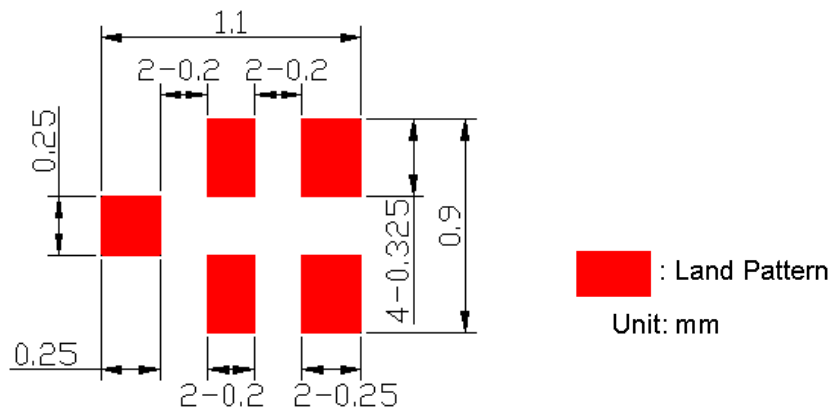
C. OUTLINE DRAWING:



D. MEASUREMENT CIRCUIT:



E. PCB FOOTPRINT:

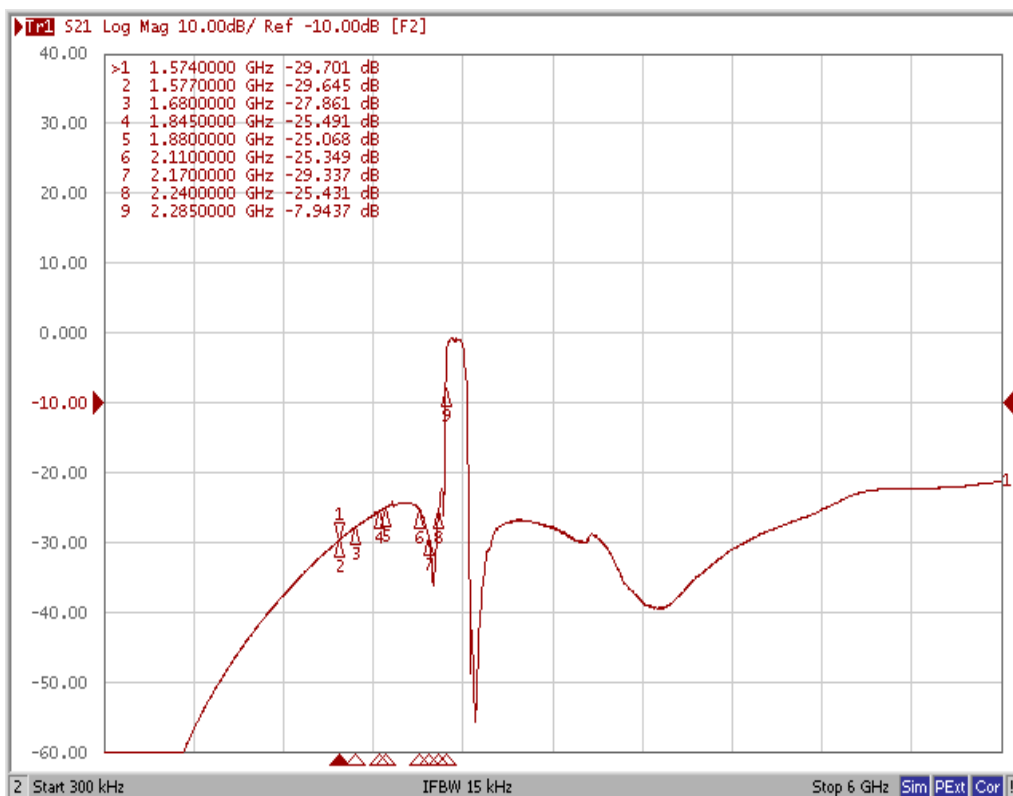
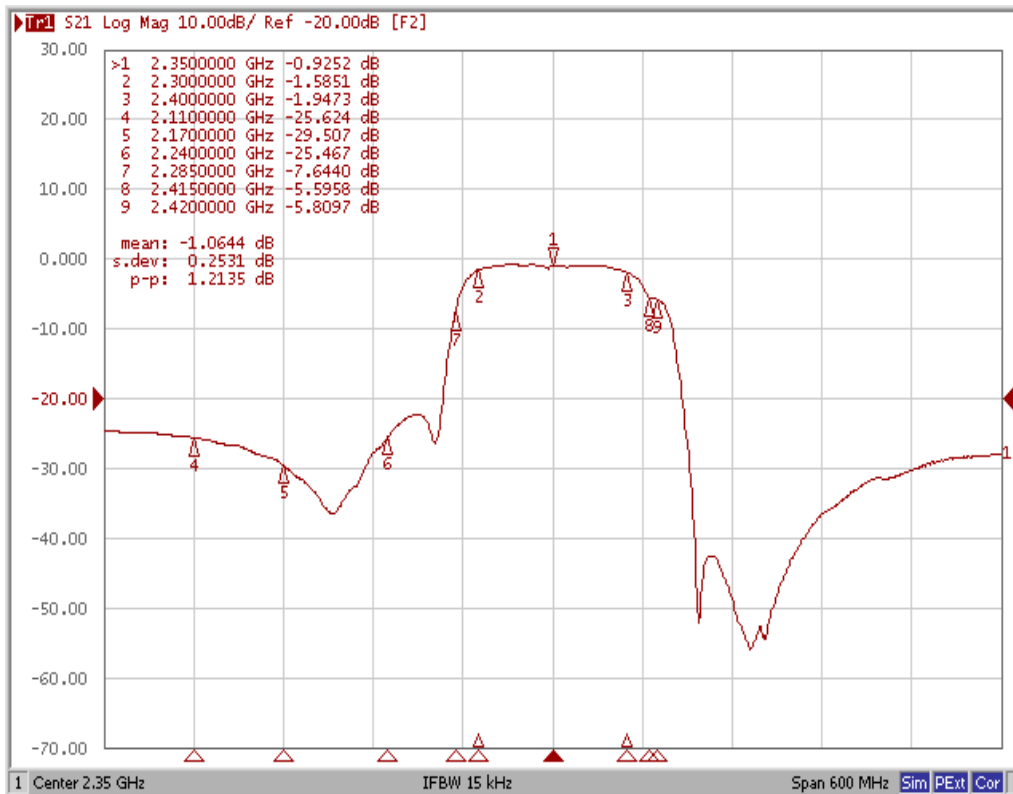


SAW Filter 2350.0MHz
Part No: MP07328

Model: TA1966A
Rev No: 1

F. FREQUENCY CHARACTERISTICS:

1. Frequency Response

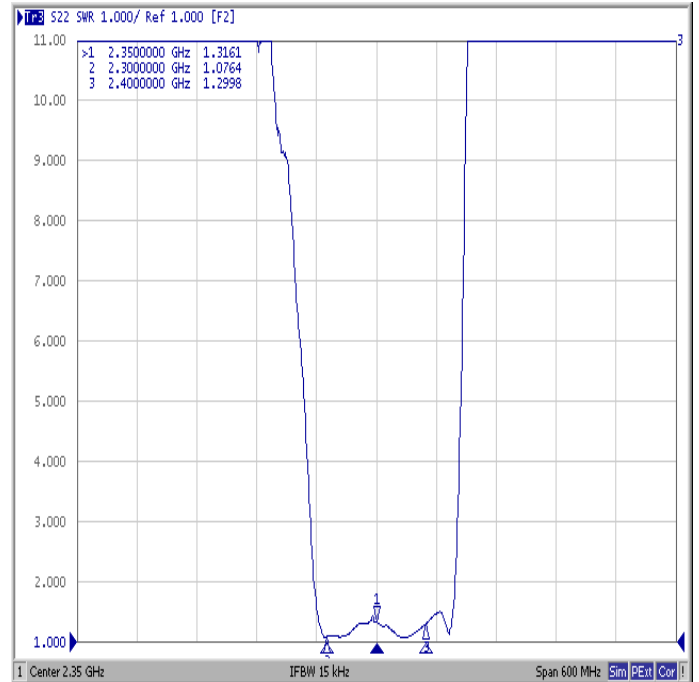
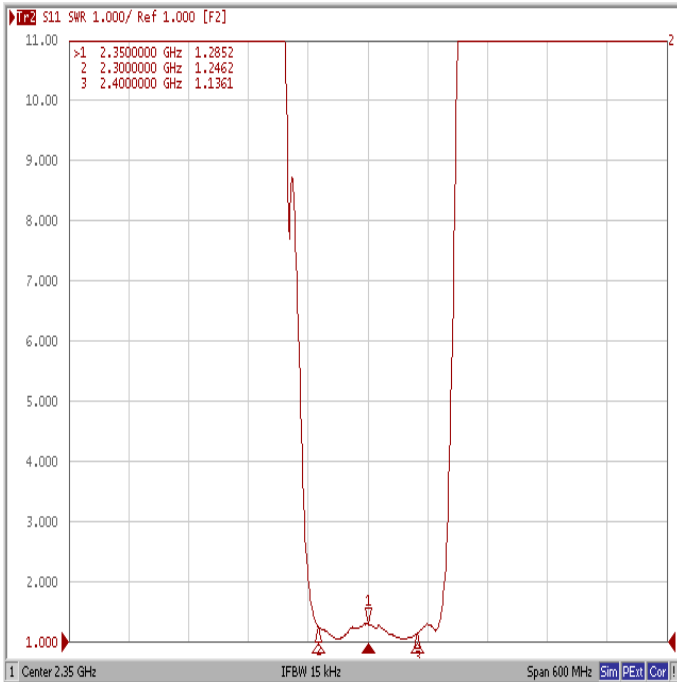


SAW Filter 2350.0MHz
Part No: MP07328

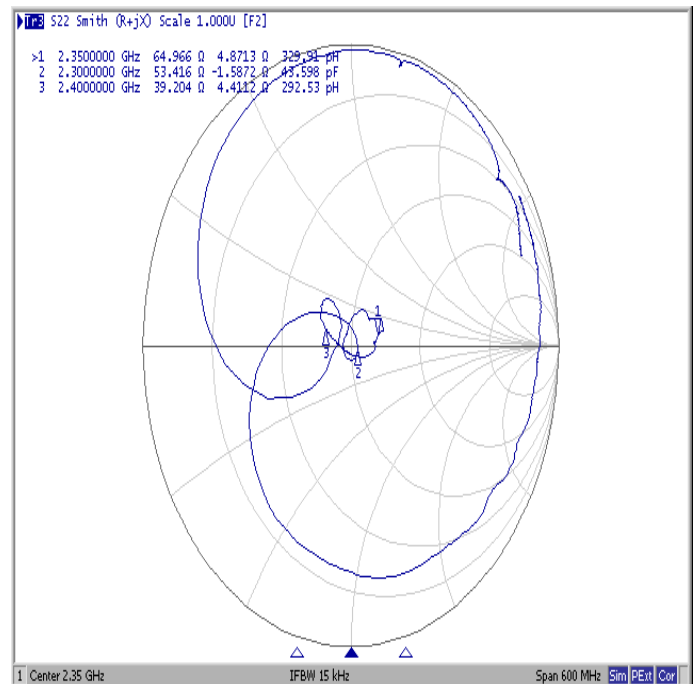
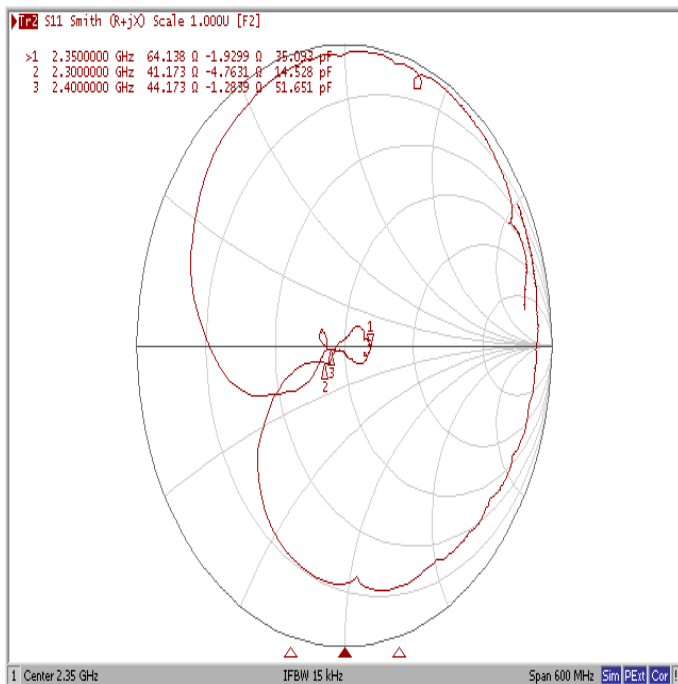
Model: TA1966A
Rev No: 1

2. Reflection Functions

VSWR



Smith Chart

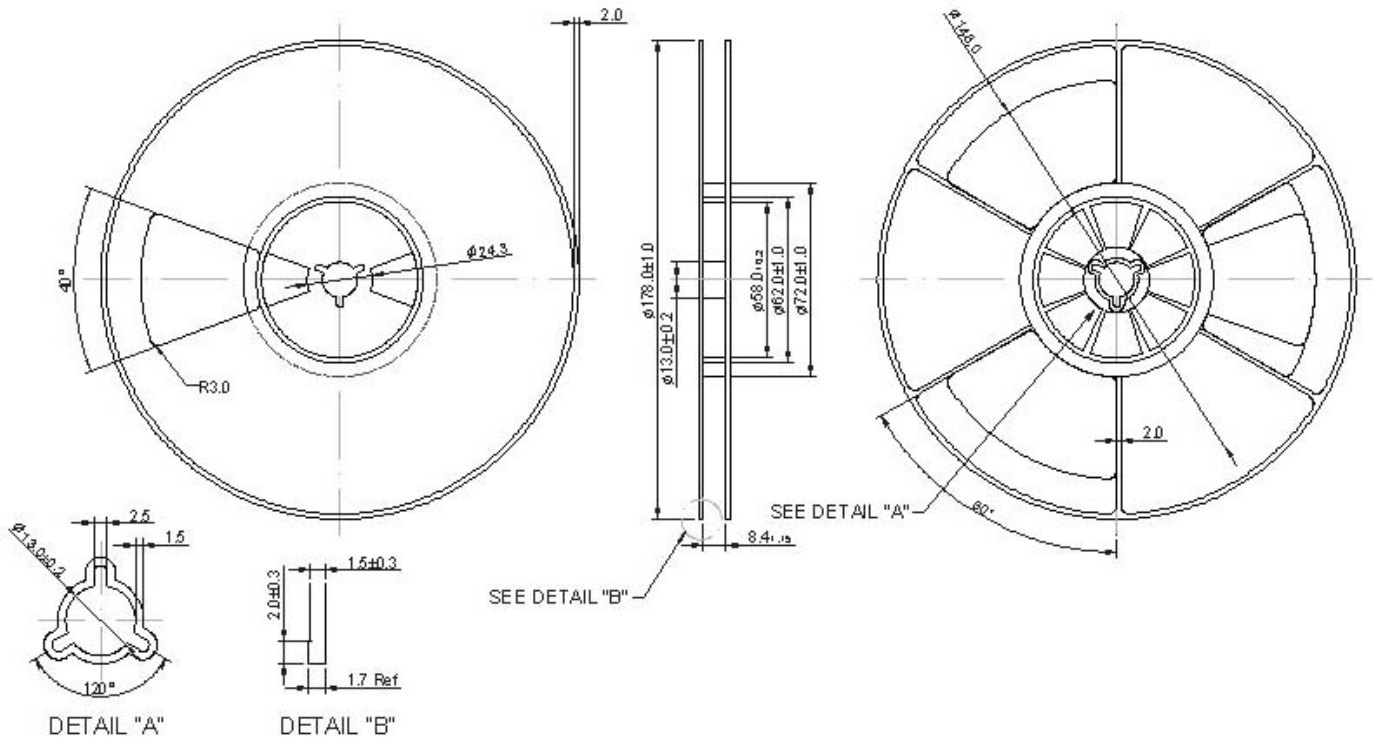


SAW Filter 2350.0MHz
Part No: MP07328

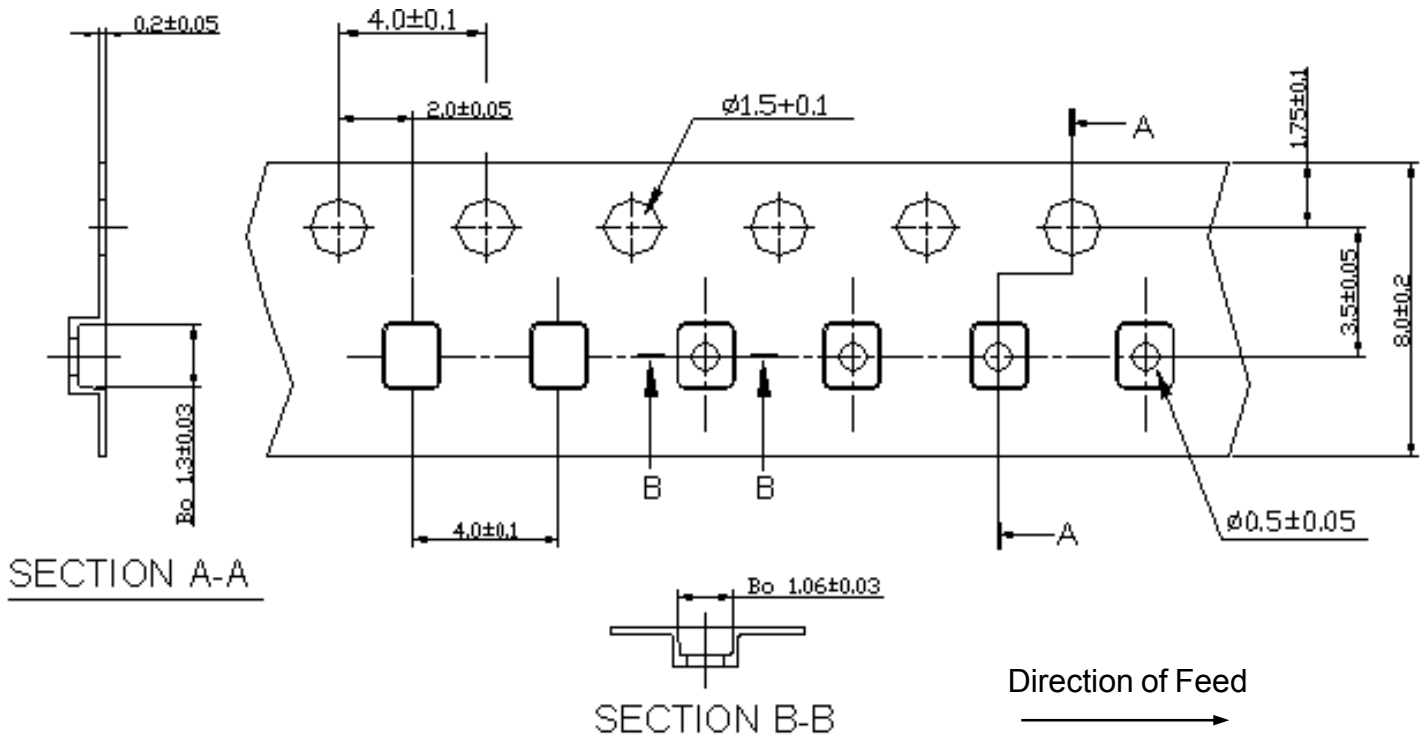
Model: TA1966A
Rev No: 1

G. PACKING:

1. Reel Dimension (Reel Count: 7" = 3000)



2. Tape Dimension



SAW Filter 2350.0MHz
Part No: MP07328

Model: TA1966A
Rev No: 1

H. RECOMMENDED REFLOW PROFILE:

1. Preheating shall be fixed at 150 ~ 180°C for 60 ~ 90 seconds.
2. Ascending time to preheating temperature 150°C shall be 30 seconds min.
3. Heating shall be fixed at 220°C for 50 ~ 80 seconds and at 245 ~ 260°C peak (min. 10 sec).
4. Time: 2 times.

