

SAW Resonator: 1279.60MHz
Part No: MP07375

Model: TC0630A
Rev No: 1

A. FEATURES:

One-Port Resonator

B. MAXIMUM RATING:

1. Input Power Level: 0dBm
2. DC voltage: 0V
3. Operating Temperature: -40°C to +85°C
4. Storage Temperature: -40°C to +85°C

C. ELECTRICAL CHARACTERISTICS:

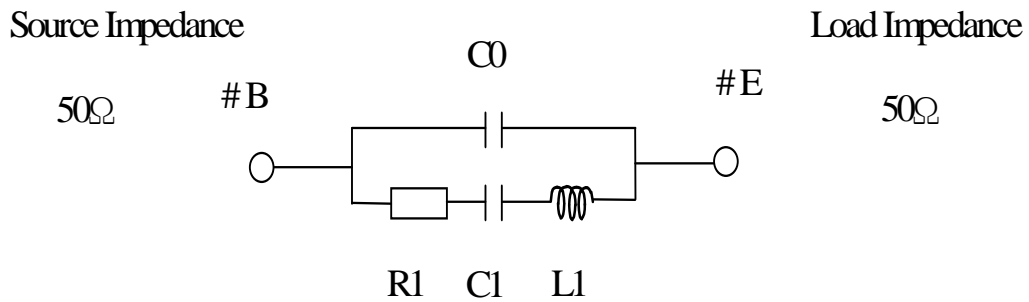
Characteristic	Units	Min.	Typ.	Max.
Center frequency Fr	MHz	1279.4	1279.6	1279.8
Insertion Loss IL	dB	-	1.6	2.0
Equivalent Elements				
Unload quality factor QU		4000	5000	
Motional capacitance C1	fF	-	3.5	-
Motional inductance L1	μ H	-	4.6	-
Motional resistance R1	Ohm	-	4.8	-
Parallel capacitance Co	pF	-	3	-
Temp. coeff.	ppm/c*2	-	0.05	-
Turnover To	deg.C	-	25	-
Package size		SMD 3.0 X 3.0 X 1.4mm		

SAW Resonator: 1279.60MHz
Part No: MP07375

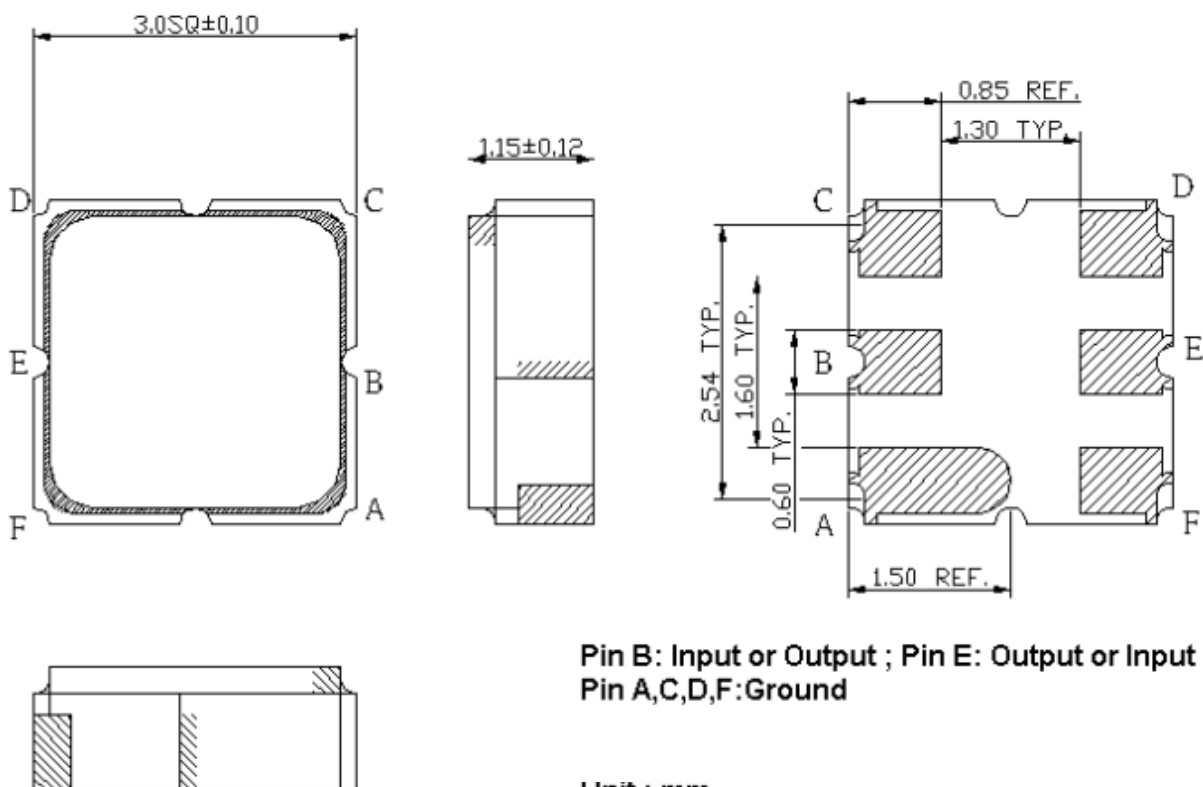
Model: TC0630A
Rev No: 1

D. EQUIVALENT CIRCUIT:

One-Port Resonator:



E. OUTLINE DRAWING:

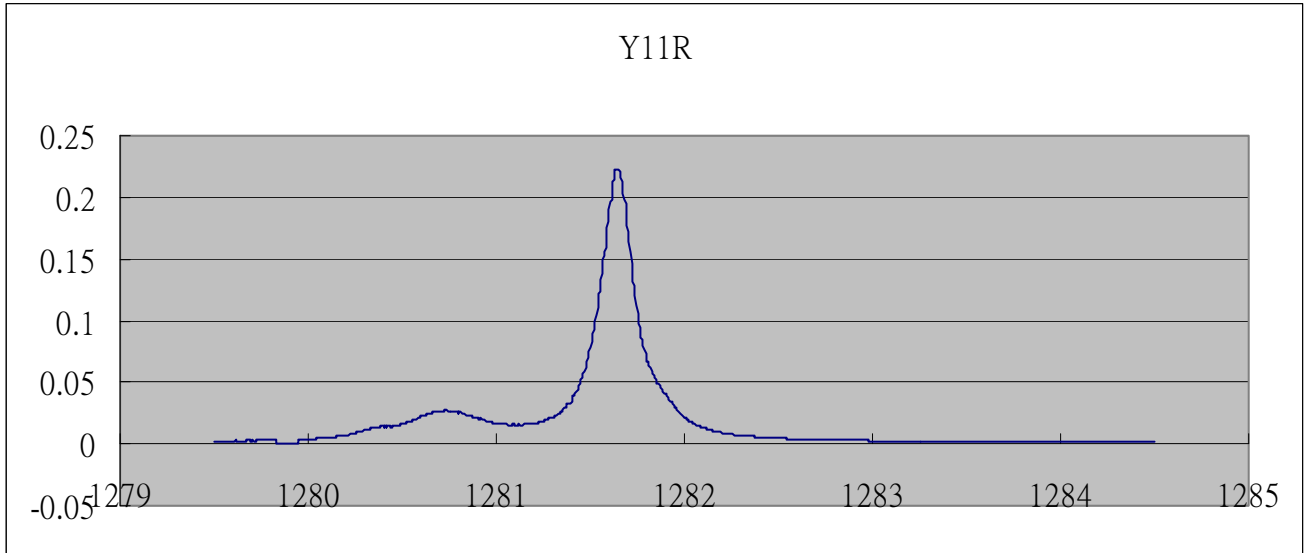


SAW Resonator: 1279.60MHz
Part No: MP07375

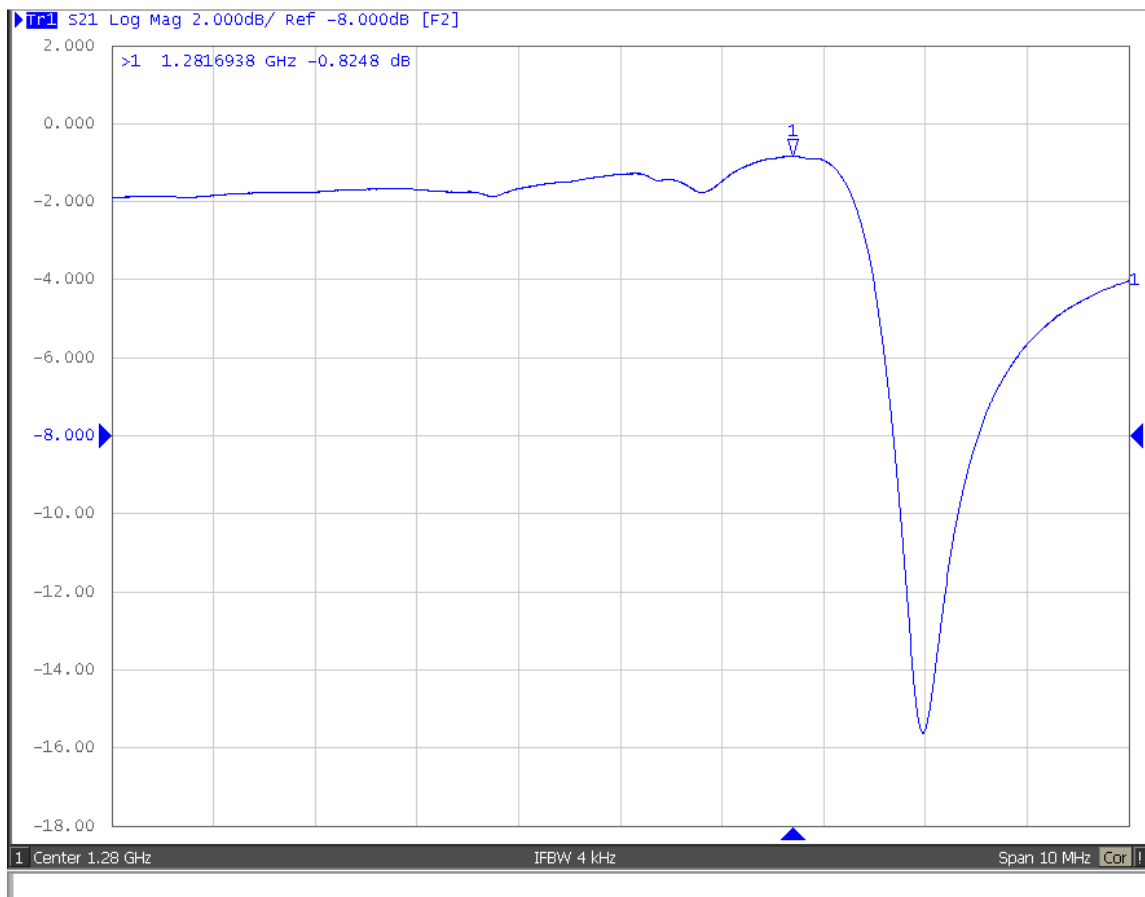
Model: TC0630A
Rev No: 1

F. FREQUENCY CHARACTERISTICS:

S11



S21

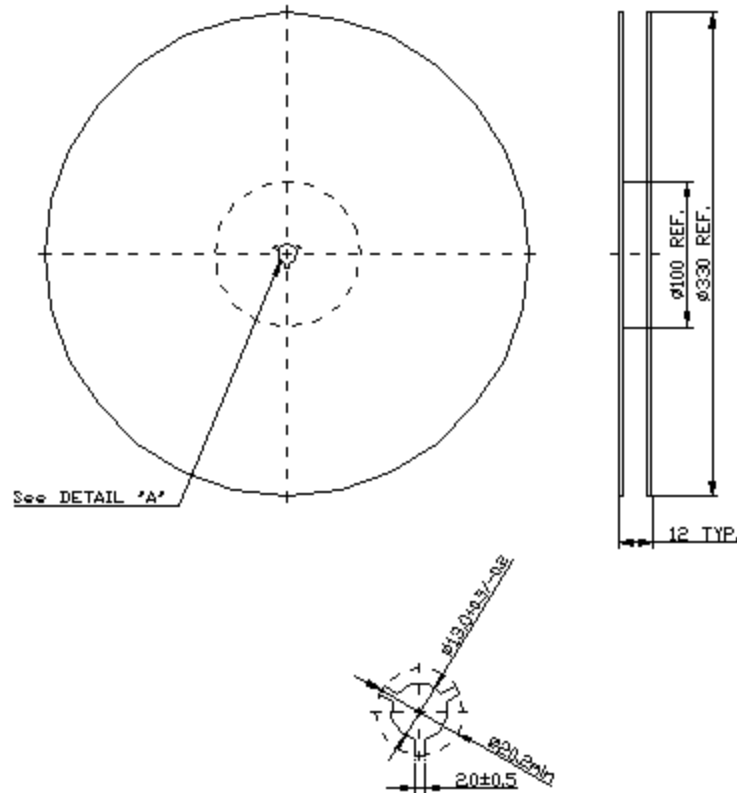


SAW Resonator: 1279.60MHz
Part No: MP07375

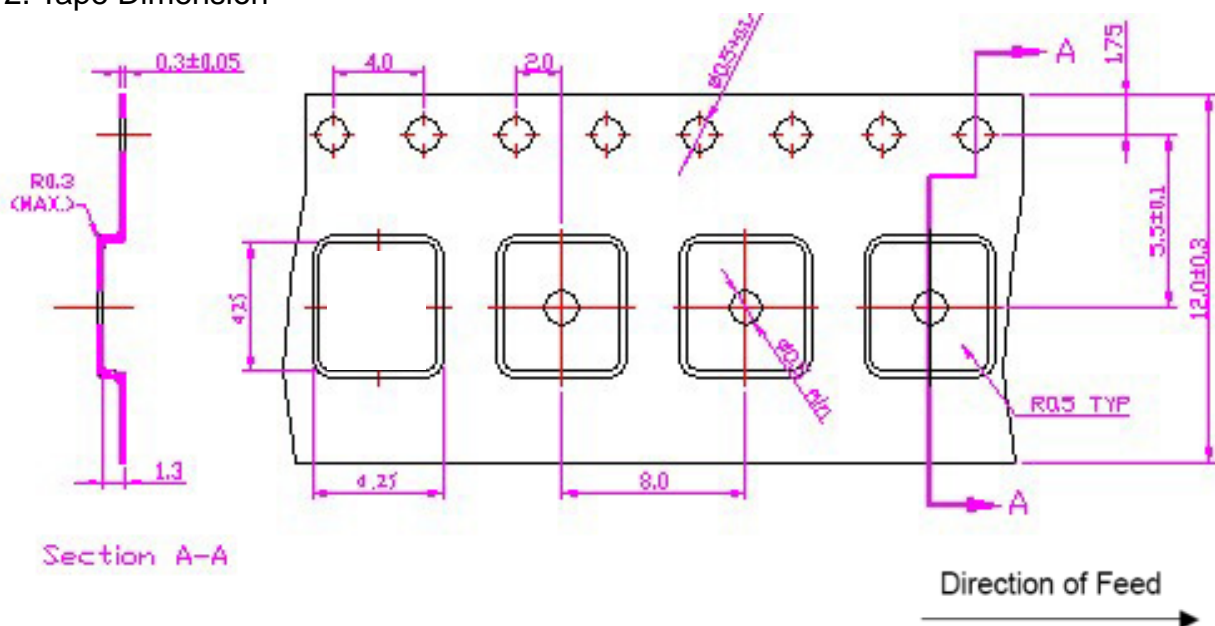
Model: TC0630A
Rev No: 1

G. PACKING:

1. Reel Dimension



2. Tape Dimension



SAW Resonator: 1279.60MHz
Part No: MP07375

Model: TC0630A
Rev No: 1

H. RECOMMENDED REFLOW PROFILE:

