

SAW Filter 2602.50MHz
Part No: MP07570

Model: TA1970A
Rev No: 1

A. MAXIMUM RATING:

Electrostatic Sensitive Device (ESD)

1. Input Power Level: 10dBm (In-band) 17dBm (Out- band)
2. Operating Temperature: -30°C to +85°C
3. Storage Temperature: -40°C to +85°C
4. ESD 50V (MM) 100V (HBM)

B. ELECTRICAL CHARACTERISTICS:

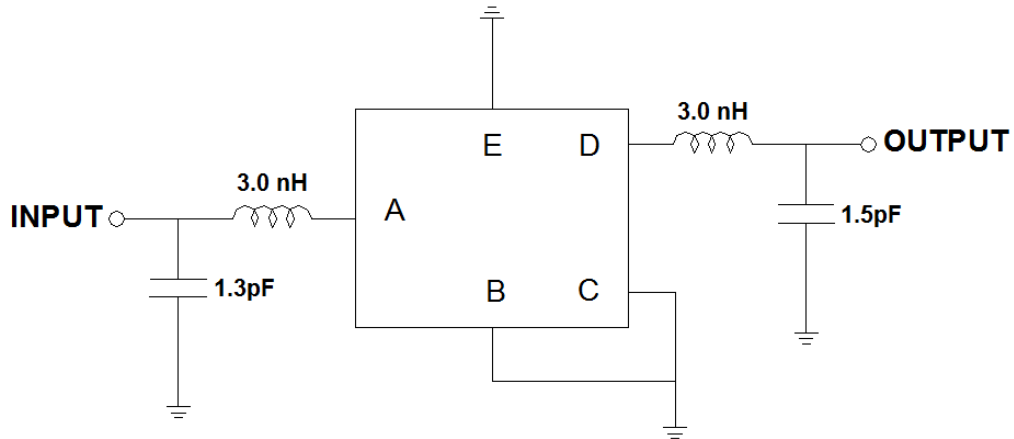
1. Terminating source impedance: $Z_S = 50\Omega$
2. Terminating load impedance: $Z_L = 50\Omega$

Item	Unit	Min.	Typ.	Max.	Note
Center Frequency Fc	MHz	-	2602.5	-	-
Insertion Loss (2550 ~ 2655MHz) IL	dB	-	1.8	2.7	-
Amplitude ripple (2550 ~ 2655MHz)	dB p-p	-	0.8	2.0	-
VSWR (2550 ~ 2655MHz)		-	1.6	2.0	-
Attenuation (reference level from 0dB)					
880 ~ 915MHz (GSM900 Tx)	dB	32	37	-	-
1710 ~ 1785MHz (DCS1800 Tx)	dB	32	37		
2401 ~ 2482MHz (ISM Band)	dB	20	28		
Temperature Coefficient of Frequency	ppm/°C	-	-36	-	-

SAW Filter 2602.50MHz
Part No: MP07570

Model: TA1970A
Rev No: 1

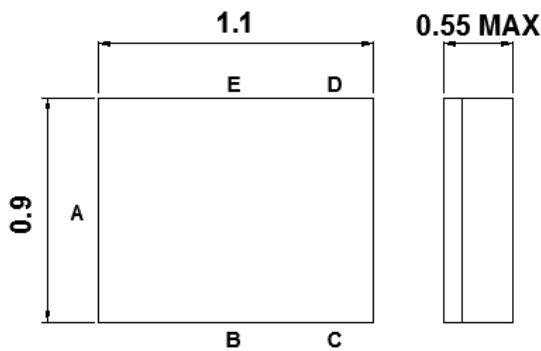
C. MEASUREMENT CIRCUIT:



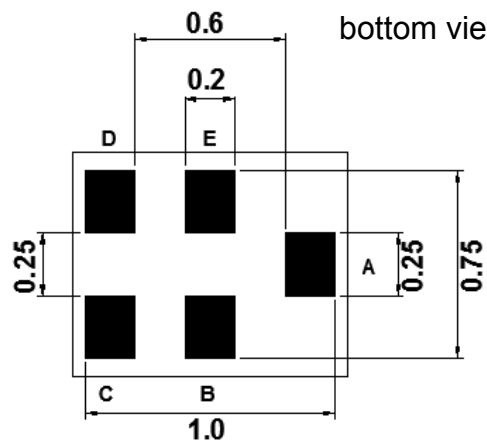
Source & Load Impedance: 50 Ω

D. OUTLINE DRAWING:

top view

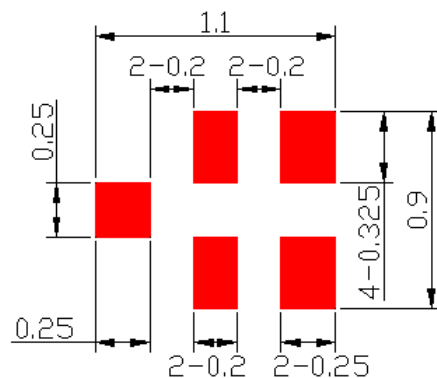


bottom view



- B, C, E: Ground
- A: Input
- D: Output

E. PCB FOOTPRINT:



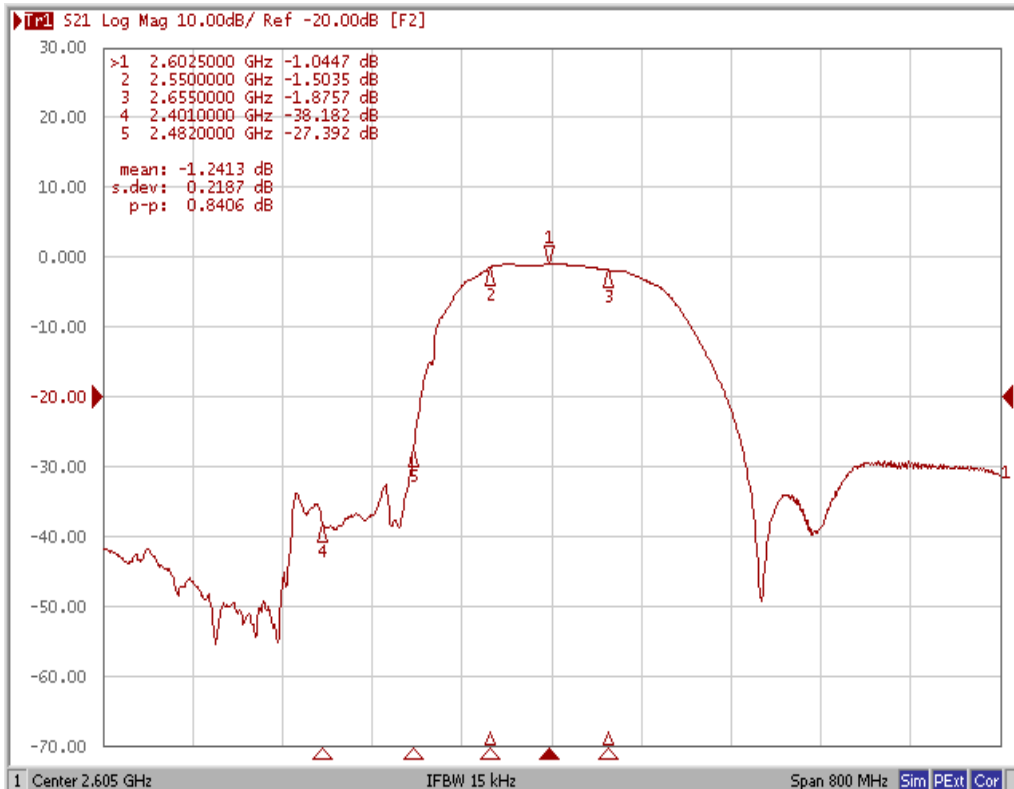
: Land Pattern
 Unit: mm

SAW Filter 2602.50MHz
Part No: MP07570

Model: TA1970A
Rev No: 1

F. FREQUENCY CHARACTERISTICS:

1. Frequency Response

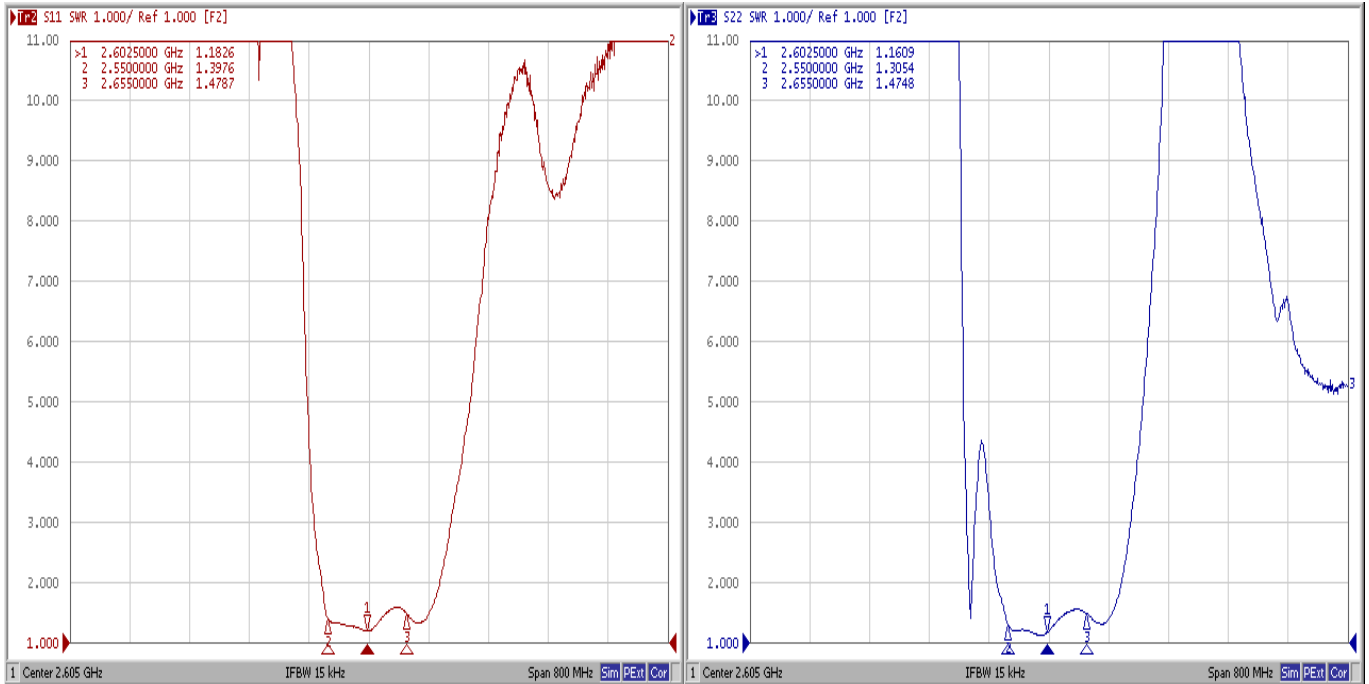


SAW Filter 2602.50MHz
Part No: MP07570

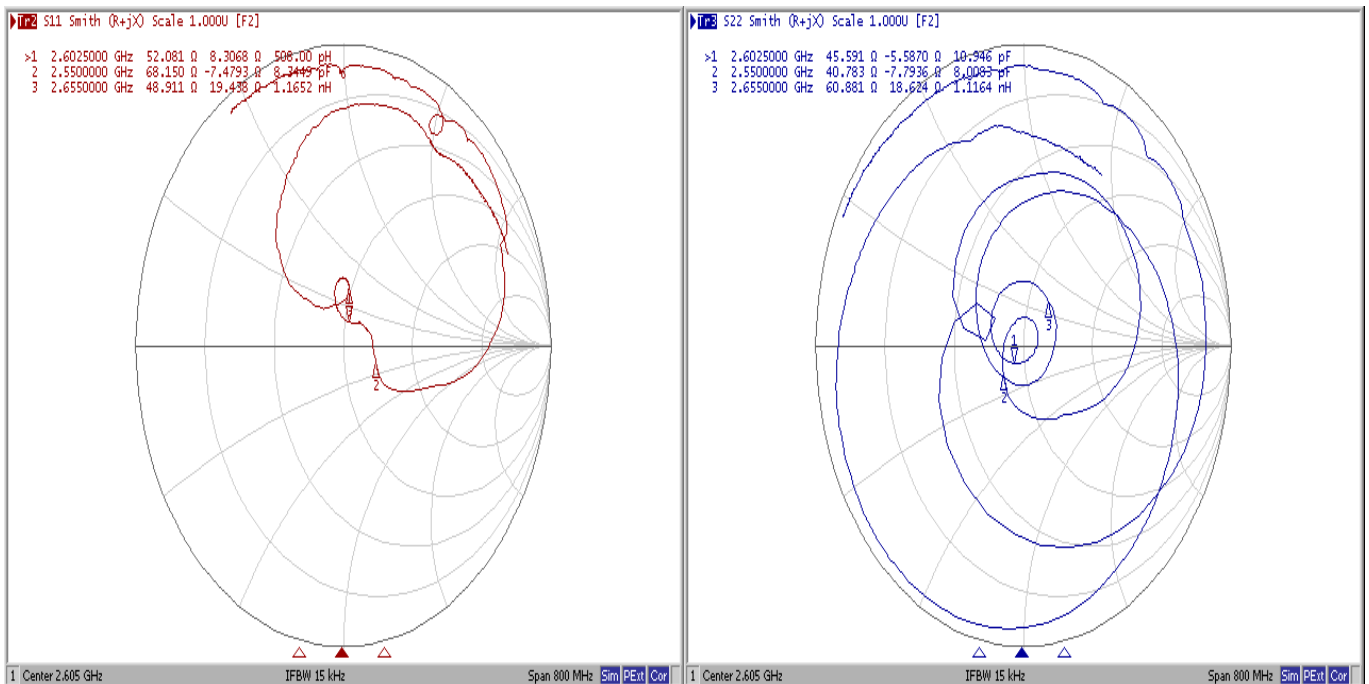
Model: TA1970A
Rev No: 1

2. Reflection Functions

VSWR



Smith Chart

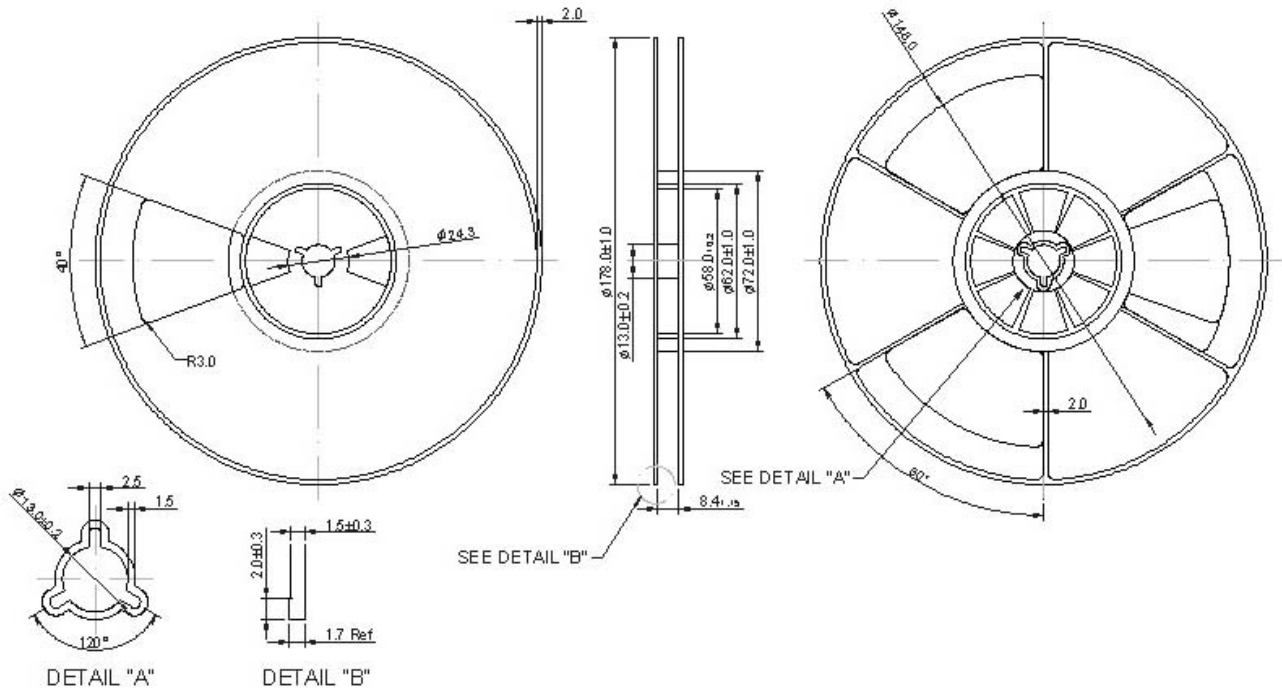


SAW Filter 2602.50MHz
Part No: MP07570

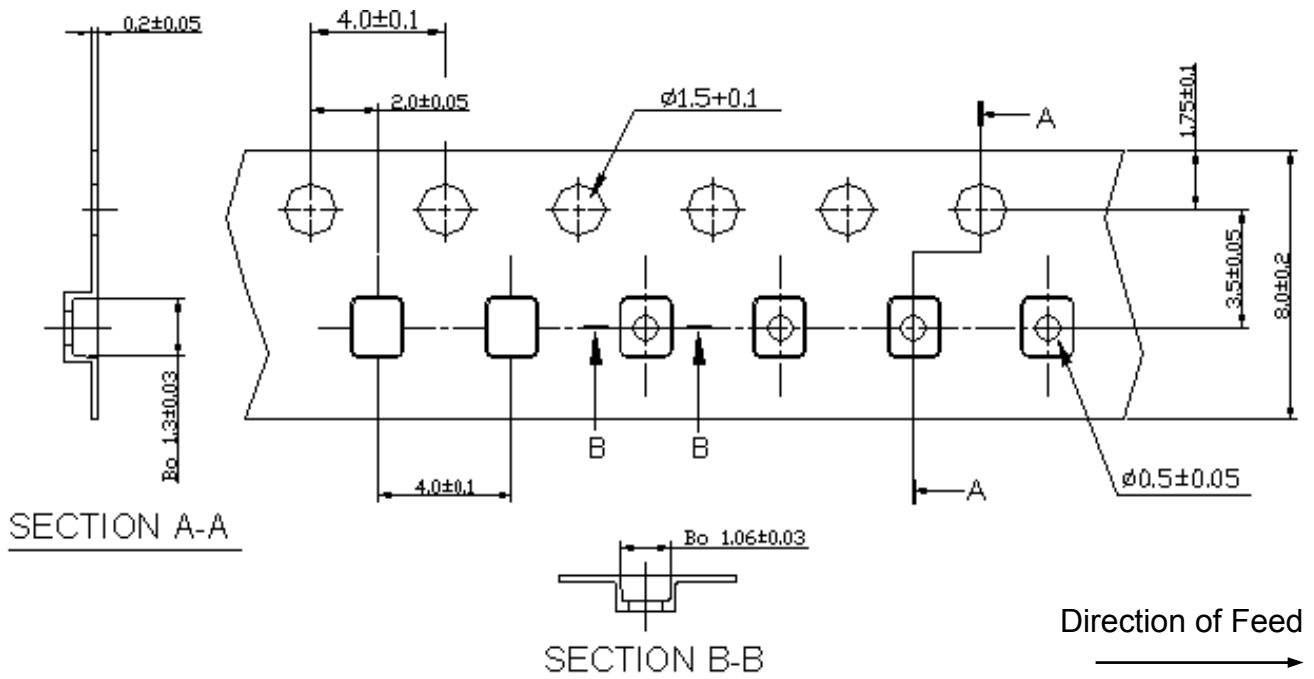
Model: TA1970A
Rev No: 1

G. PACKING:

1. Reel Dimension (Reel Count: 7" = 3000)



2. Tape Dimension



SAW Filter 2602.50MHz
Part No: MP07570

Model: TA1970A
Rev No: 1

H. RECOMMENDED REFLOW PROFILE:

1. Preheating shall be fixed at 150 ~ 180°C for 60 ~ 90 seconds.
2. Ascending time to preheating temperature 150°C shall be 30 seconds min.
3. Heating shall be fixed at 220°C for 50 ~ 80 seconds and at 245 ~ 260°C peak (min. 10 sec).
4. Time: 2 times.

