

SAW Filter 175.0750MHz
Part No: MP07586

Model: TB1210A
Rev No: 1

A. MAXIMUM RATING:

Electrostatic Sensitive Device

1. Operating temperature range: -10°C to 75°C
2. Storage temperature range: -40°C to 85°C
3. Input Power Level: 10dBm
4. Maximum DC Voltage: 10V

B. ELECTRONIC CHARACTERISTICS:

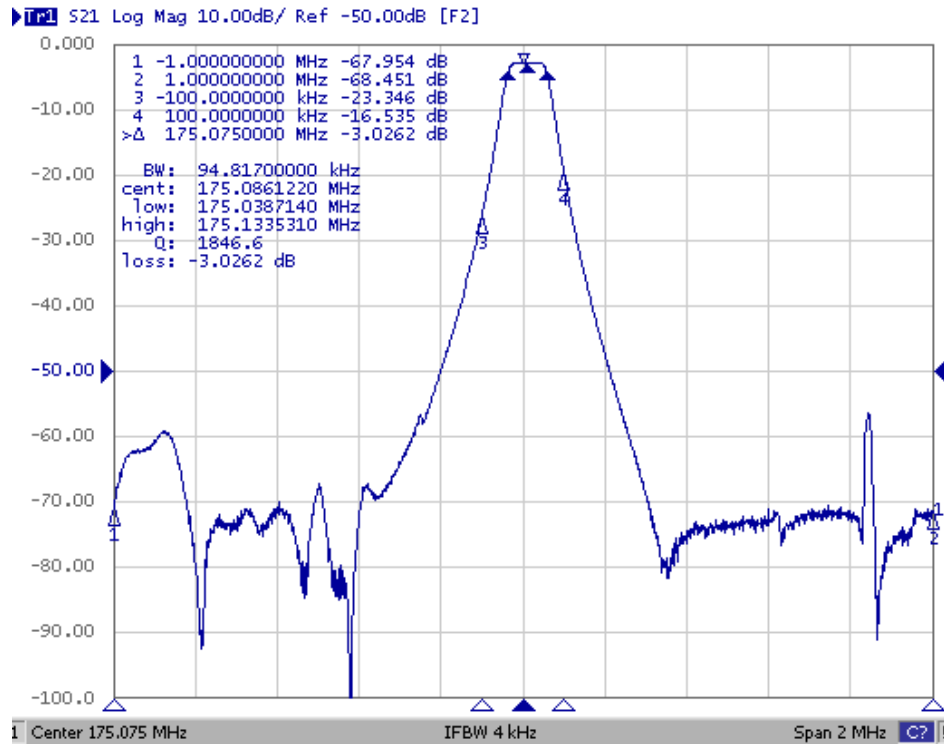
Item	Unit	Min.	Typ.	Max.
Center frequency Fc	MHz	-	175.075	-
Insertion Loss IL at 25°C	dB	-	2.8	4.2
Insertion Loss IL at -10°C to 75°C	dB	-	2.8	4.6
Passband Ripple Fc ± 7.5kHz at -10°C to 75°C	dB	-	0.2	±0.7
Attenuation: (Reference level from Min IL)				
Fc ± 1MHz	dB	55	60	-
Fc ± 100kHz at 25°C	dB	10	18	-
Fc ± 100kHz at -10°C to 75°C	dB	7	18	-
Temperature Coefficient	ppm/°C ²	-	-0.036	-
Source Impedance	Ohm	-	50	-
Load Impedance	Ohm	-	50	-

SAW Filter 175.0750MHz
Part No: MP07586

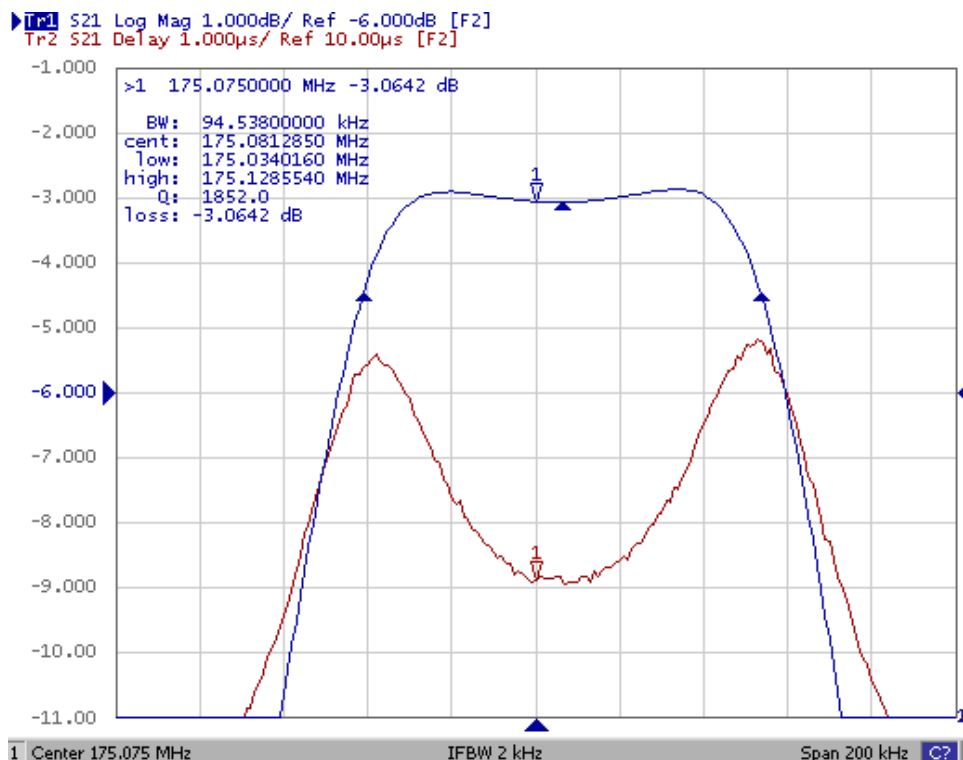
Model: TB1210A
Rev No: 1

C. FREQUENCY CHARACTERISTICS:

1. Wide band Response



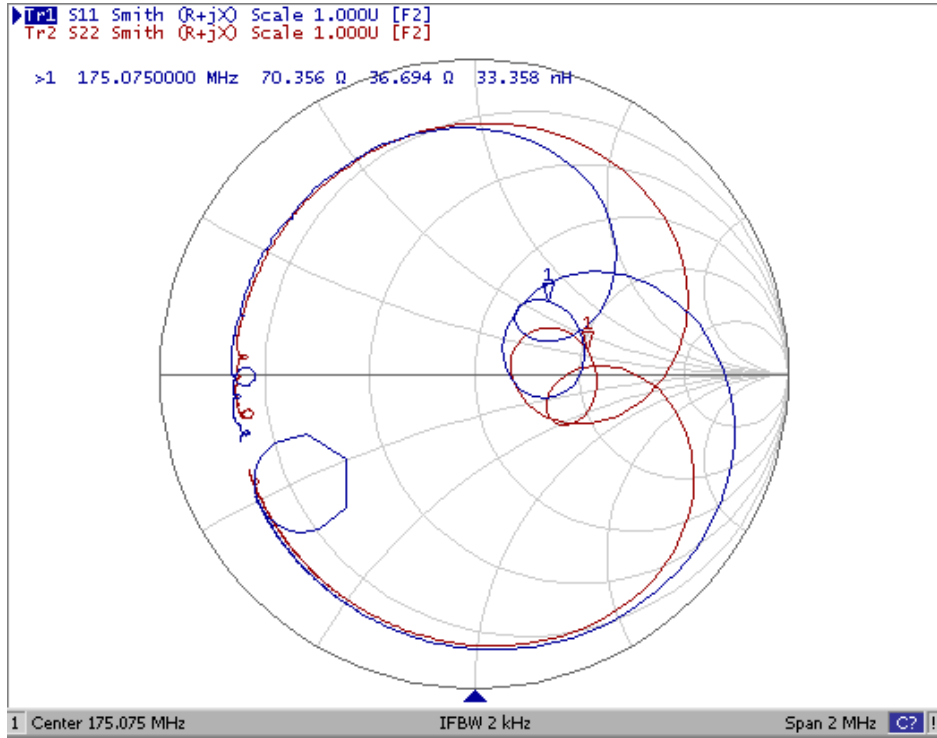
2. Pass Band Response and Group Time Delay Response:



SAW Filter 175.0750MHz
Part No: MP07586

Model: TB1210A
Rev No: 1

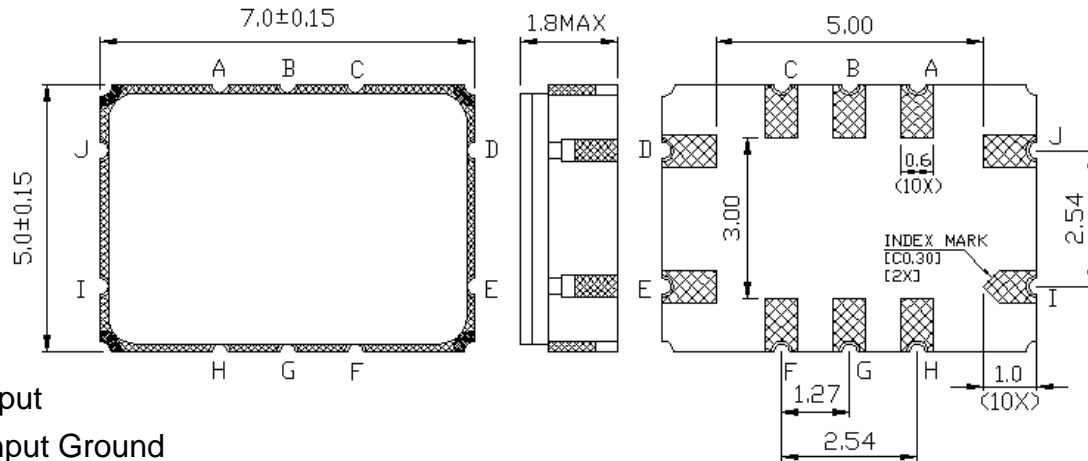
3. Smith Chart:



SAW Filter 175.0750MHz
Part No: MP07586

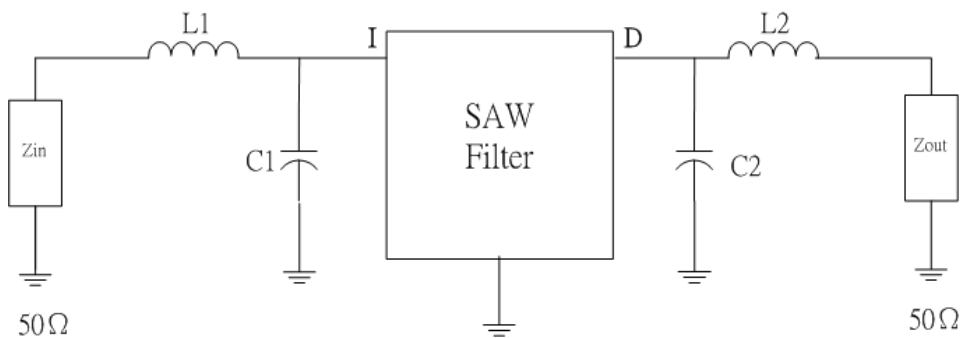
Model: TB1210A
Rev No: 1

D. OUTLINE DRAWING:



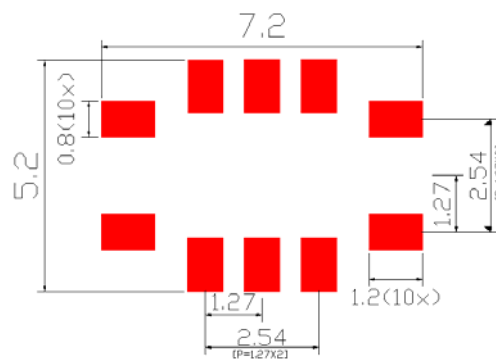
- I: Input
 - J: Input Ground
 - D: Output
 - E: Output Ground
 - A, B, C, F, G, H: Ground
- Unit: mm

E. MATCHING CIRCUIT:



$L_1 = 180\text{nH}, L_2 = 180\text{nH}, C_1 = 1\text{pF}, C_2 = 1\text{pF}$

F. PCB FOOTPRINT:

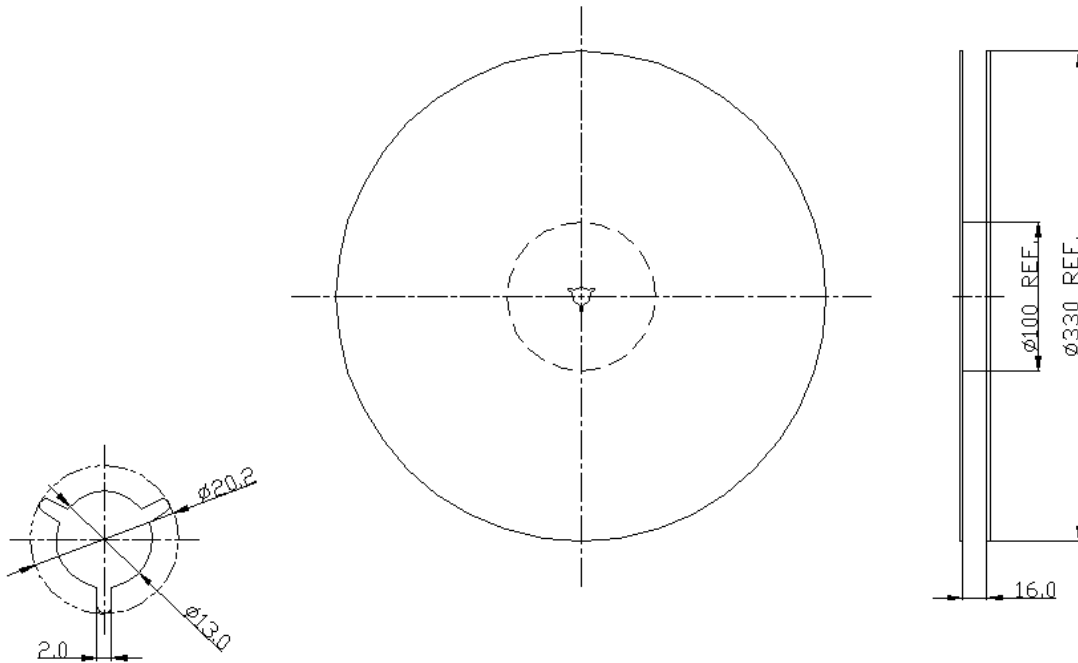


SAW Filter 175.0750MHz
Part No: MP07586

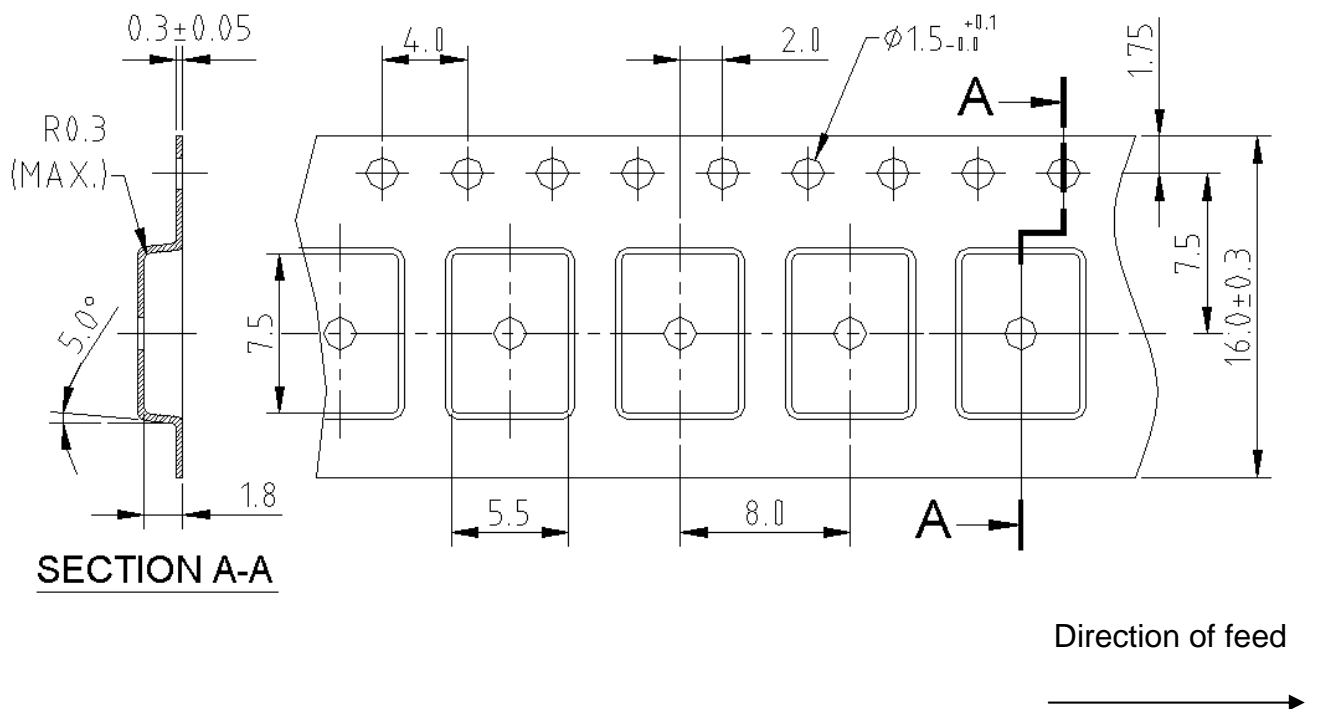
Model: TB1210A
Rev No: 1

G. PACKING:

1. Reel Dimension (Please refer to FR-75D10 for packing quantity)



2. Tape Dimension



SAW Filter 175.0750MHz
Part No: MP07586

Model: TB1210A
Rev No: 1

H. RECOMMENDED REFLOW PROFILE:

1. Preheating shall be fixed at 150 ~ 180°C for 60 ~ 90 seconds.
2. Ascending time to preheating temperature 150°C shall be 30 seconds min.
3. Heating shall be fixed at 220°C for 50 ~ 80 seconds and at 260°C +0/-5°C peak (20 ~ 40 sec).
4. Time: 2 times.

