

SAW Filter 310.0MHz

Model: TB1215A

Part No: MP07588

Rev No: 1

A. MAXIMUM RATING:

Electrostatic Sensitive Device

1. Operating temperature range: -10°C to 80°C
2. Storage temperature range: -40°C to 85°C
3. Input Power Level: 10dBm
4. Maximum DC Voltage: 10V

B. CHARACTERISTICS:

Ambient Temperature: 25°C

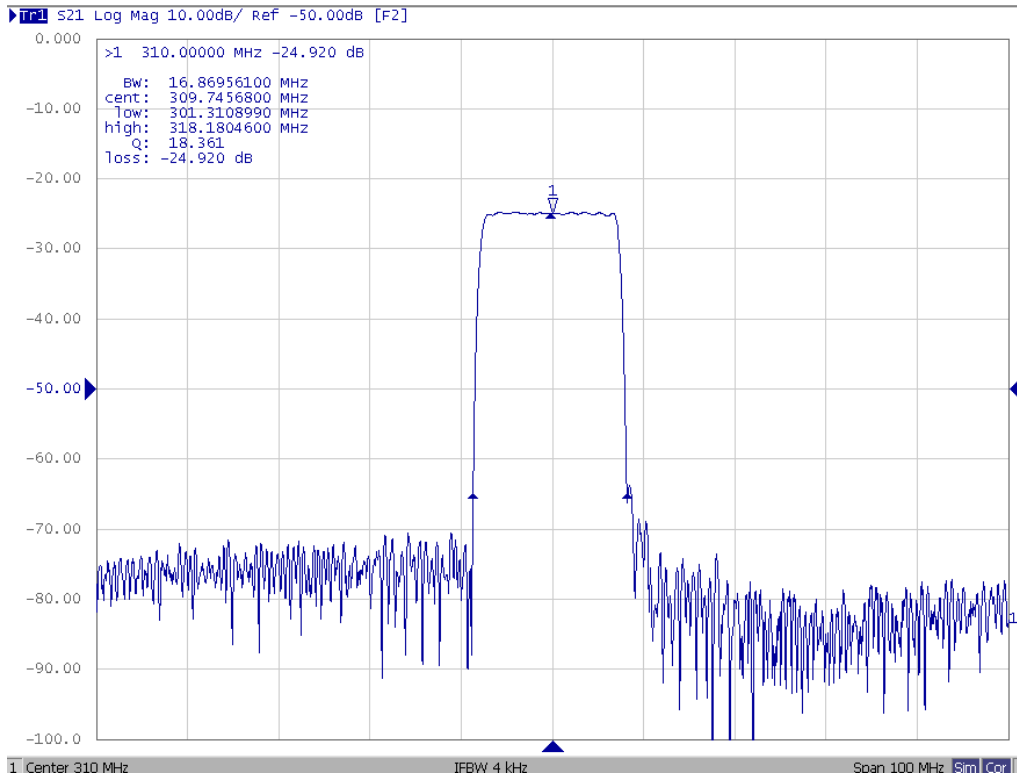
Item	Unit	Min.	Typ.	Max.
Center frequency Fc	MHz	-	310	-
Insertion Loss IL	dB	-	24.5	27.0
-1dB bandwidth	MHz	14.20	14.45	-
-5dB bandwidth	MHz	-	15.23	15.30
-40dB bandwidth	MHz	-	16.87	17.00
Passband Ripple Fc ± 6.92MHz	dB	-	0.8	1.5
Group Delay variation Fc ± 6.92MHz	ns		60	-
Absolute Group Delay	us	-	1.36	-
Attenuation: (Reference level from Min IL)				
Ultimate Attenuation	dB	40	45	-
Temperature Coefficient	ppm/°C	-	-23	-
Source Impedance	Ohm	-	50	-
Load Impedance	Ohm	-	50	-

SAW Filter 310.0MHz
Part No: MP07588

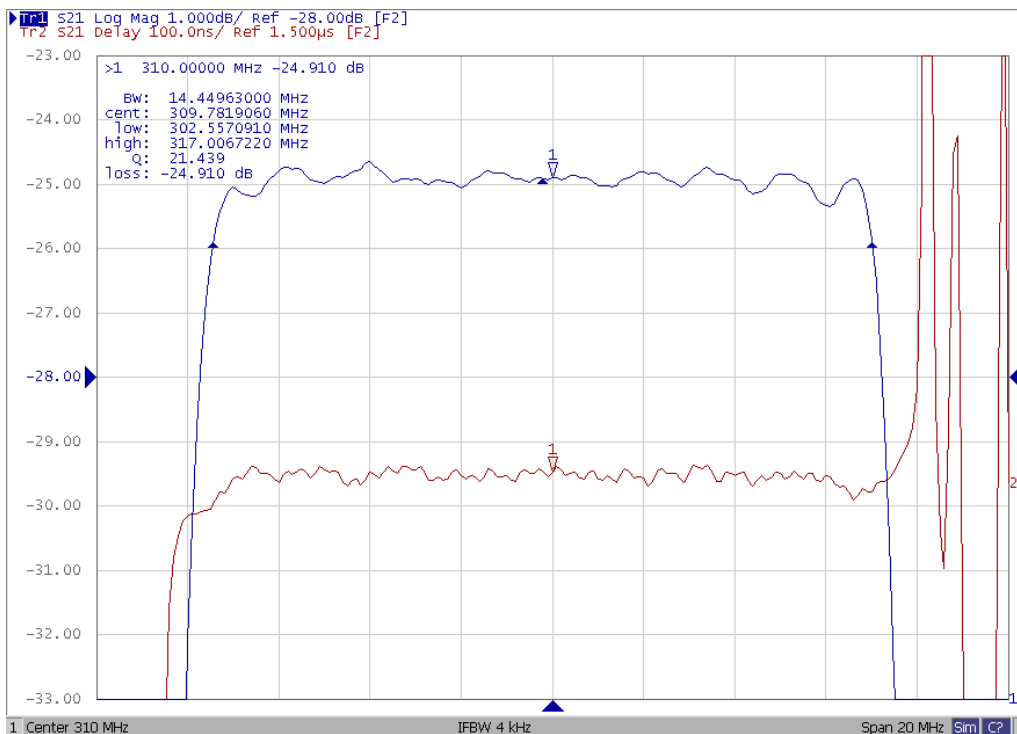
Model: TB1215A
Rev No: 1

C. FREQUENCY CHARACTERISTICS:

1. Wide Band Response:



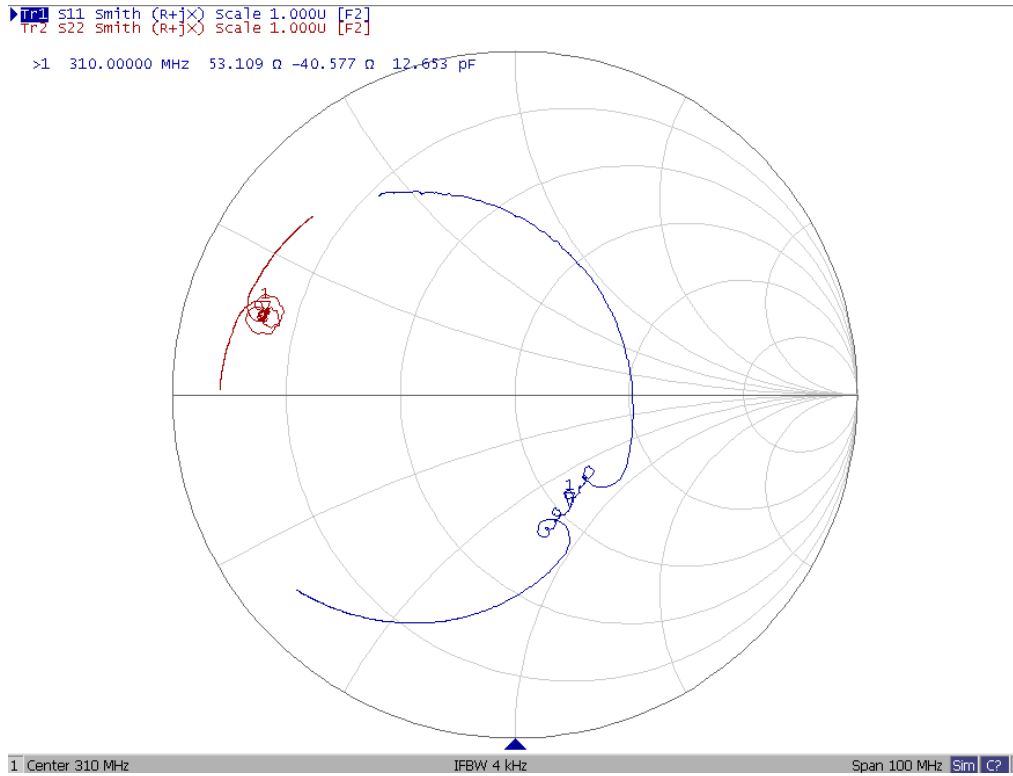
2. Pass Band Response and Group Delay Response:



SAW Filter 310.0MHz
Part No: MP07588

Model: TB1215A
Rev No: 1

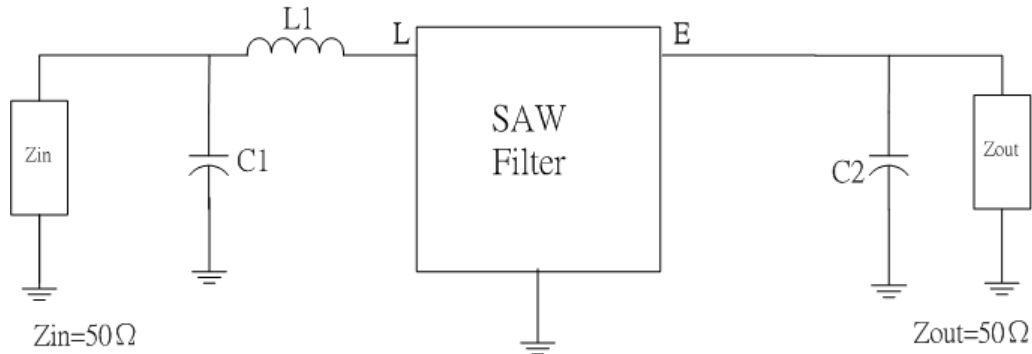
3. Smith Chart:



SAW Filter 310.0MHz
Part No: MP07588

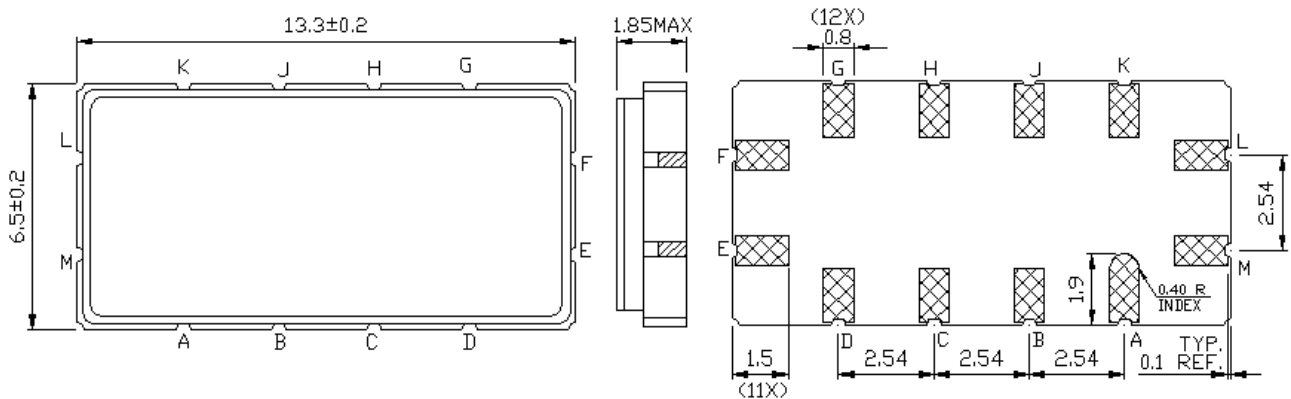
Model: TB1215A
Rev No: 1

D. MATCHING CIRCUIT:



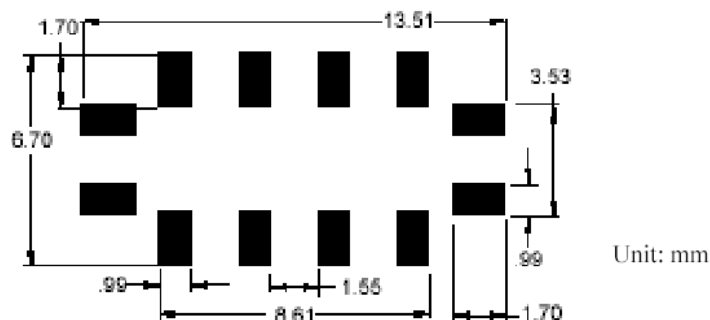
$L1 = 5.6\text{nH}$, $C1 = 27\text{pF}$, $C2 = 15\text{pF}$

E. OUTLINE DRAWING:



- L: Input
 - M: Input Ground
 - E: Output
 - F: Output Ground
 - A, B, C, D, G, H, J, K: Ground
- Unit: mm

F. PCB FOOTPRINT:



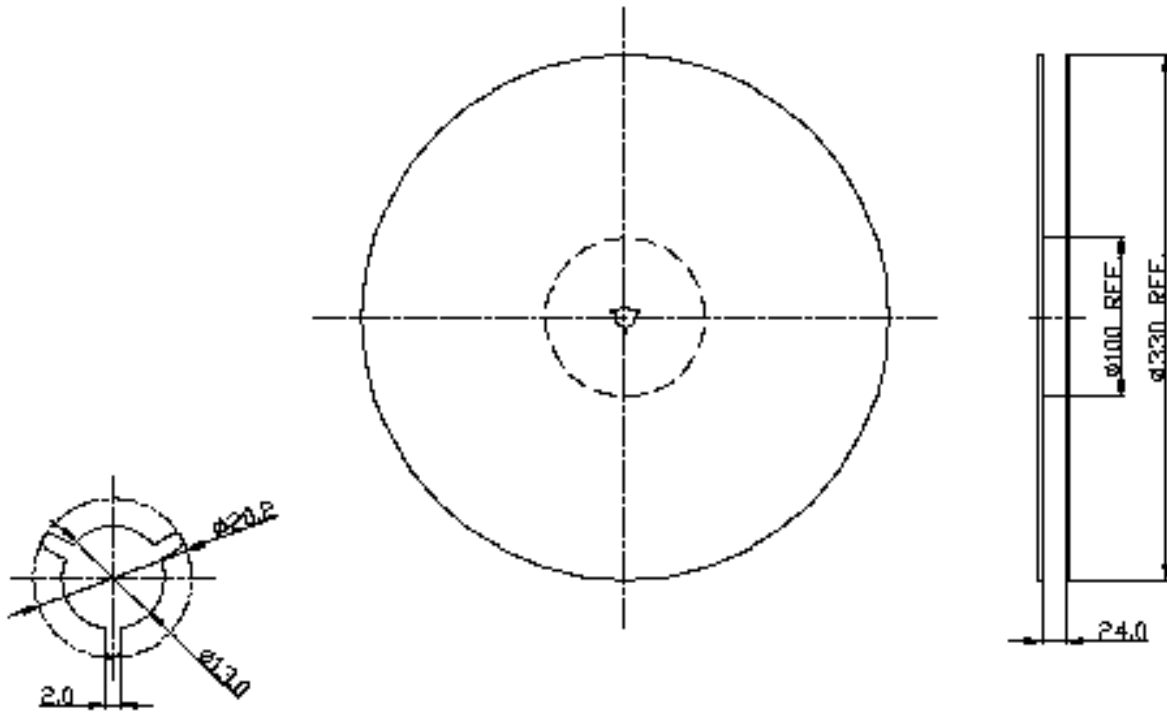
Unit: mm

SAW Filter 310.0MHz
Part No: MP07588

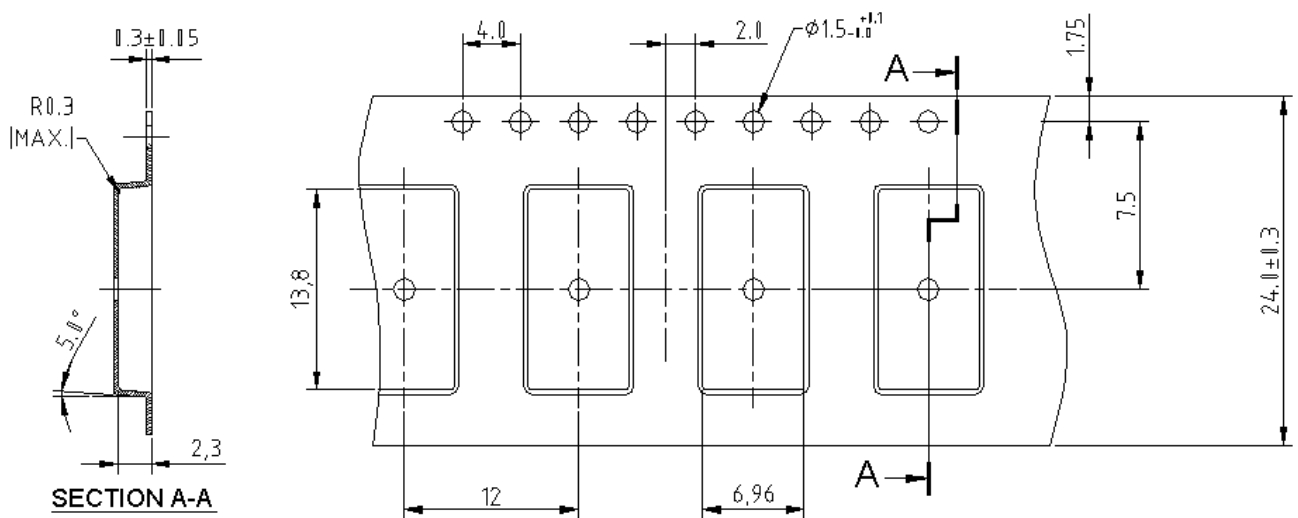
Model: TB1215A
Rev No: 1

G. PACKING:

1. Reel Dimension (Please refer to FR-75D10 for packing quantity)



2. Tape Dimension



SAW Filter 310.0MHz
Part No: MP07588

Model: TB1215A
Rev No: 1

H. RECOMMENDED REFLOW PROFILE:

1. Preheating shall be fixed at 150 ~ 180°C for 60 ~ 90 seconds.
2. Ascending time to preheating temperature 150°C shall be 30 seconds min.
3. Heating shall be fixed at 220°C for 50 ~ 80 seconds and at 260°C +0/-5°C peak (20 ~ 40 sec).
4. Time: 2 times.

