

SAW Filter 1820.0MHz
Part No: MP07600

Model: TA1905A
Rev No: 1

A. MAXIMUM RATING:

Electrostatic Sensitive Device (ESD)

1. Input Power Level: 15dBm
2. DC voltage: 5V
3. Operating Temperature: -40°C to +85°C
4. Storage Temperature: -55°C to +95°C
5. ESD Voltage: 50V (Machine model)
6. ESD Voltage: 250V (Human body model)

B. ELECTRICAL CHARACTERISTICS:

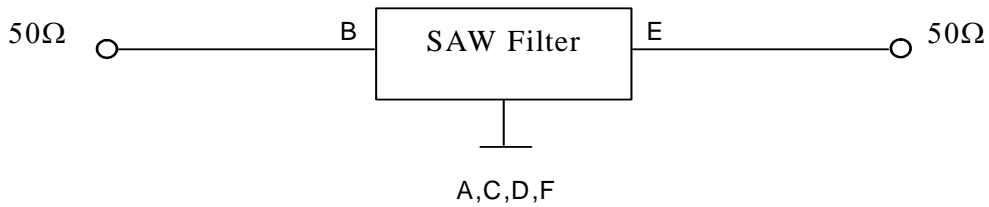
Item	Unit	Min.	Typ.	Max.
Center frequency Fc	MHz	-	1820	-
Insertion Loss (1790 ~ 1850MHz) IL	dB	-	3	4
Amplitude Ripple (1790 ~ 1850MHz)	dB	-	1.8	2.5
Return Loss (1790 ~ 1850MHz)	dB	7	7.8	-
Attenuation (Reference level from 0dB)				
10 ~ 1730MHz	dB	27	31	-
1910 ~ 3000MHz	dB	30	37	-
Temperature coefficient of frequency	ppm/k	-	-36	-

SAW Filter 1820.0MHz
Part No: MP07600

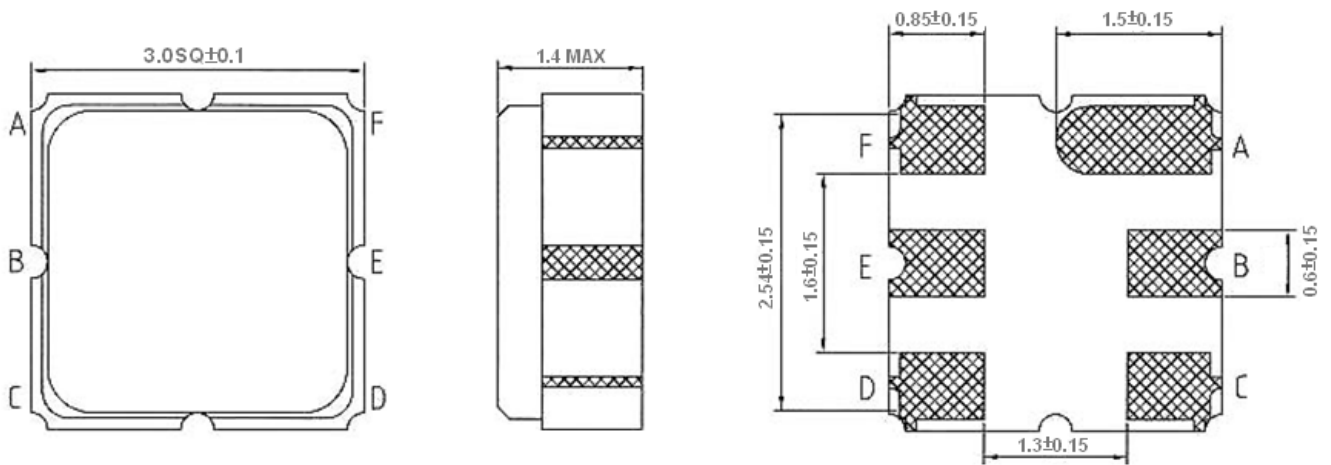
Model: TA1905A
Rev No: 1

C. MEASUREMENT CIRCUIT:

HP Network analyzer

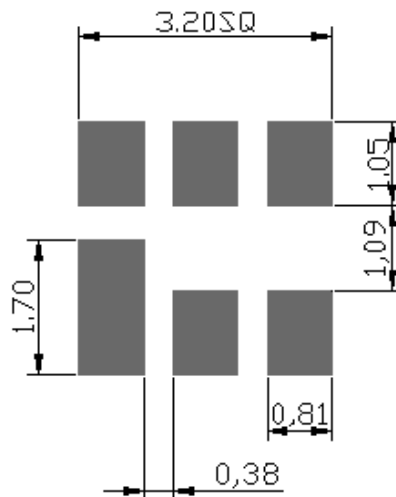


D. OUTLINE DRAWING:



B: Input
 E: Output
 A, C, D, F: Ground
 Unit: mm

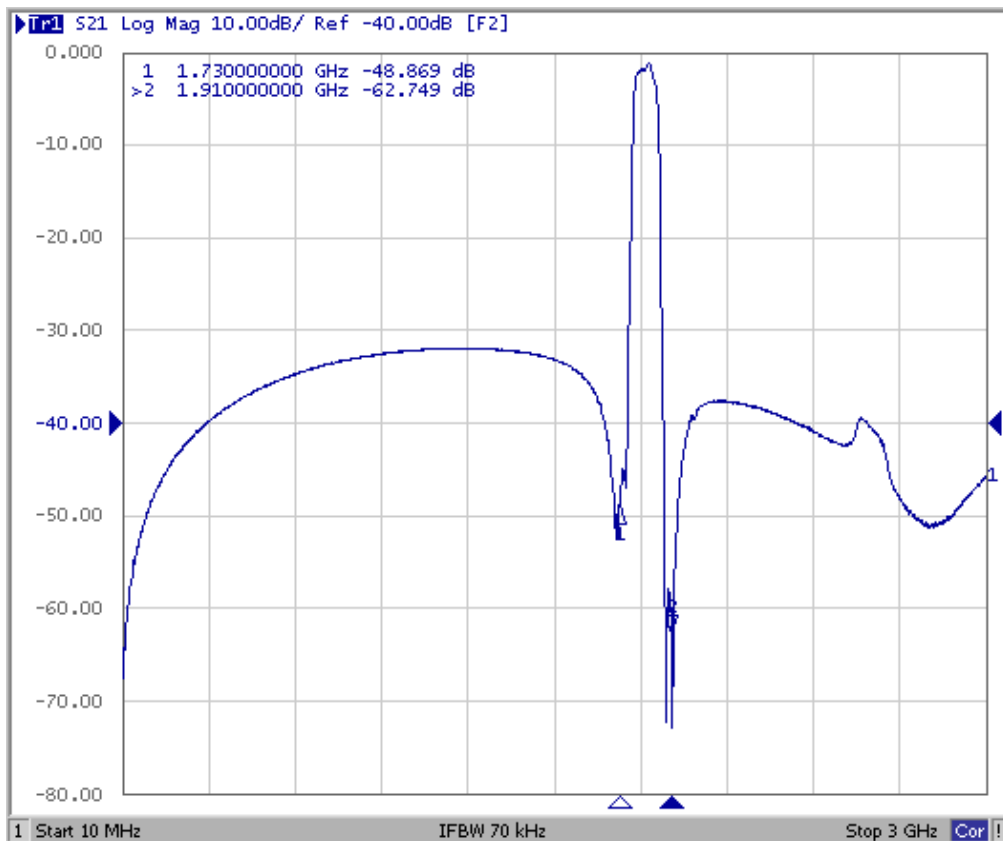
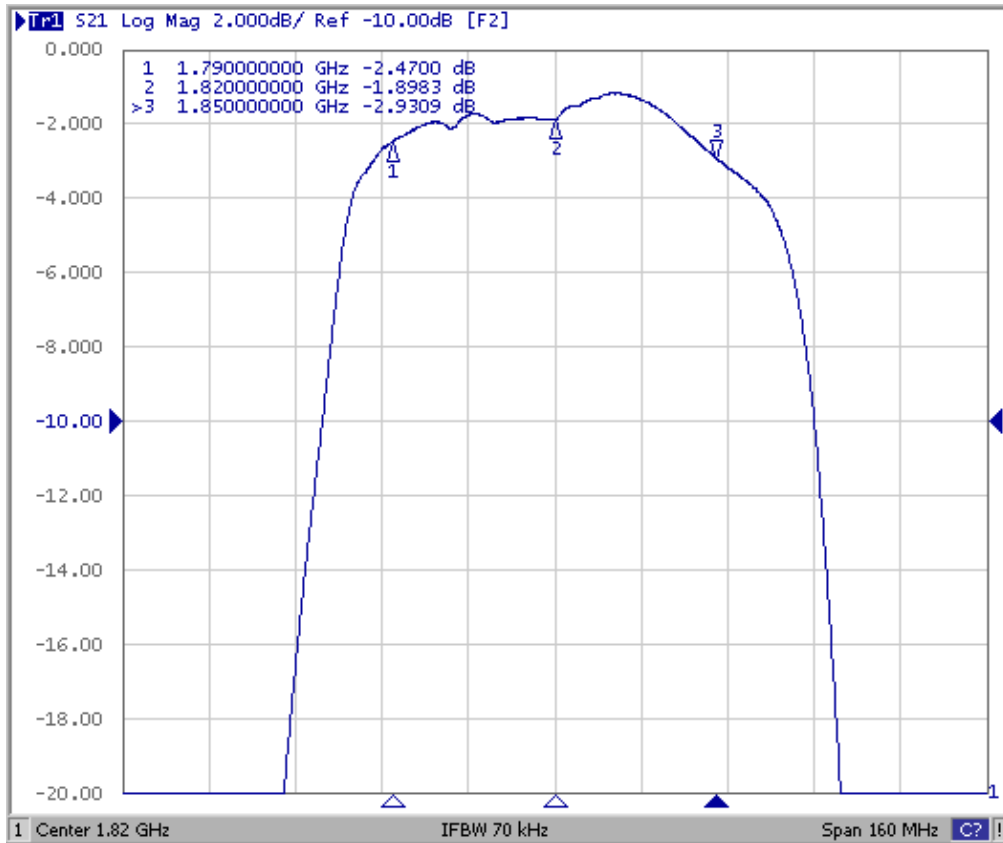
E. PCB FOOTPRINT:



SAW Filter 1820.0MHz
Part No: MP07600

Model: TA1905A
Rev No: 1

F. FREQUENCY CHARACTERISTICS:

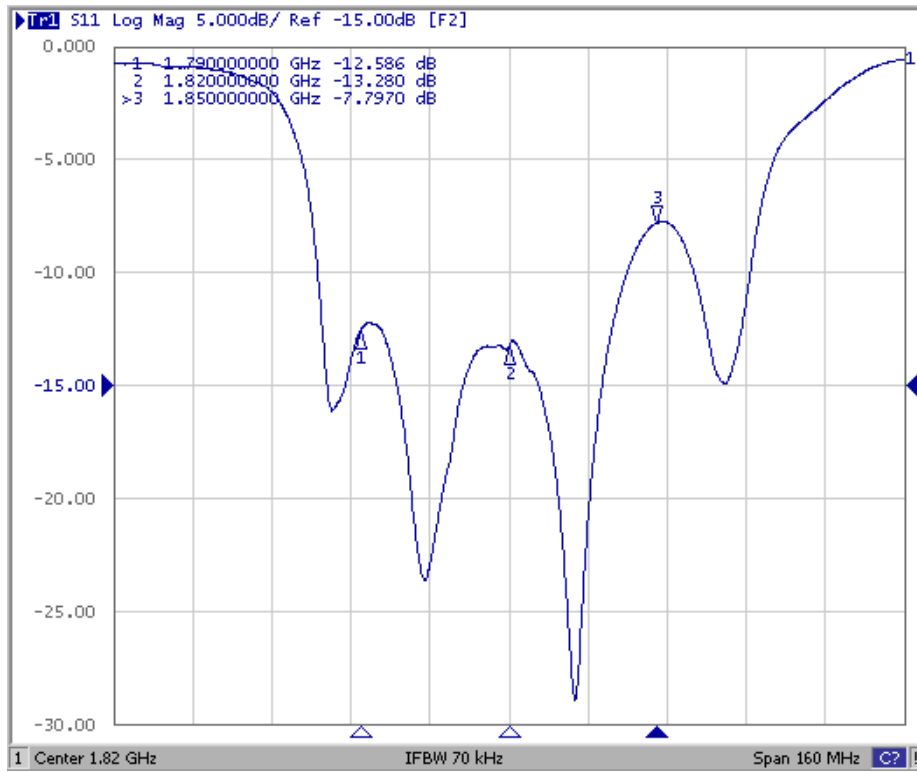


SAW Filter 1820.0MHz
Part No: MP07600

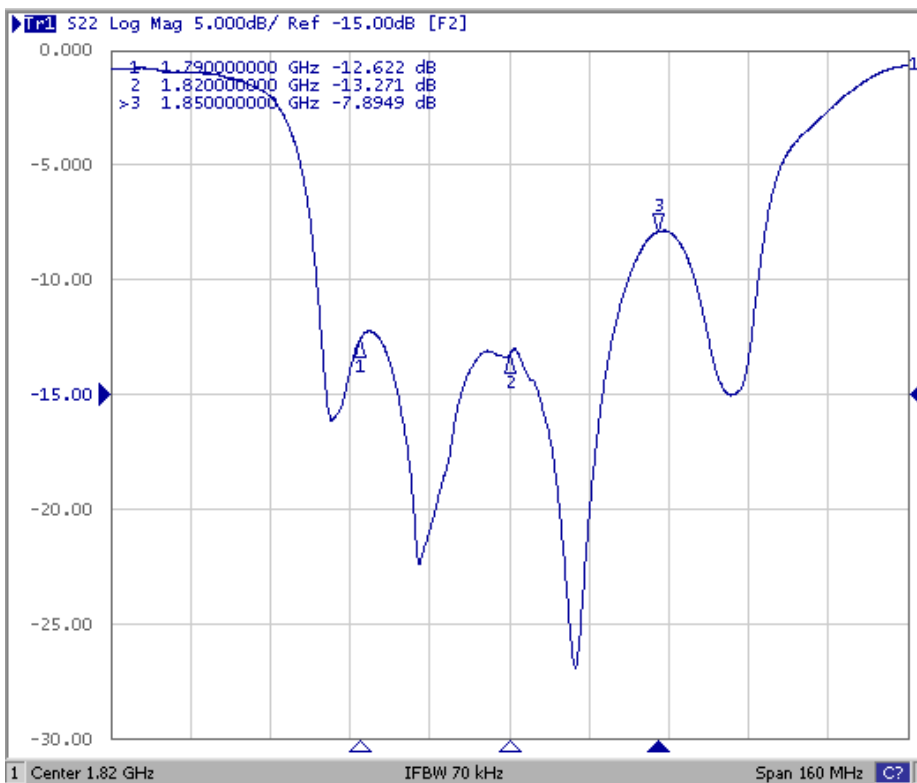
Model: TA1905A
Rev No: 1

Reflection Functions

S11



S22

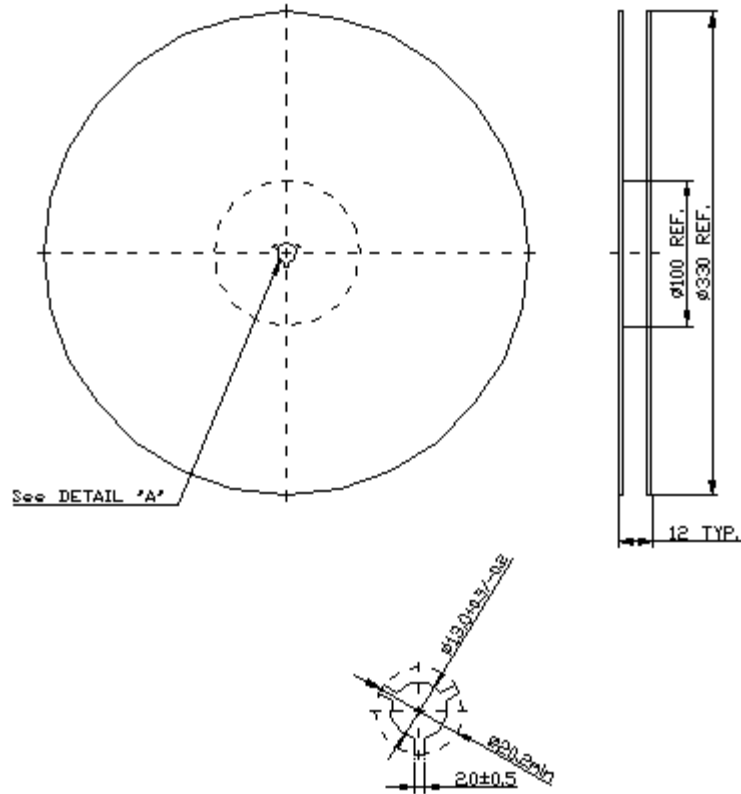


SAW Filter 1820.0MHz
Part No: MP07600

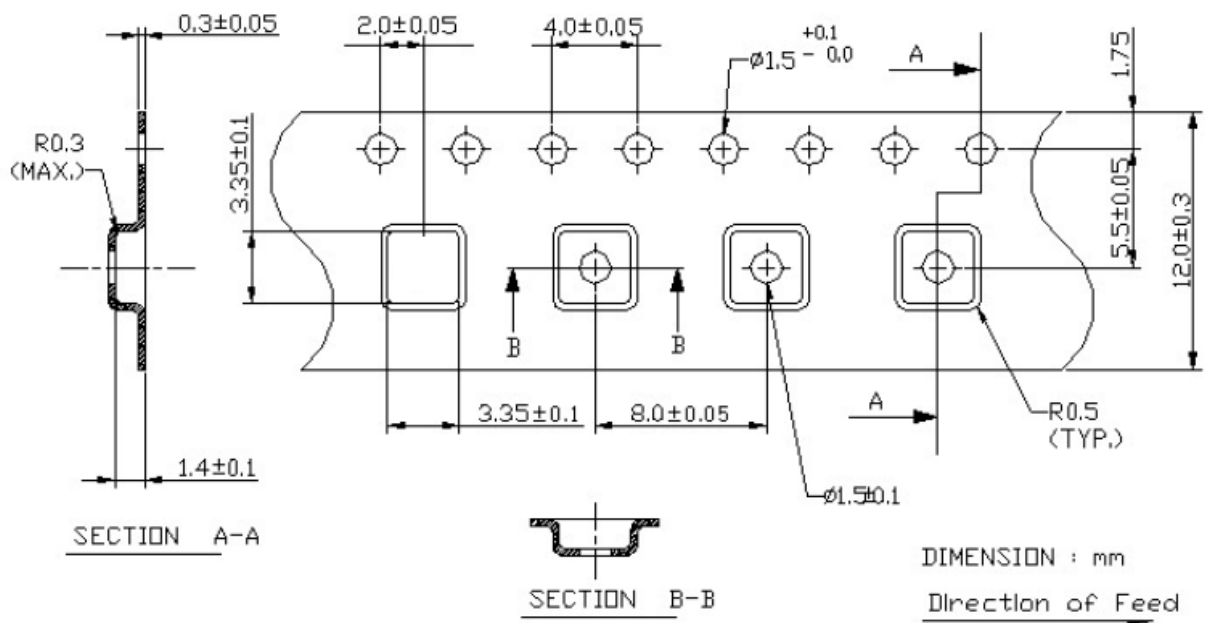
Model: TA1905A
Rev No: 1

G. PACKING:

1. Reel Dimension (Please refer to FR-75D10 for packing quantity)



2. Tape Dimension



SAW Filter 1820.0MHz
Part No: MP07600

Model: TA1905A
Rev No: 1

H. RECOMMENDED REFLOW PROFILE:

1. Preheating shall be fixed at 150 ~ 180°C for 60 ~ 90 seconds.
2. Ascending time to preheating temperature 150°C shall be 30 seconds min.
3. Heating shall be fixed at 220°C for 50 ~ 80 seconds and at 260°C +0/-5°C peak (20 ~ 40 sec).
4. Time: 2 times.

