

**SAW Filter 2140.0MHz**  
**Part No: MP07826**

**Model: TA1699A**  
**Rev No: 1**

**A. MAXIMUM RATING:**

1. Maximum Input Power: 15dBm
2. DC voltage: 0V
3. Operating Temperature: -30°C to +85°C
4. Storage Temperature: -40°C to +85°C

**B. ELECTRICAL CHARACTERISTICS:**

Parameters Description (Band 1)	Unit	Minimum	Typical	Maximum
Center Frequency (Fo)	MHz	-	2140	-
Insertion Loss within 2110.0 ~ 2170.0 MHz	dB	-	1.7	2.2
Amplitude Ripple within 2110.0 ~ 2170.0 MHz	dB <sub>p-p</sub>	-	0.6	1.5
VSWR within 2110.0 ~ 2170.0 MHz	-	-	1.9	2.2
Amplitude balance within 2110.0 ~ 2170.0 MHz	dB	-1.5	-0.3 ~ +0.8	+1.5
Phase balance within 2110.0 ~ 2170.0 MHz	deg	-10	-3 ~ +6	+10

Parameters Description (Band 4)	Unit	Minimum	Typical	Maximum
Center Frequency (Fo)	MHz	-	2132	-
Insertion Loss within 2110.0 ~ 2155.0 MHz	dB	-	1.7	2.2
Amplitude Ripple within 2110.0 ~ 2155.0 MHz	dB <sub>p-p</sub>	-	0.6	1.5
VSWR within 2110.0 ~ 2155.0 MHz	-	-	1.9	2.2
Amplitude balance within 2110.0 ~ 2155.0 MHz	dB	-1.5	-0.3 ~ +0.8	+1.5
Phase balance within 2110.0 ~ 2155.0 MHz	deg	-10	-3 ~ +6	+10

Note: No Matching Network.

**SAW Filter 2140.0MHz**

**Model: TA1699A**

**Part No: MP07826**

**Rev No: 1**

Parameters Description	Unit	Minimum	Typical	Maximum
<b>Attenuation:</b>				
10.0 ~ 1920.0 MHz	dB	40	48	-
824.0 ~ 849.0 MHz	dB	50	61	-
1710.0 ~ 1755.0 MHz	dB	45	54	-
1920.0 ~ 1980.0 MHz	dB	50	55	-
2300.0 ~ 2500.0 MHz	dB	25	35	-
4220.0 ~ 4340.0 MHz	dB	35	50	-

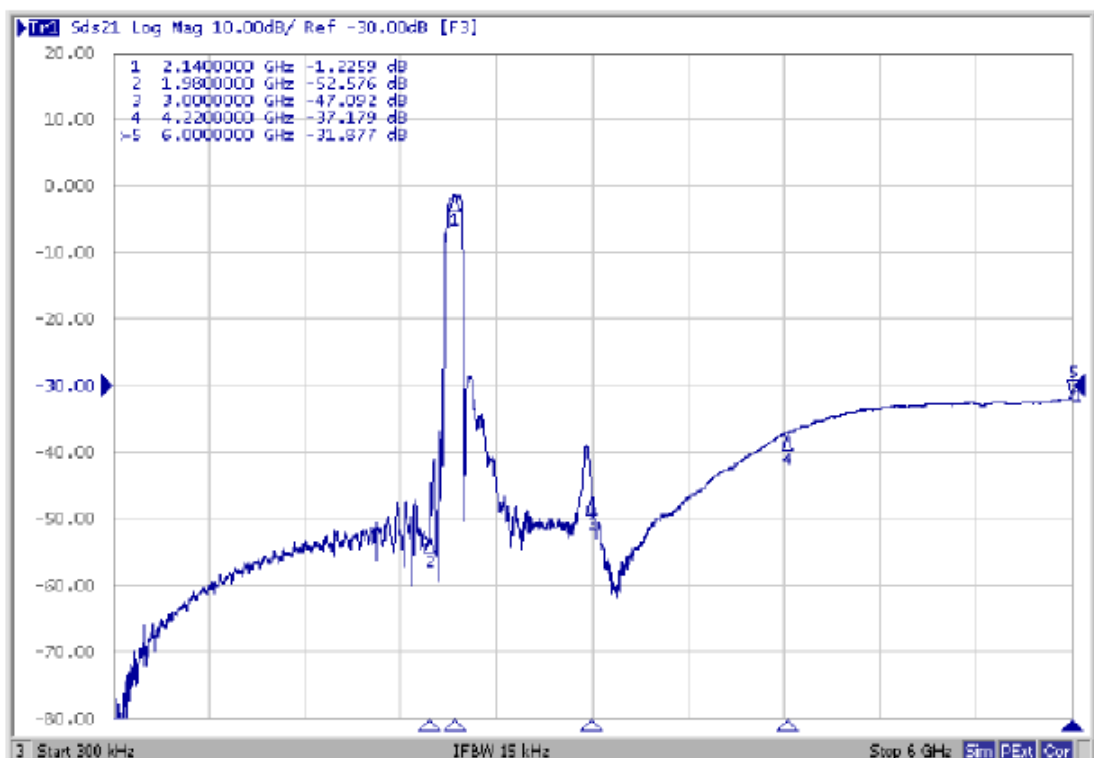
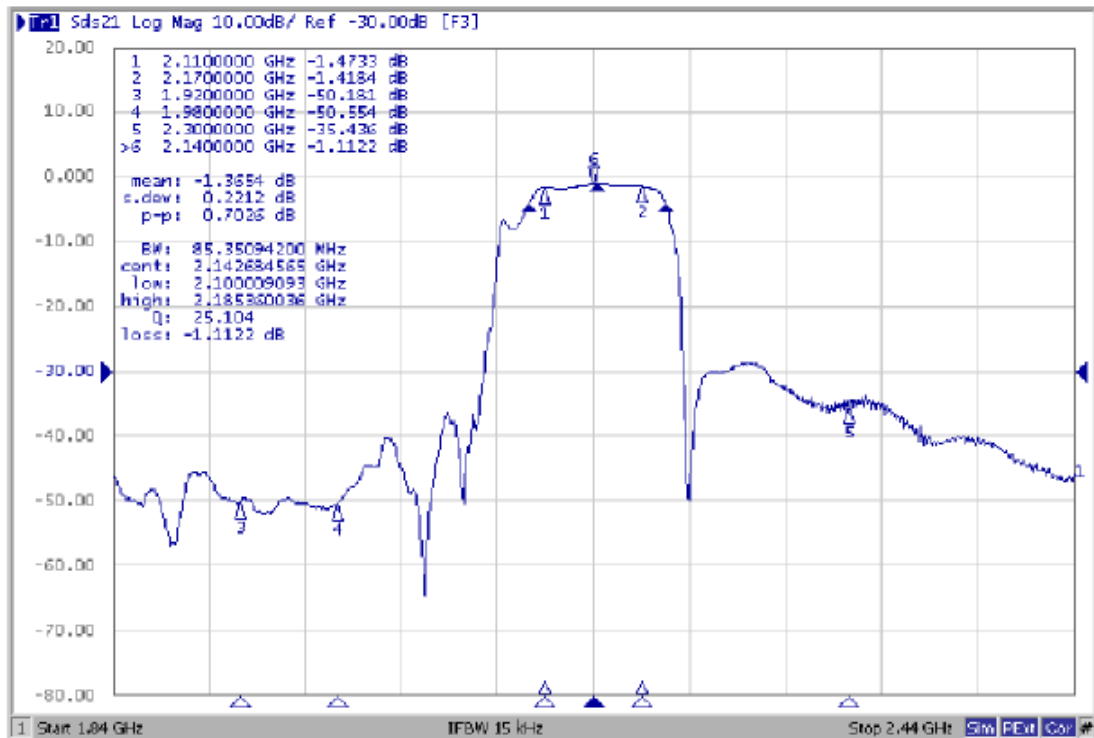
Note: No Matching Network.

**SAW Filter 2140.0MHz**  
**Part No: MP07826**

**Model: TA1699A**  
**Rev No: 1**

**C. FREQUENCY CHARACTERISTICS:**

1. Frequency Response



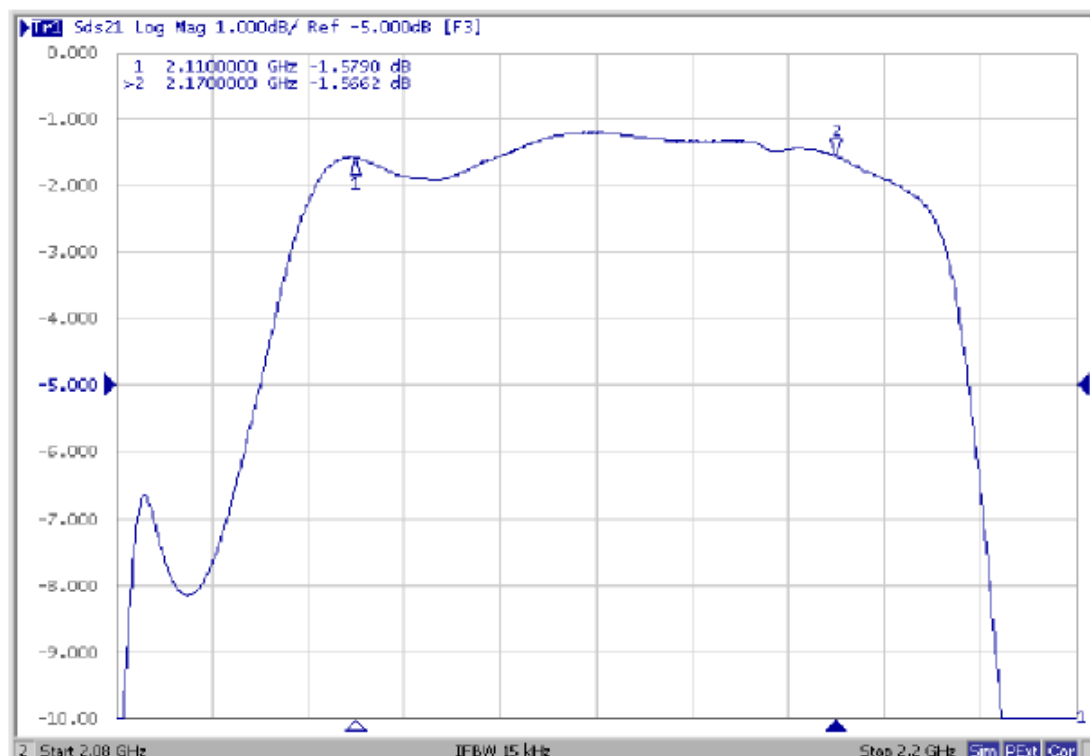
**SAW Filter 2140.0MHz**  
**Part No: MP07826**

**Model: TA1699A**  
**Rev No: 1**

### 2. VSWR



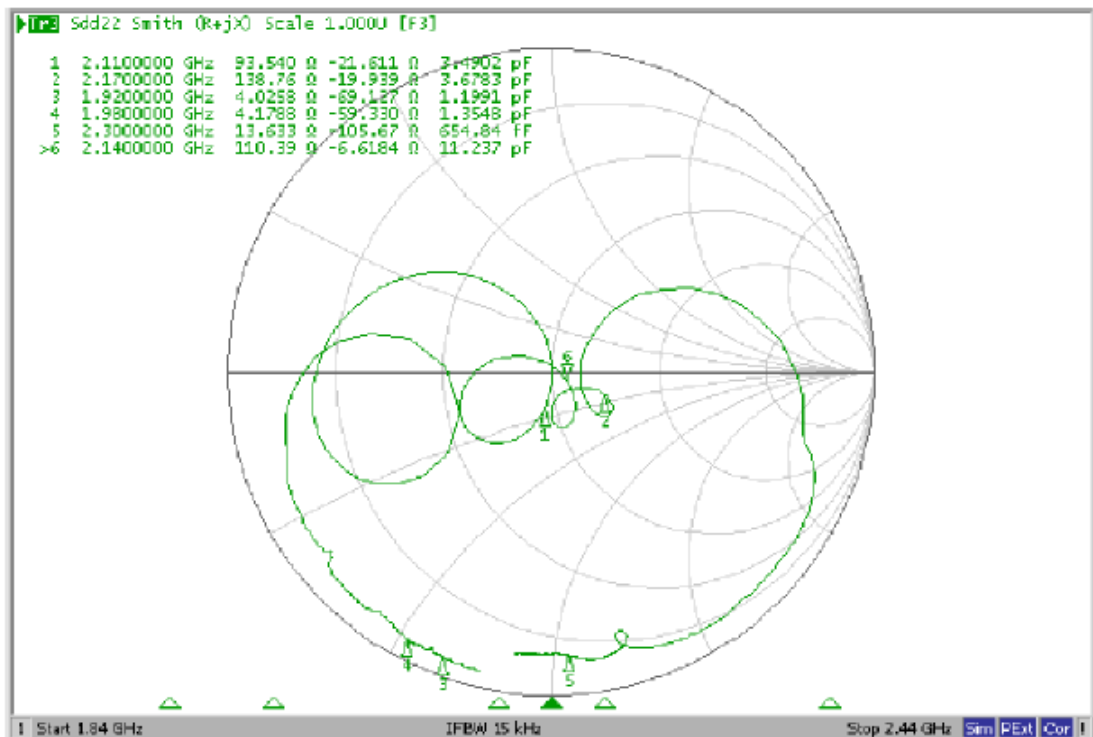
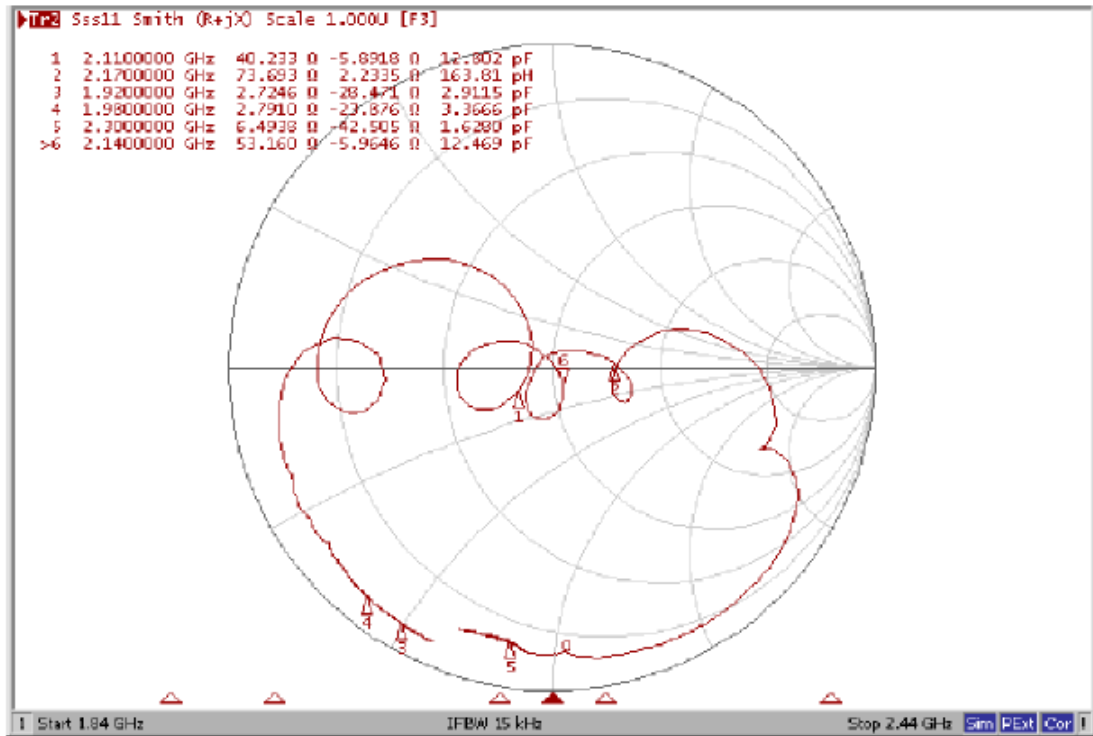
### 3. Ripple



**SAW Filter 2140.0MHz**  
**Part No: MP07826**

**Model: TA1699A**  
**Rev No: 1**

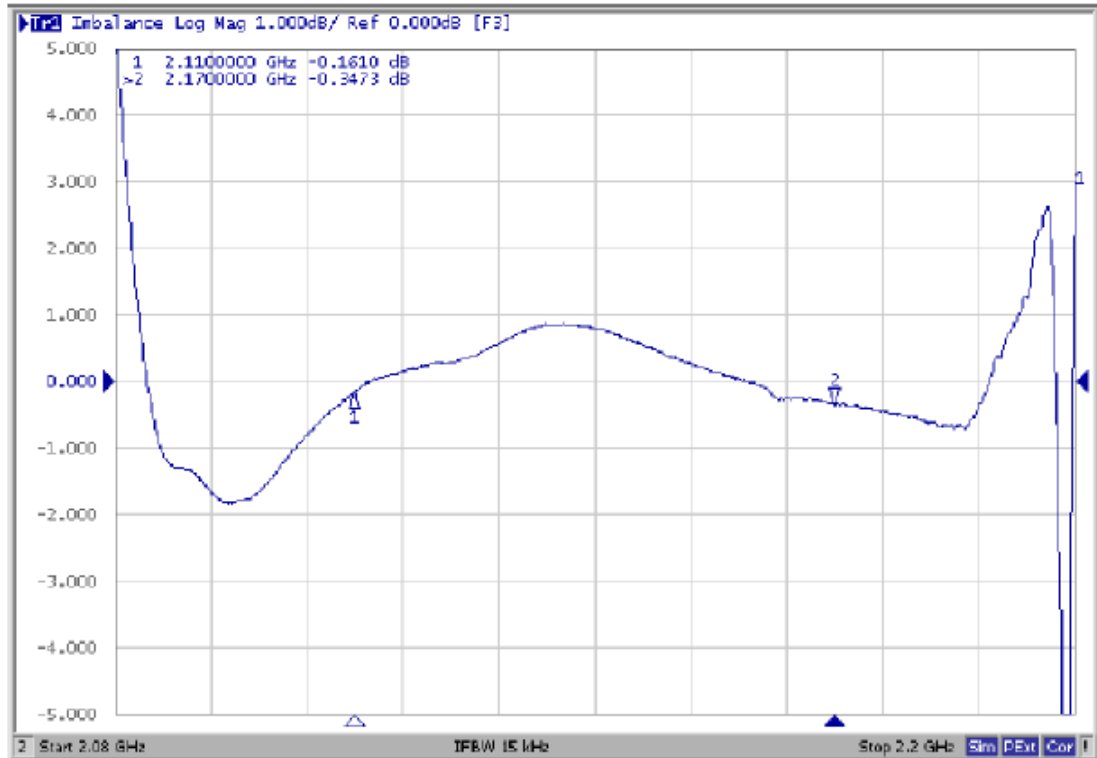
4. Smith Chart



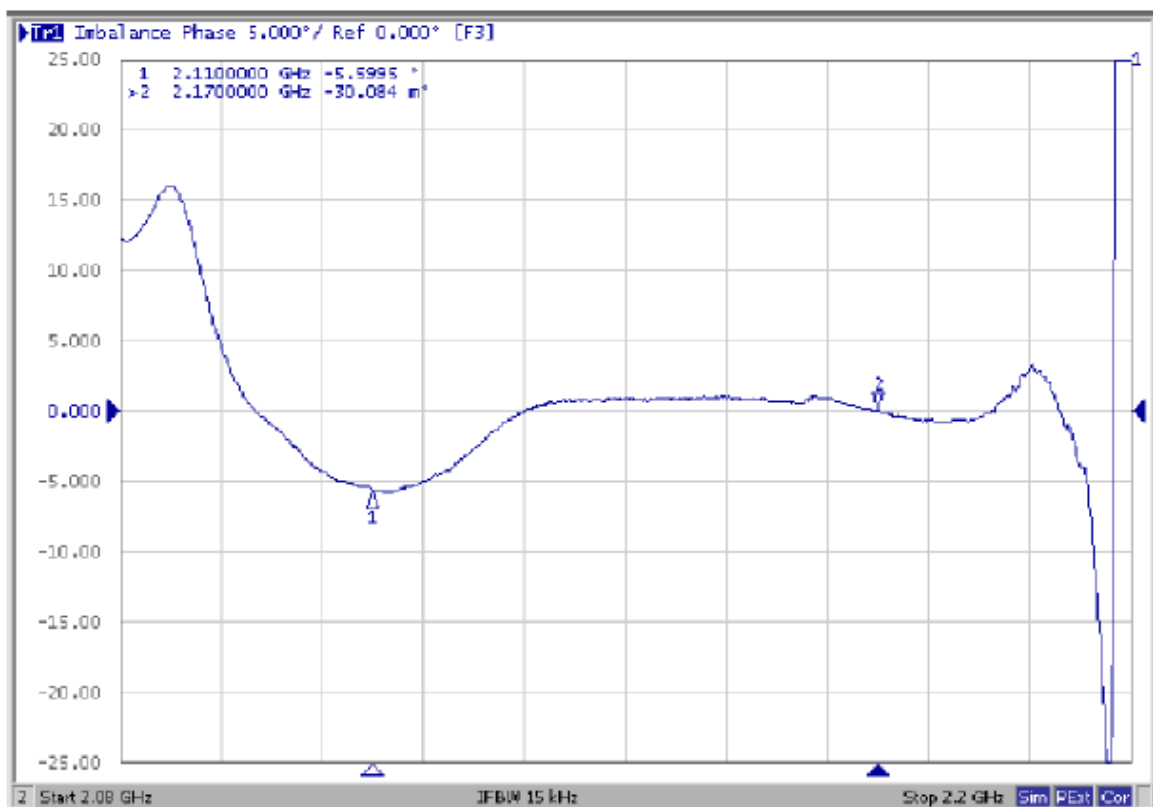
**SAW Filter 2140.0MHz**  
**Part No: MP07826**

**Model: TA1699A**  
**Rev No: 1**

### 5. Amplitude balance



### 6. Phase balance



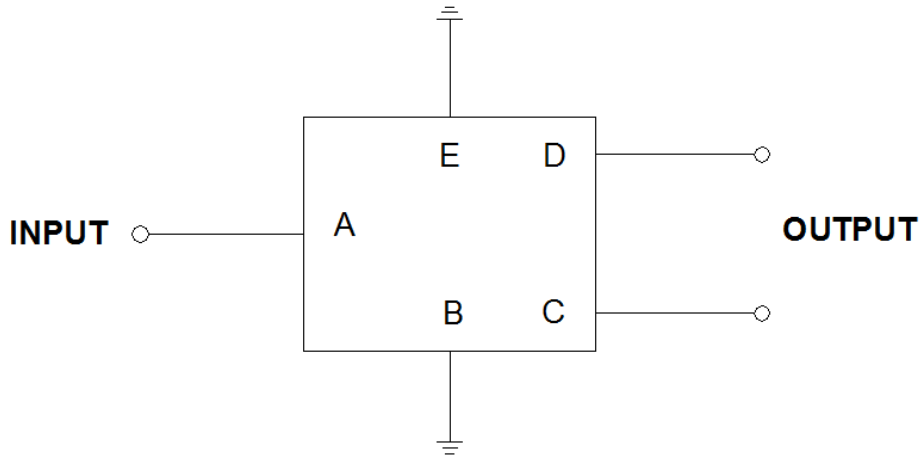
**SAW Filter 2140.0MHz**

**Model: TA1699A**

**Part No: MP07826**

**Rev No: 1**

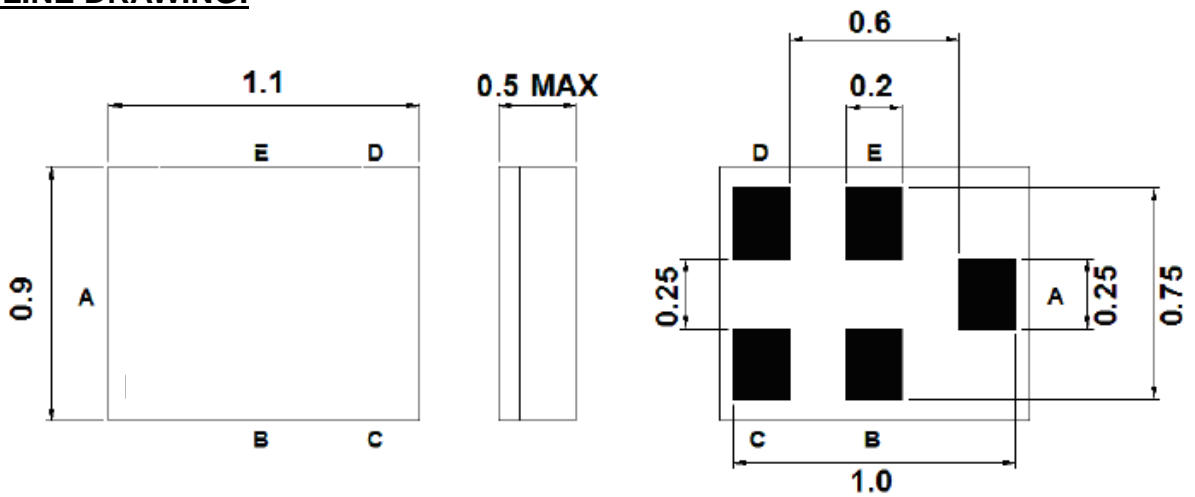
**D. MEASUREMENT CIRCUIT:**



Source Impedance: 50Ω

Load Impedance: 100Ω

**E. OUTLINE DRAWING:**



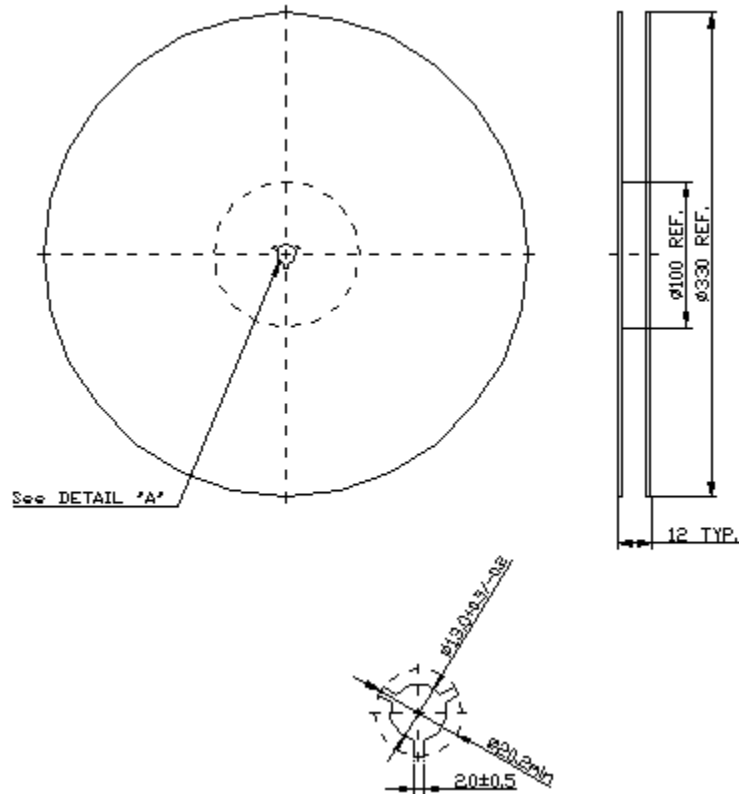
Pin Description	
B, E	Ground
A	Input
C, D	Balanced Output

**SAW Filter 2140.0MHz**  
**Part No: MP07826**

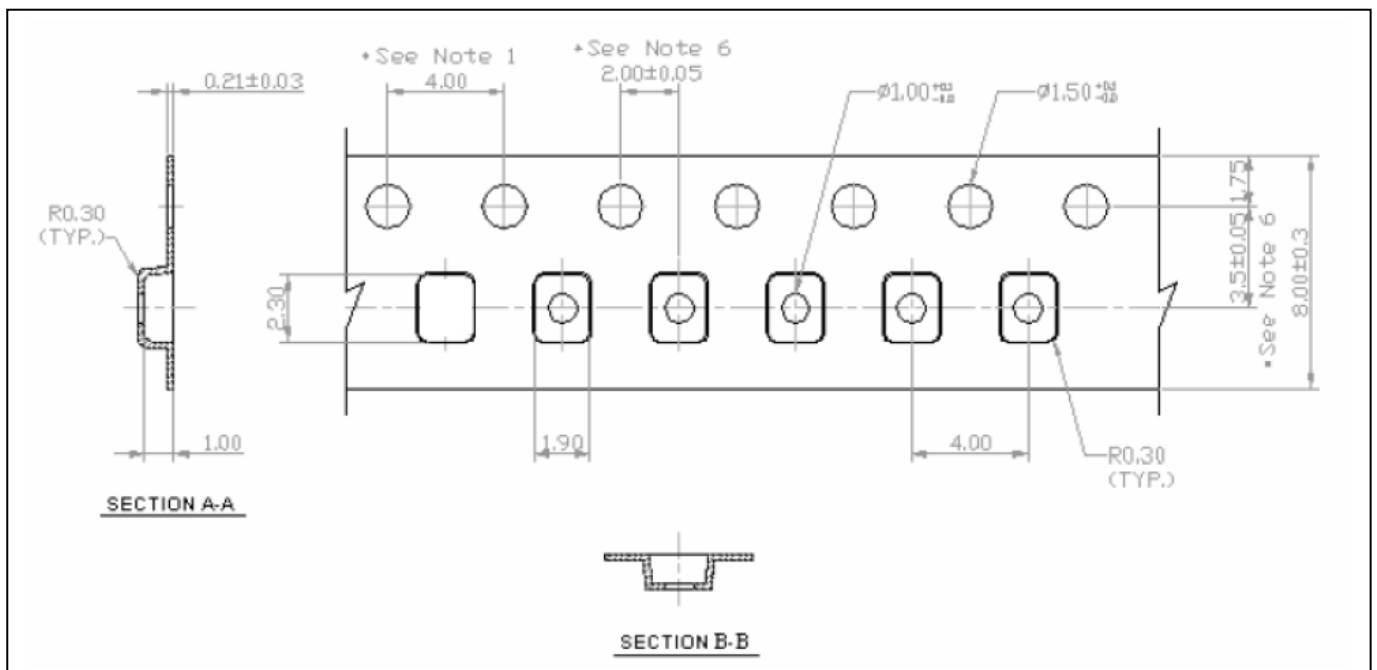
**Model: TA1699A**  
**Rev No: 1**

**F. PACKING:**

1. Reel Dimension (Please refer to FR-75D10 for packing quantity)



2. Tape Dimension





**SAW Filter 2140.0MHz**  
**Part No: MP07826**

**Model: TA1699A**  
**Rev No: 1**

**G. RECOMMENDED REFLOW PROFILE:**

