

SAW Filter 897.0MHz
Part No: MP09024

Model No: TB0840A
Rev No: 1

A. MAXIMUM RATING:

Electrostatic Sensitive Device

1. Operating temperature range: -40°C to 85°C
2. Storage temperature range: -40°C to 85°C
3. Input Power Level: 10dBm
4. Maximum DC Voltage: 10V
5. Moisture Sensitivity Level: Level 1 (MSL1)

B. CHARACTERISTICS:

Characteristics	Min.	Typ.	Max.
Center frequency F_c MHz	-	897	-
Maximum Insertion loss IL dB	-	28	30
3dB Band Width MHz	24	26	-
30dB Band Width MHz		29	32
Passband Ripple in $F_c \pm 10$ MHz dB	-	0.5	1.2
Group Delay in $F_c \pm 10$ MHz nsec	-	40	120
Absolute delay usec	-	0.82	-
Single Input Impedance Ohm	-	50	-
Single Output Impedance Ohm	-	50	-
Temperature Coefficient ppm/°C	-	-0.036	-

SAW Filter 897.0MHz
Part No: MP09024

Model No: TB0840A
Rev No: 1

C. FREQUENCY CHARACTERISTICS:

1. Wide band response

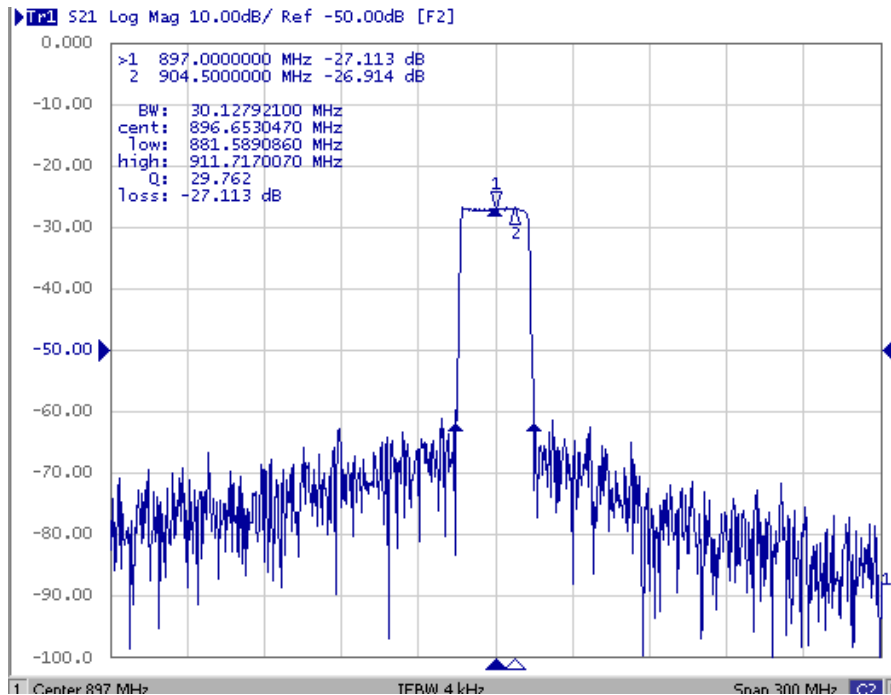


Fig. 1: Horizontal: 30MHz/Div, Vertical: 10dB/Div

2. Pass band & Group Delay response

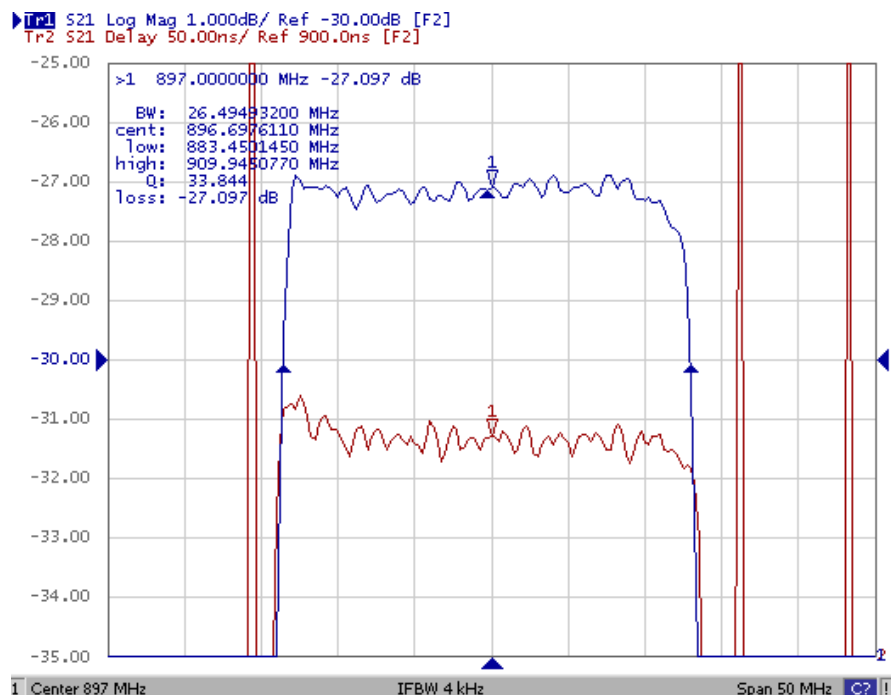
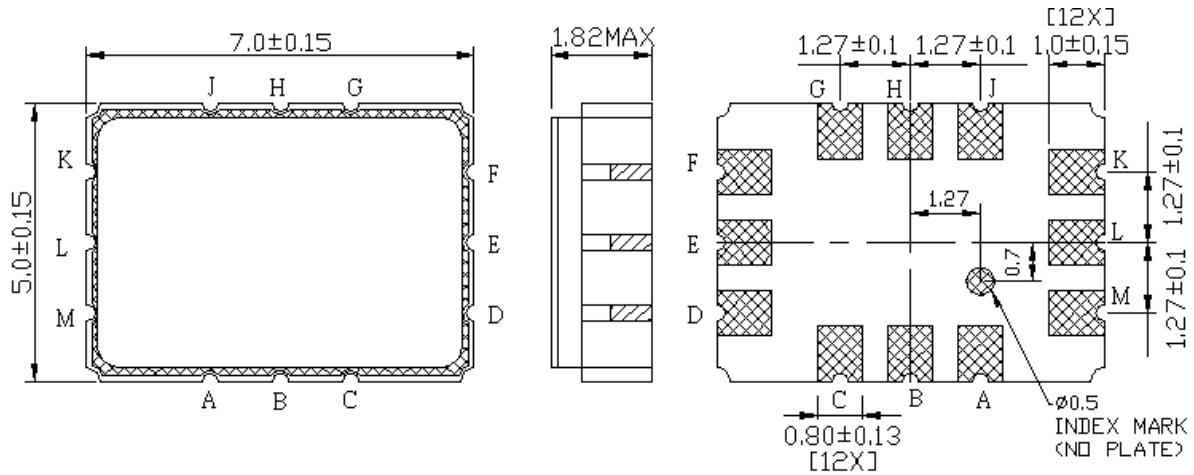


Fig. 2: Horizontal: 5MHz/Div, Vertical: 1dB/Div, Vertical: 50ns/Div

SAW Filter 897.0MHz
Part No: MP09024

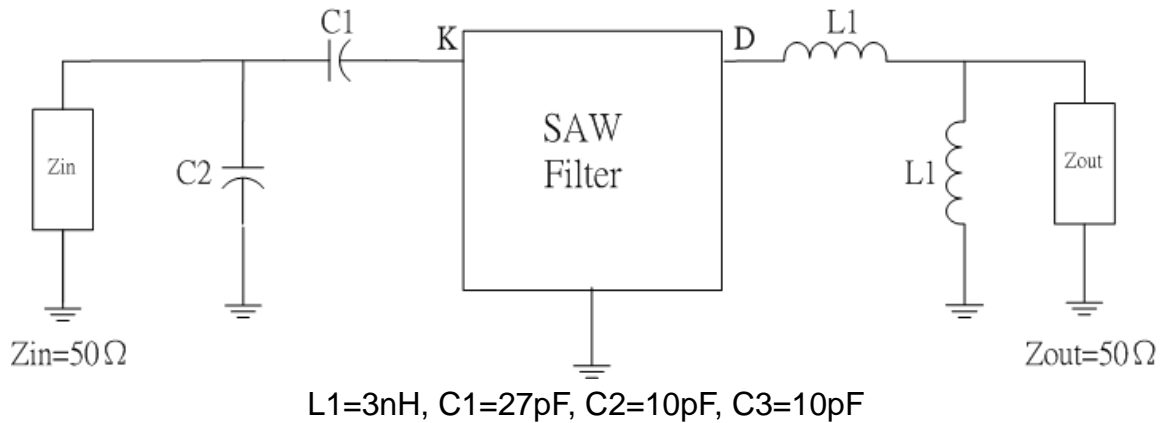
Model No: TB0840A
Rev No: 1

D. OUTLINE DRAWING:

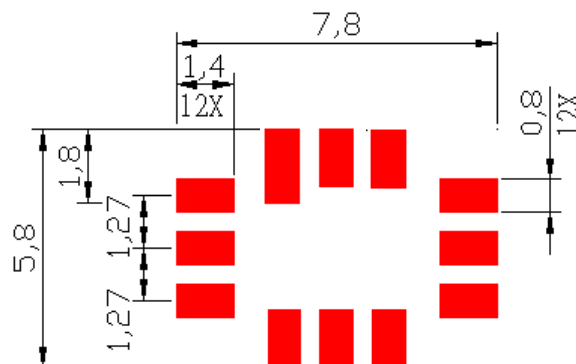


K: RF input
 D: RF output
 Others: Ground
 Unit: mm

E. MATCHING CIRCUIT:



F. PCB FOOTPRINT:

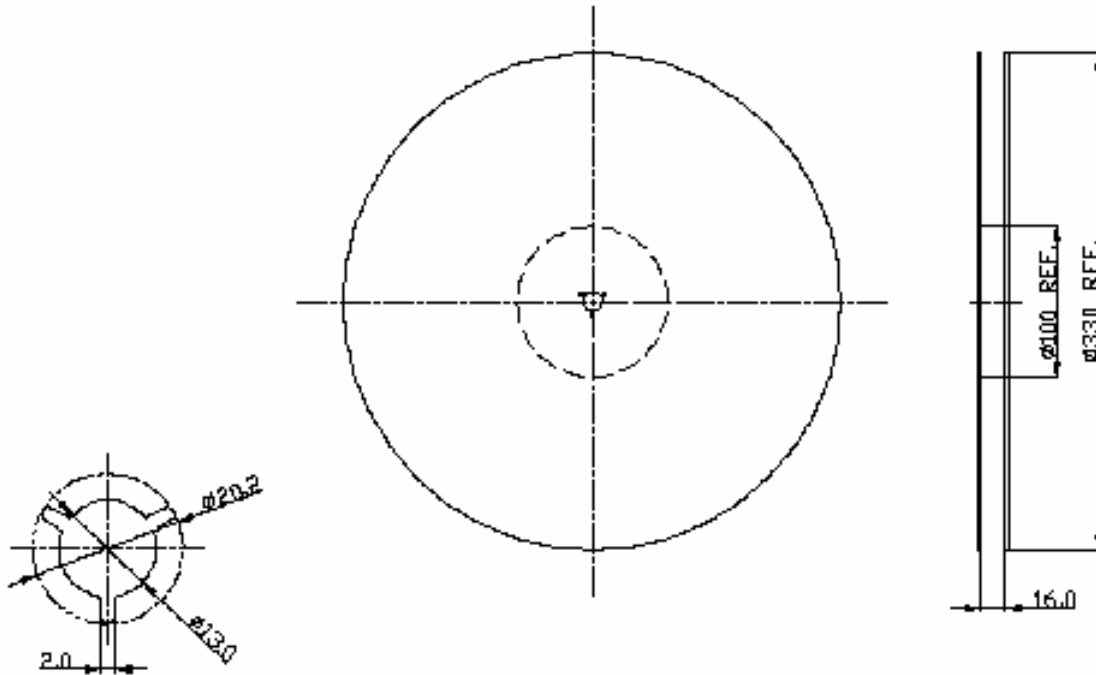


SAW Filter 897.0MHz
Part No: MP09024

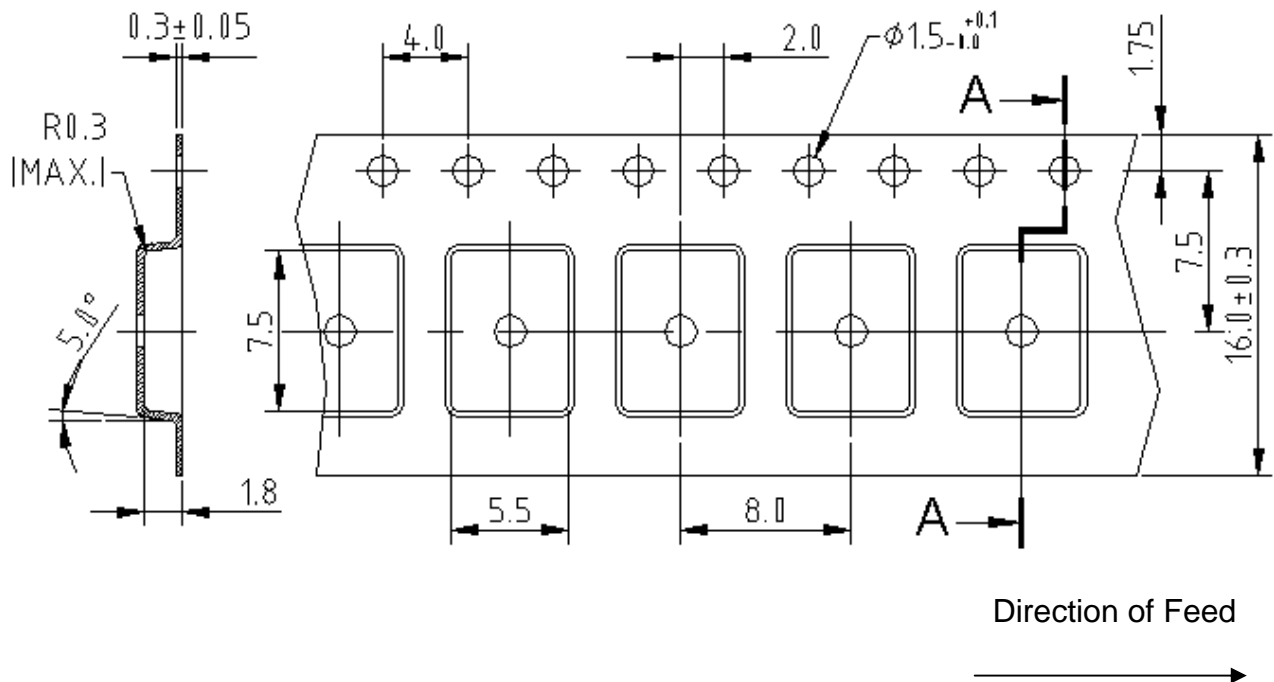
Model No: TB0840A
Rev No: 1

G. PACKING:

1. Reel Dimension



2. Tape Dimension



SAW Filter 897.0MHz
Part No: MP09024

Model No: TB0840A
Rev No: 1

H. RECOMMENDED REFLOW PROFILE:

1. Preheating shall be fixed at 150 ~ 180°C for 60 ~ 90 seconds.
2. Ascending time to preheating temperature 150°C shall be 30 seconds min.
3. Heating shall be fixed at 220°C for 50 ~ 80 seconds and at 260°C +0/-5°C peak (20 ~ 40 sec).
4. Time: 2 times.

