

SAW Filter 942.0MHz

Model No: TB0841A

Part No: MP09026

Rev No: 1

A. MAXIMUM RATING:

Electrostatic Sensitive Device

1. Operating temperature range: -40°C to 85°C
2. Storage temperature range: -40°C to 85°C
3. Input Power Level: 10 dBm
4. Maximum DC Voltage: 10V
5. Moisture Sensitivity Level: Level 1 (MSL1)

B. ELECTRICAL CHARACTERISTICS:

Ambient Temperature: 25°C

Characteristics	Min.	Typ.	Max.
Center frequency F_C MHz	-	942	-
Maximum Insertion loss IL dB	-	27.5	30.0
3dB Band Width MHz	24.0	27.8	-
30B Band Width MHz	-	30	33
Passband Ripple in $F_C \pm 10\text{MHz}$ dB	-	0.5	1.2
Group Delay in $F_C \pm 10\text{MHz}$ nsec	-	40	120
Absolute delay usec	-	0.80	-
Single Input Impedance Ohm	-	50	-
Single Output Impedance Ohm	-	50	-
Temperature Coefficient ppm/°C ²	-	-0.036	-

SAW Filter 942.0MHz
Part No: MP09026

Model No: TB0841A
Rev No: 1

C. FREQUENCY CHARACTERISTICS:

1. Wide band response

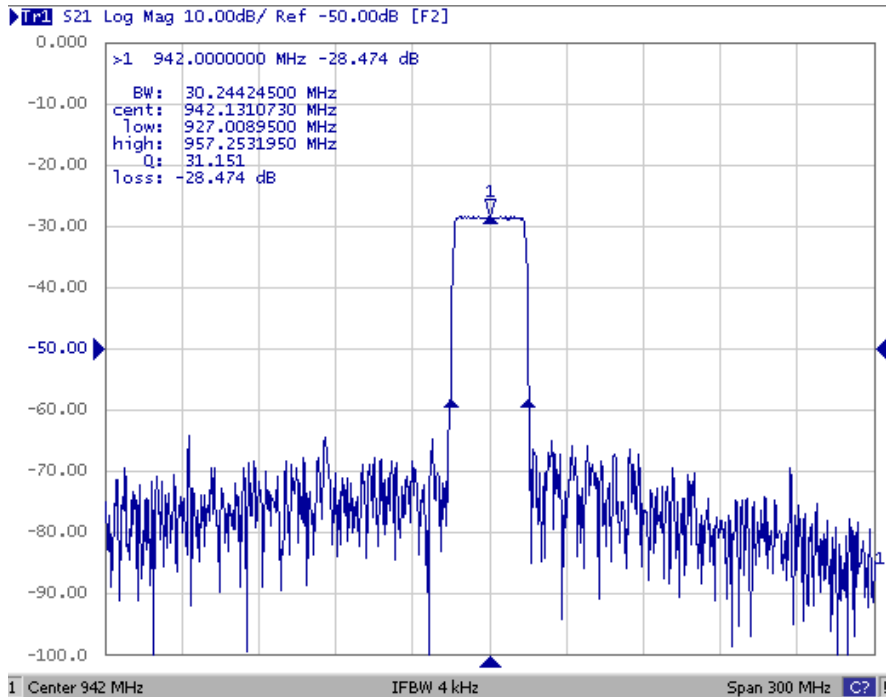


Fig. 1: Horizontal: 30MHz/Div, Vertical: 10dB/Div

2. Pass band & Group Delay response

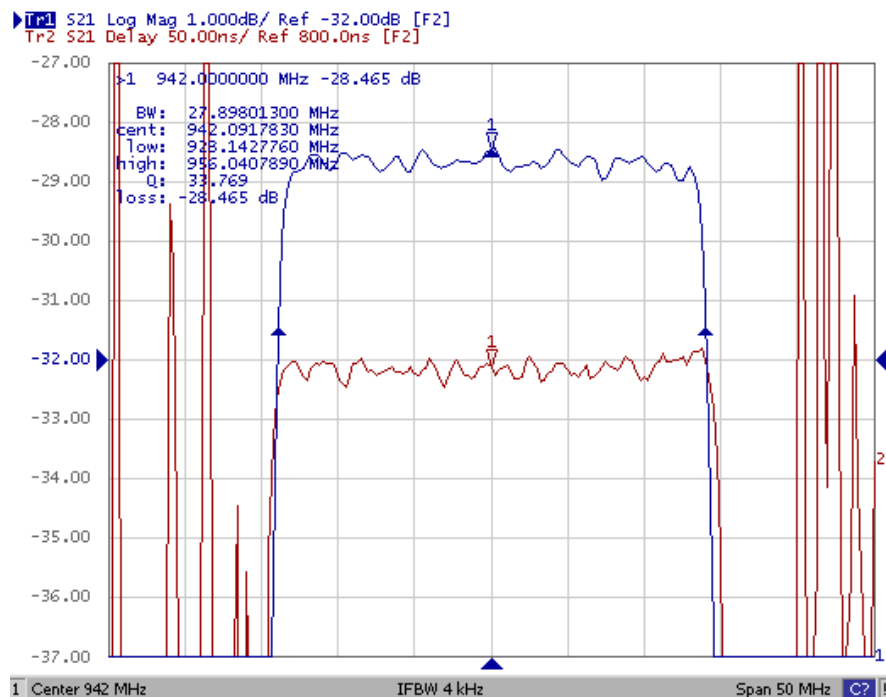
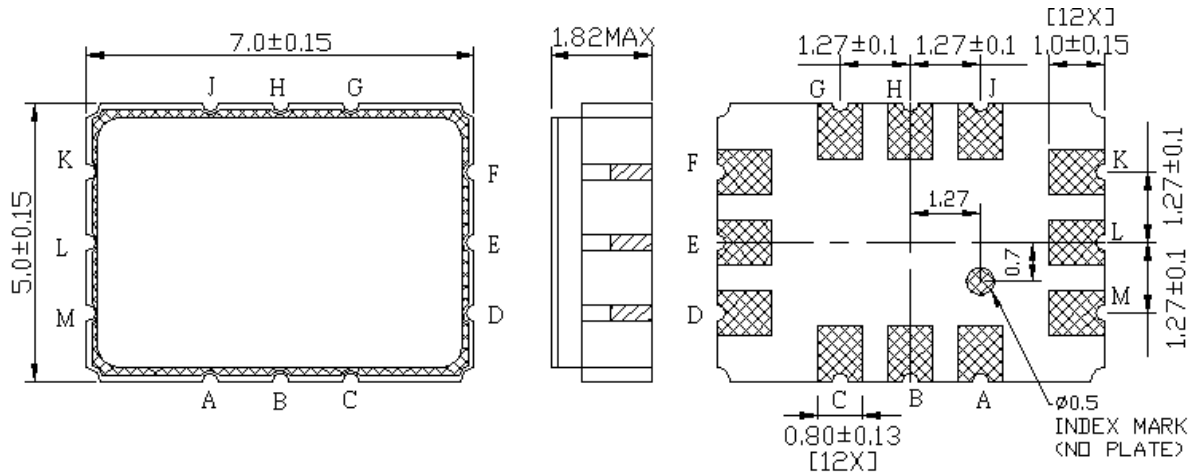


Fig. 2: Horizontal: 5MHz/Div, Vertical: 1dB/Div, Vertical: 50ns/Div

SAW Filter 942.0MHz
Part No: MP09026

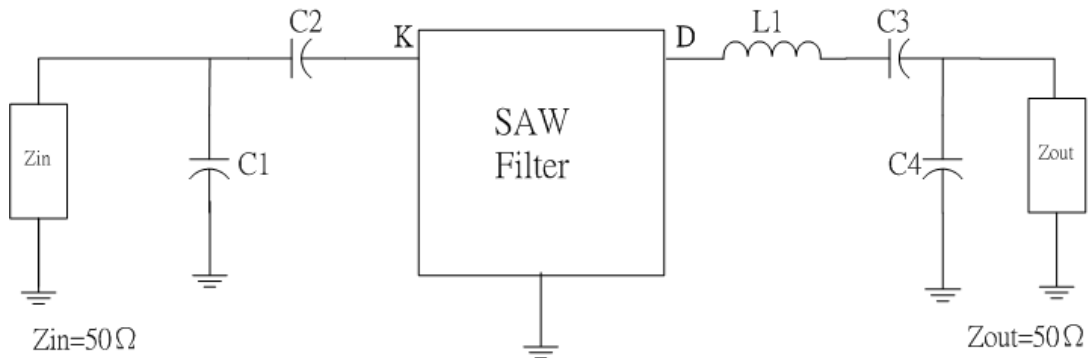
Model No: TB0841A
Rev No: 1

D. MATCHING CIRCUIT:



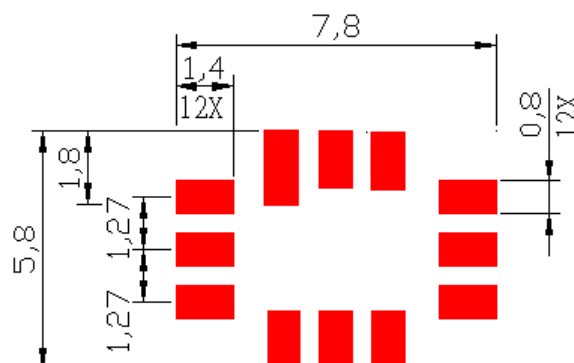
K: RF input
 D: RF output
 Others: Ground
 Unit: mm

E. MATCHING CIRCUIT:



L1=3nH, C1=10pF, C2=32pF, C3=18pF, C4=9pF

F. PCB FOOTPRINT:

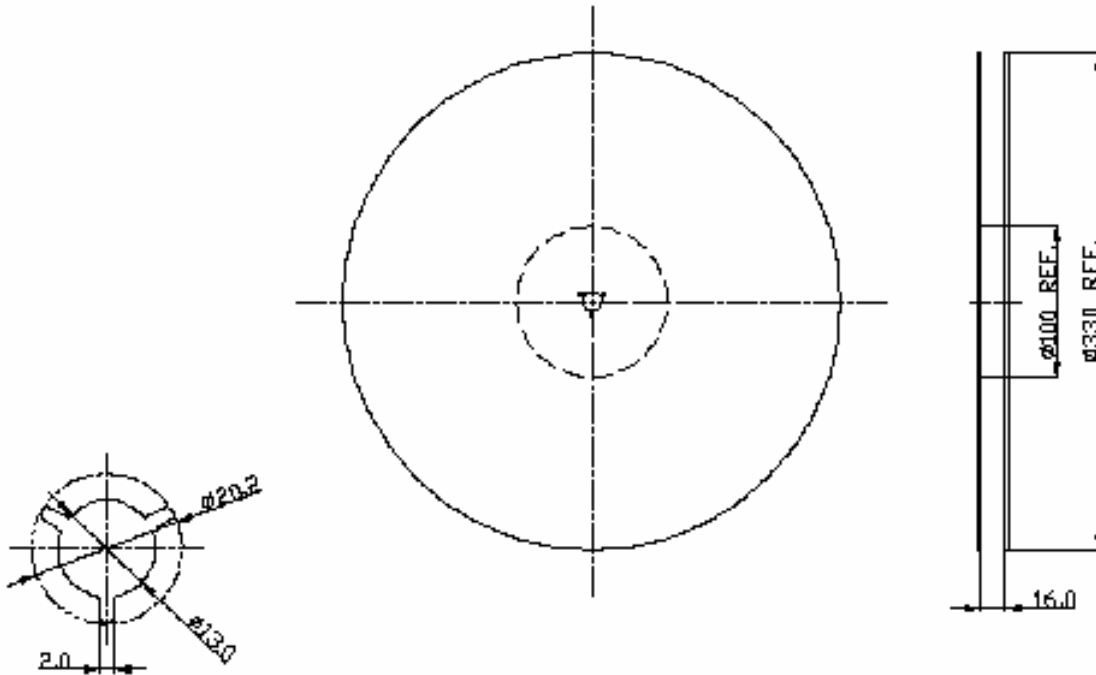


SAW Filter 942.0MHz
Part No: MP09026

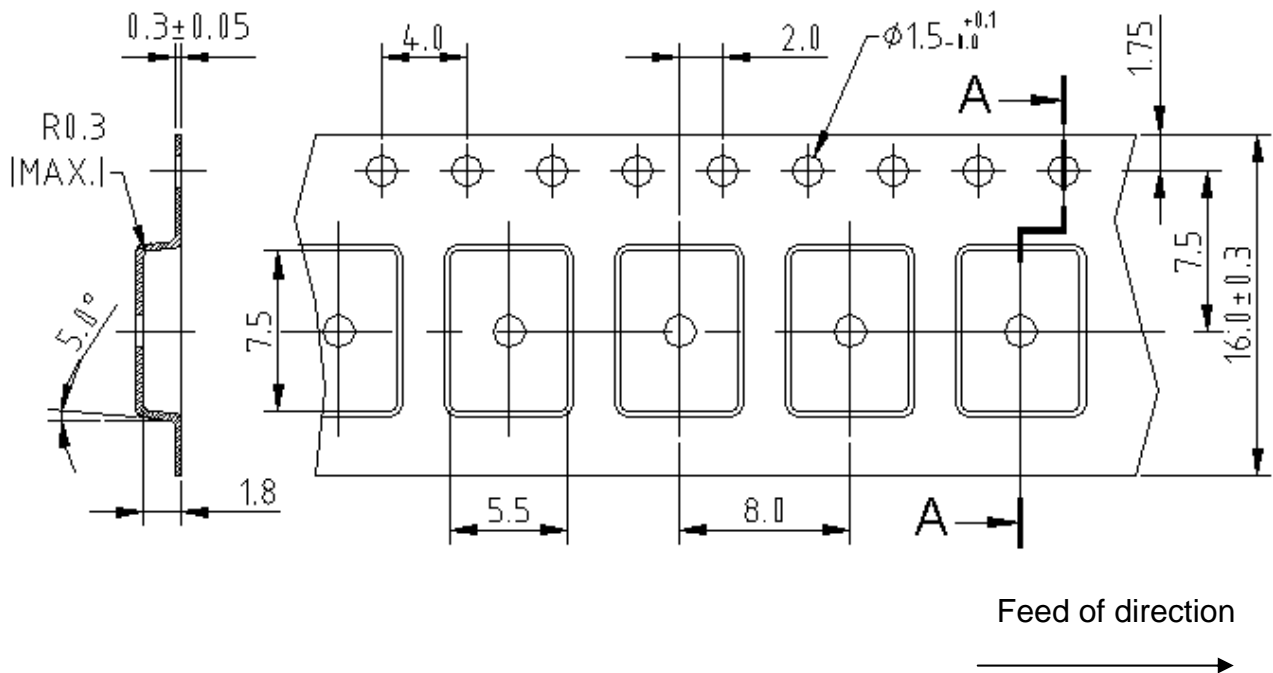
Model No: TB0841A
Rev No: 1

G. PACKING:

1. Reel Dimension



2. Tape Dimension



SAW Filter 942.0MHz
Part No: MP09026

Model No: TB0841A
Rev No: 1

H. RECOMMENDED REFLOW PROFILE:

1. Preheating shall be fixed at 150 ~ 180°C for 60 ~ 90 seconds.
2. Ascending time to preheating temperature 150°C shall be 30 seconds min.
3. Heating shall be fixed at 220°C for 50 ~ 80 seconds and at 260°C +0/-5°C peak (20 ~ 40 sec).
4. Time: 2 times.

