

SAW Filter 978.0MHz

Model: TA1381A

Part No: MP07881

Rev No: 1

A. MAXIMUM RATING:

Electrostatic Sensitive Device (ESD)

1. Input Power Level: 10dBm
2. DC Voltage: 3V
3. Operating Temperature: 0°C to +85°C
4. Storage Temperature: -40°C to +85°C

B. ELECTRICAL CHARACTERISTICS:

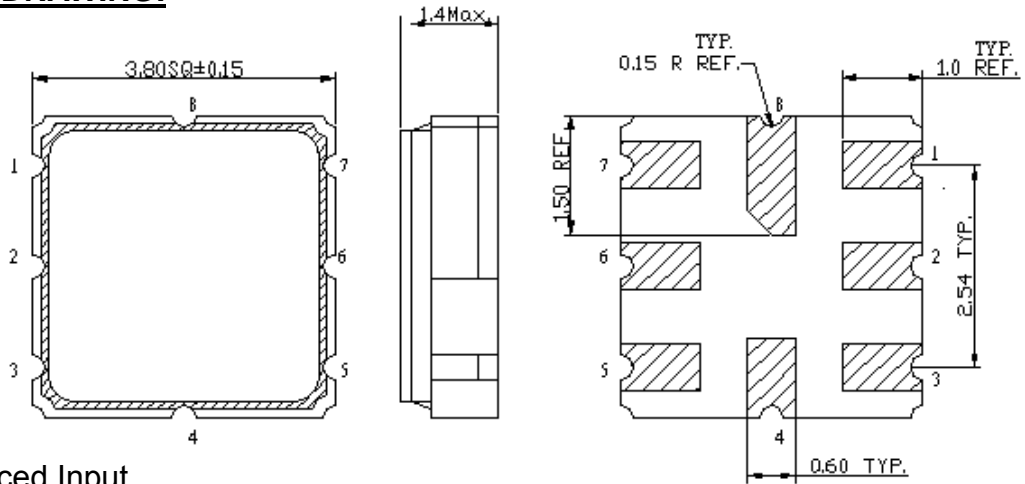
1. Terminating source impedance (differential): $Z_S = 50\Omega$
2. Terminating load impedance (differential): $Z_L = 50\Omega$

Item	Unit	Min.	Typ.	Max.	Note
Center Frequency Fc	MHz	-	978	-	-
Insertion Loss (965.5 ~ 990.5MHz)	dB	-	2.6	3.5	-
Amplitude ripple (965.5 ~ 990.5MHz)	dB	-	0.7	1.5	-
VSWR (965.5 ~ 990.5MHz)		-	1.8	2.3	-
Attenuation (reference level from 0dB)					
200 ~ 600MHz	dB	45	48	-	-
600 ~ 850MHz	dB	40	43	-	-
850 ~ 920MHz	dB	30	41	-	-
1040 ~ 1100MHz	dB	30	35	-	-
1100 ~ 1250MHz	dB	38	42	-	-
1250 ~ 1800MHz	dB	30	34	-	-
Temperature Coefficient of Frequency	ppm/°C	-	-36	-	-

SAW Filter 978.0MHz
Part No: MP07881

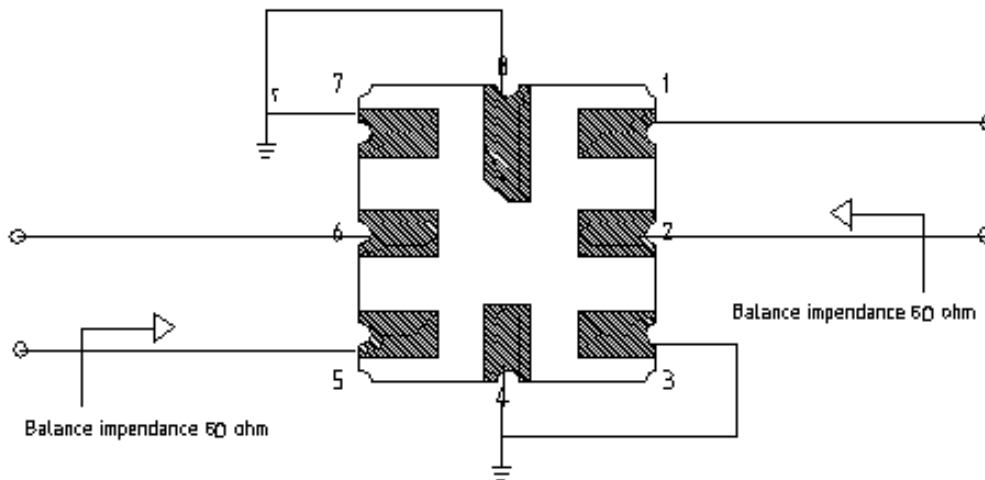
Model: TA1381A
Rev No: 1

C. OUTLINE DRAWING:

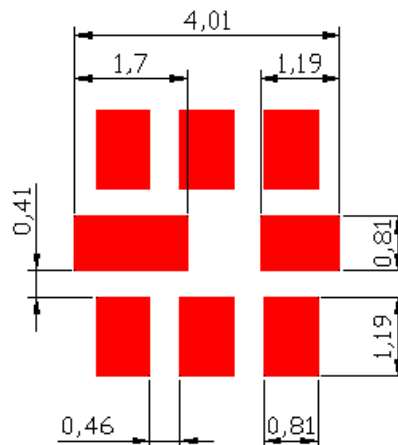


- 1, 2: Balanced Input
- 5, 6: Balanced Output
- 3, 4, 7, 8: Ground
- Unit: mm

D. MEASUREMENT CIRCUIT:



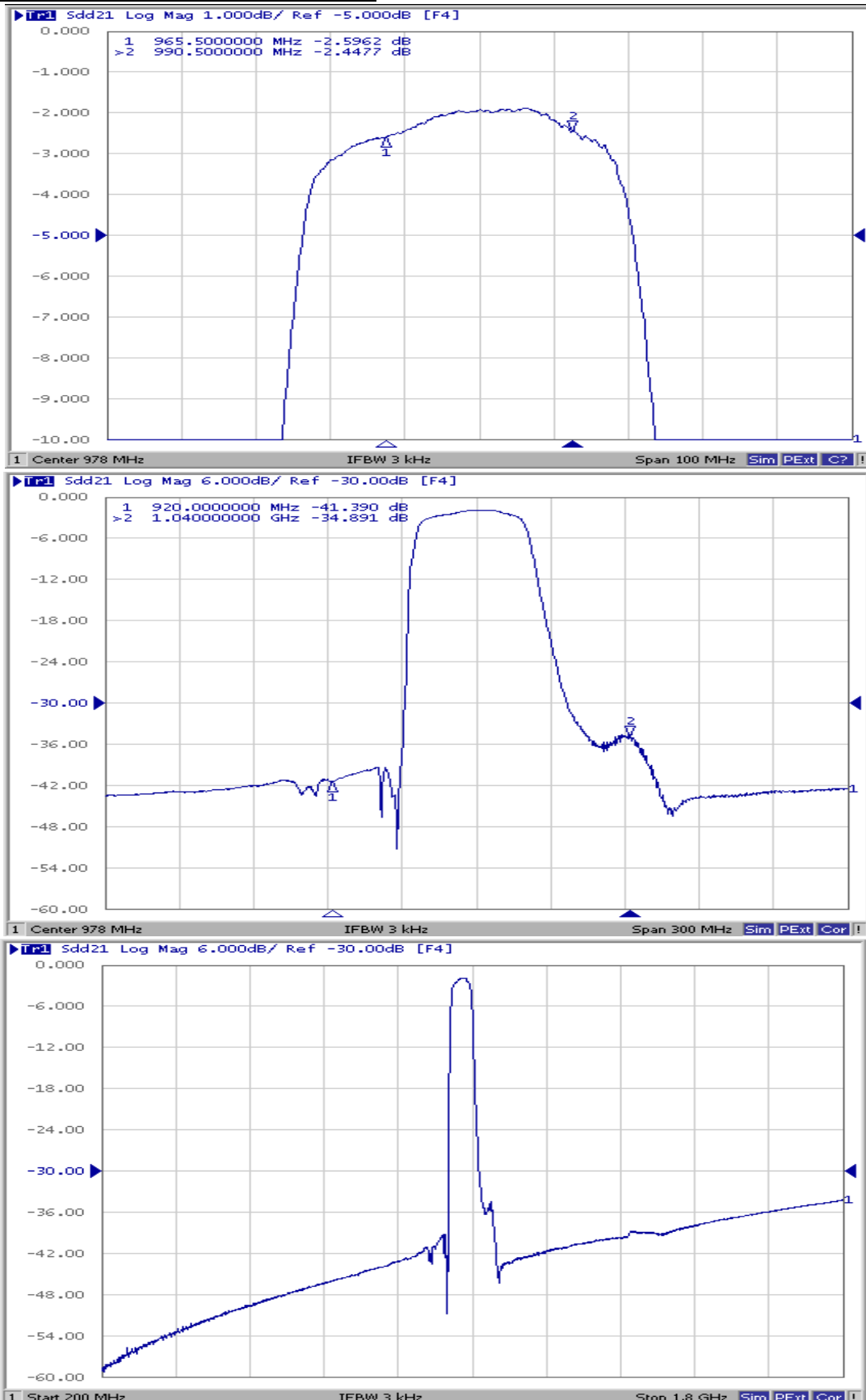
E. PCB FOOTPRINT:



SAW Filter 978.0MHz
Part No: MP07881

Model: TA1381A
Rev No: 1

F. FREQUENCY CHARACTERISTICS:

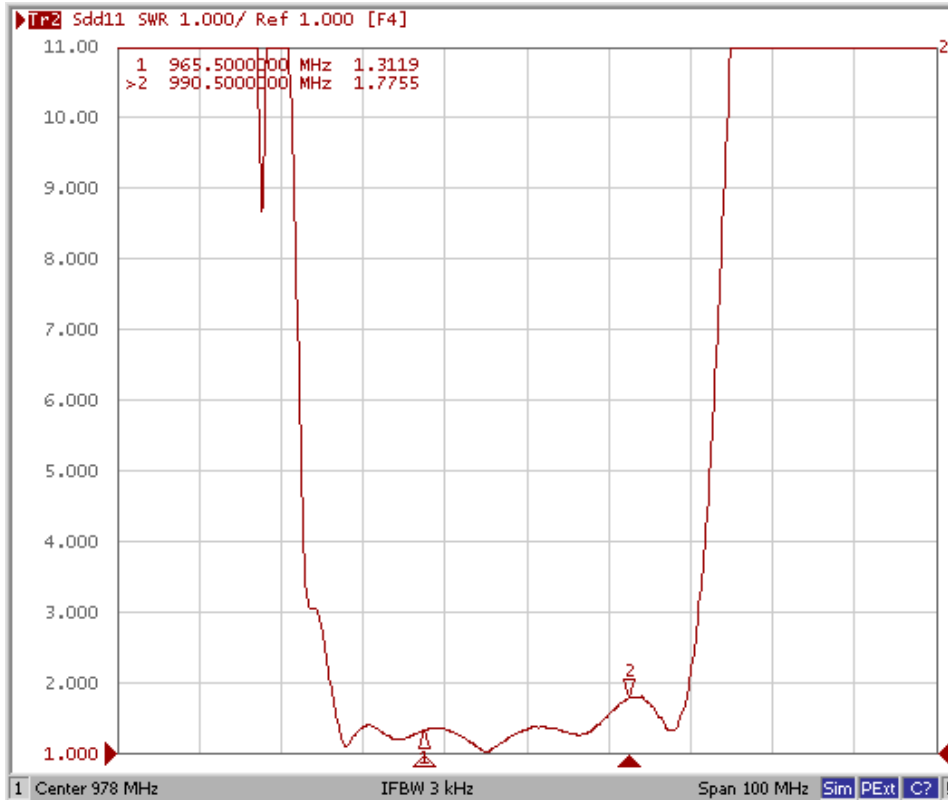


SAW Filter 978.0MHz
Part No: MP07881

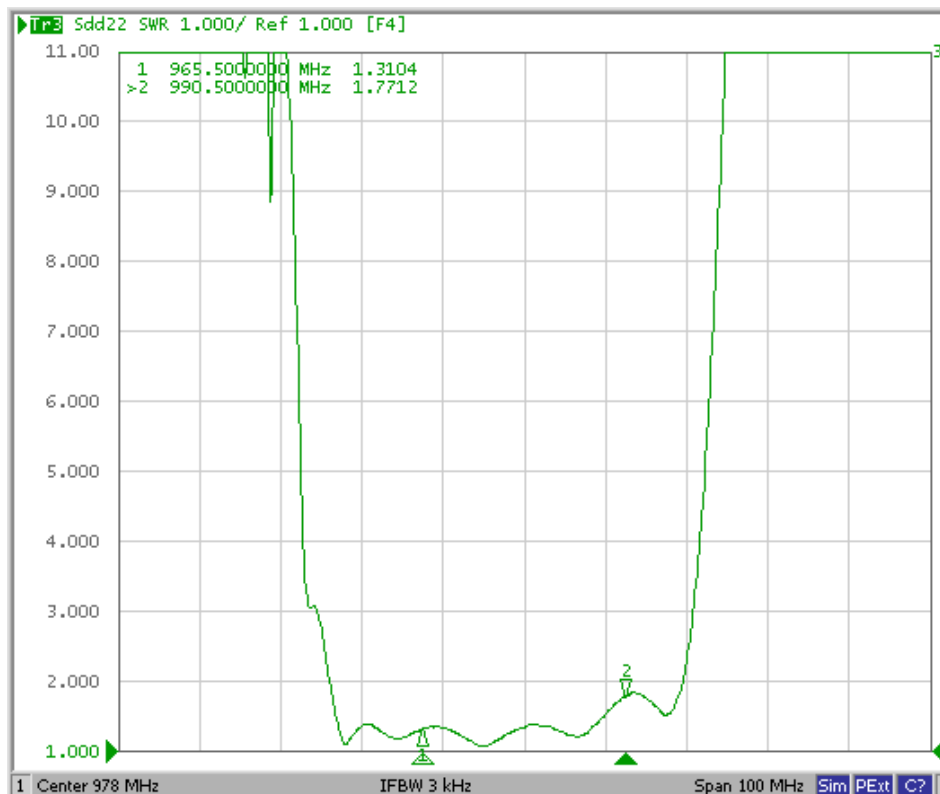
Model: TA1381A
Rev No: 1

Reflection Functions

S11



S22

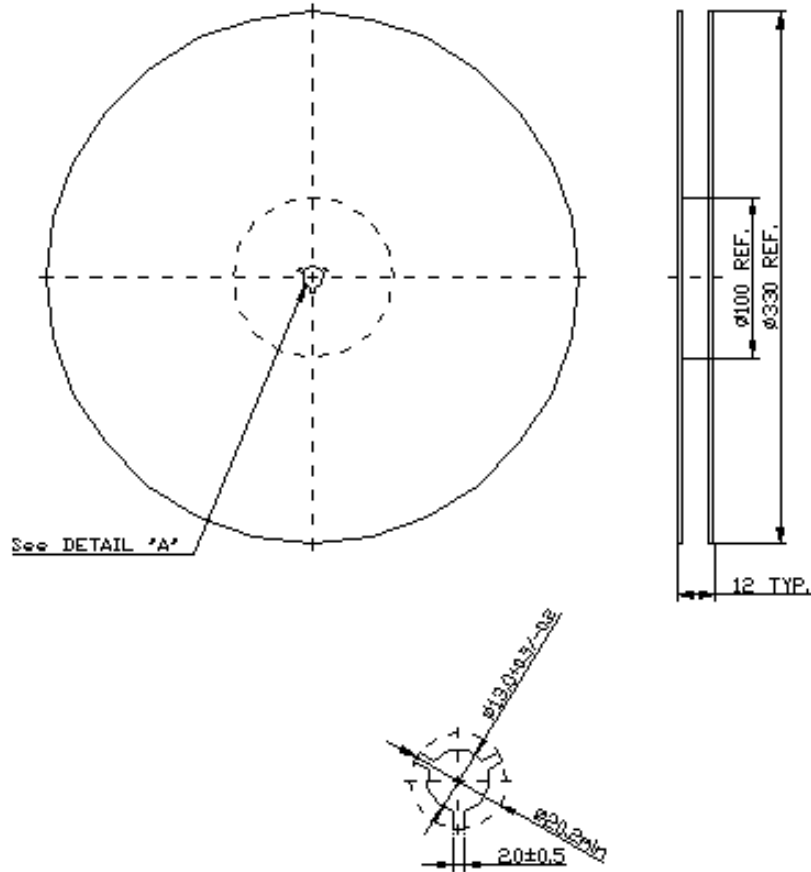


SAW Filter 978.0MHz
Part No: MP07881

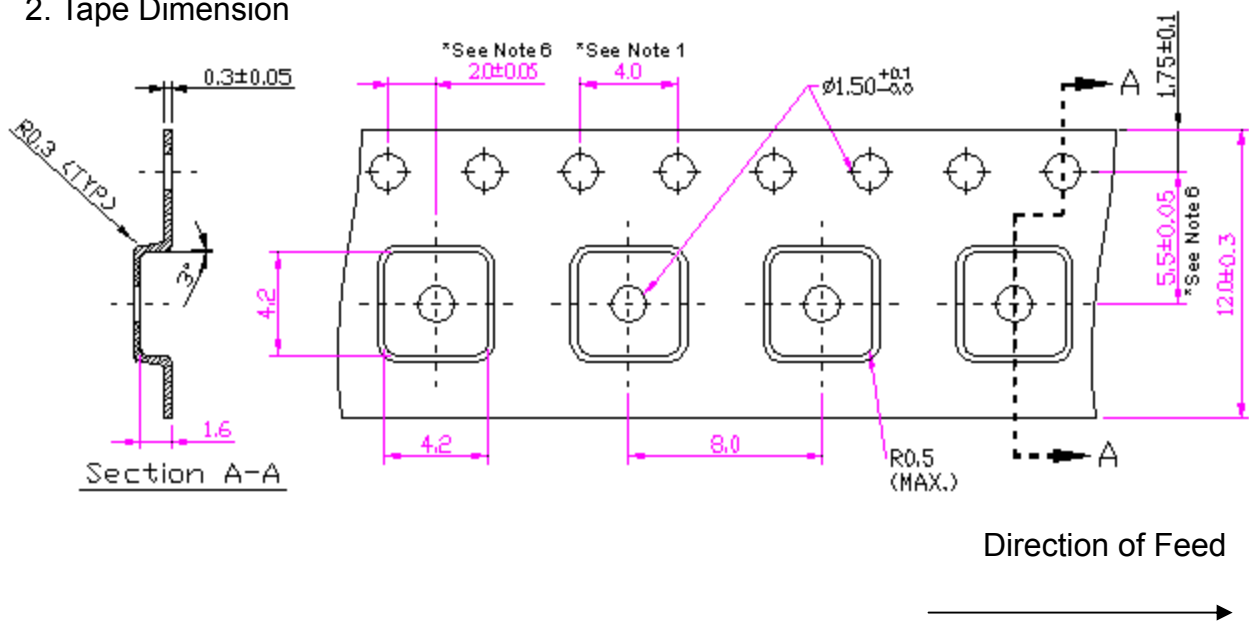
Model: TA1381A
Rev No: 1

G. PACKING:

1. Reel Dimension



2. Tape Dimension



SAW Filter 978.0MHz
Part No: MP07881

Model: TA1381A
Rev No: 1

H. RECOMMENDED REFLOW PROFILE:

1. Preheating shall be fixed at 150 ~ 180°C for 60 ~ 90 seconds.
2. Ascending time to preheating temperature 150°C shall be 30 seconds min.
3. Heating shall be fixed at 220°C for 50 ~ 80 seconds and at 245 ~ 260°C peak (min. 10 sec).
4. Time: 2 times.

