

SAW Filter 1575.420MHz

Model: TA0757B

Part No: MP01897

Rev. No:2

A. MAXIMUM RATING:

Electrostatic Sensitive Device (ESD)

1. Input Power Level: 15dBm
2. DC Voltage: 3V
3. Operating Temperature: -40°C to +85°C
4. Storage Temperature: -40°C to +85°C
5. Moisture Sensitivity Level: Level 3 (MSL3)

B. ELECTRICAL CHARACTERISTICS:

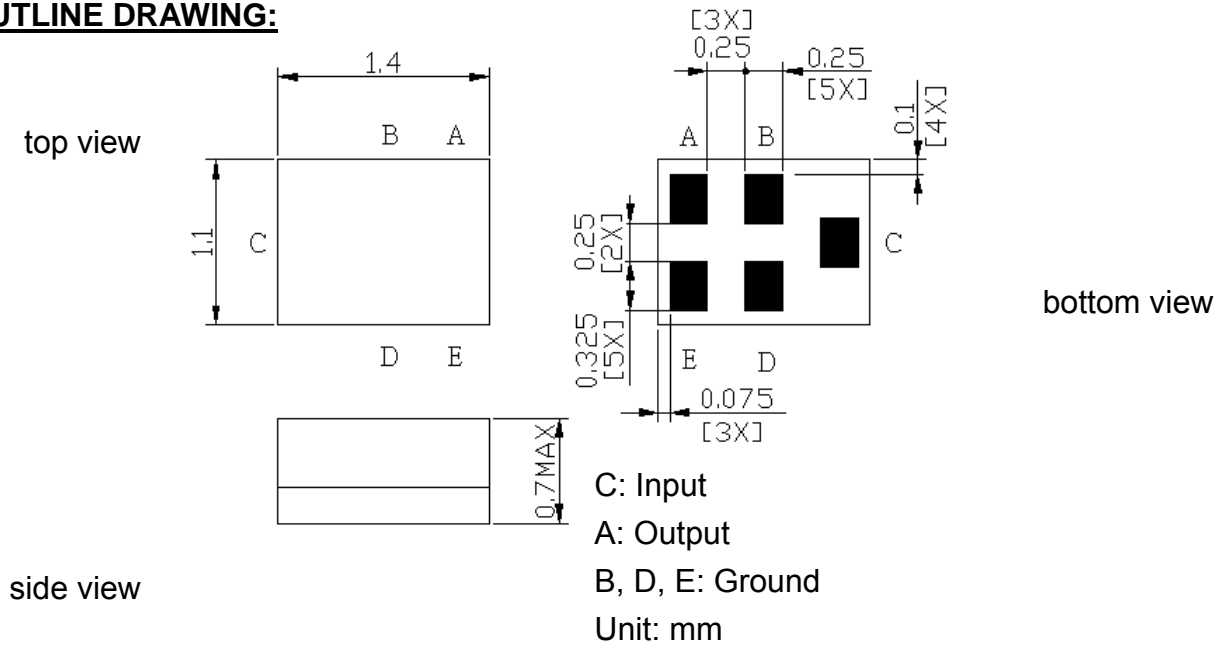
1. Terminating source impedance: $Z_S = 50\Omega$
2. Terminating load impedance: $Z_L = 50\Omega$

Item	Unit	Min.	Typ.	Max.	Note
Center Frequency Fc	MHz	-	1575.42	-	-
Max. Insertion Loss (1574.42 ~ 1576.42MHz) IL	dB	-	1	1.5	-
Amplitude ripple (1574.42 ~ 1576.42MHz)	dB	-	0.1	0.75	-
Bandwidth @ -2dB	MHz	-	40	-	-
VSWR (1574.42 ~ 1576.42MHz)		-	1.25	1.6	-
Attenuation					
D.C ~ 1450MHz	dB	33	35	-	-
1450 ~ 1520MHz	dB	30	42	-	-
1625 ~ 1640MHz	dB	35	38	-	-
1640 ~ 1805MHz	dB	34	36	-	-
1805 ~ 1910MHz	dB	34	37	-	-
1910 ~ 2000MHz	dB	34	38	-	-
2000 ~ 4000MHz	dB	30	32	-	-
4000 ~ 6000MHz	dB	20	23	-	-

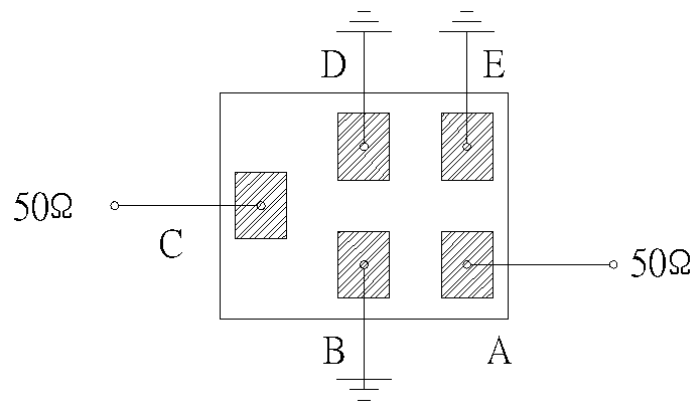
SAW Filter 1575.420MHz
Part No: MP01897

Model: TA0757B
Rev. No:2

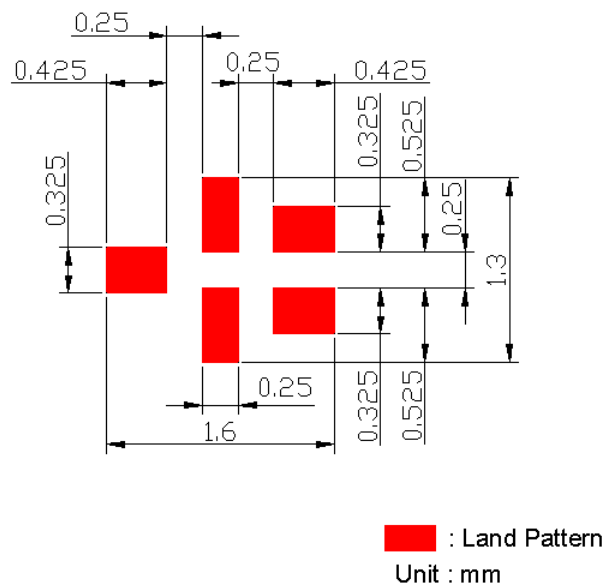
C. OUTLINE DRAWING:



D. MEASUREMENT CIRCUIT:



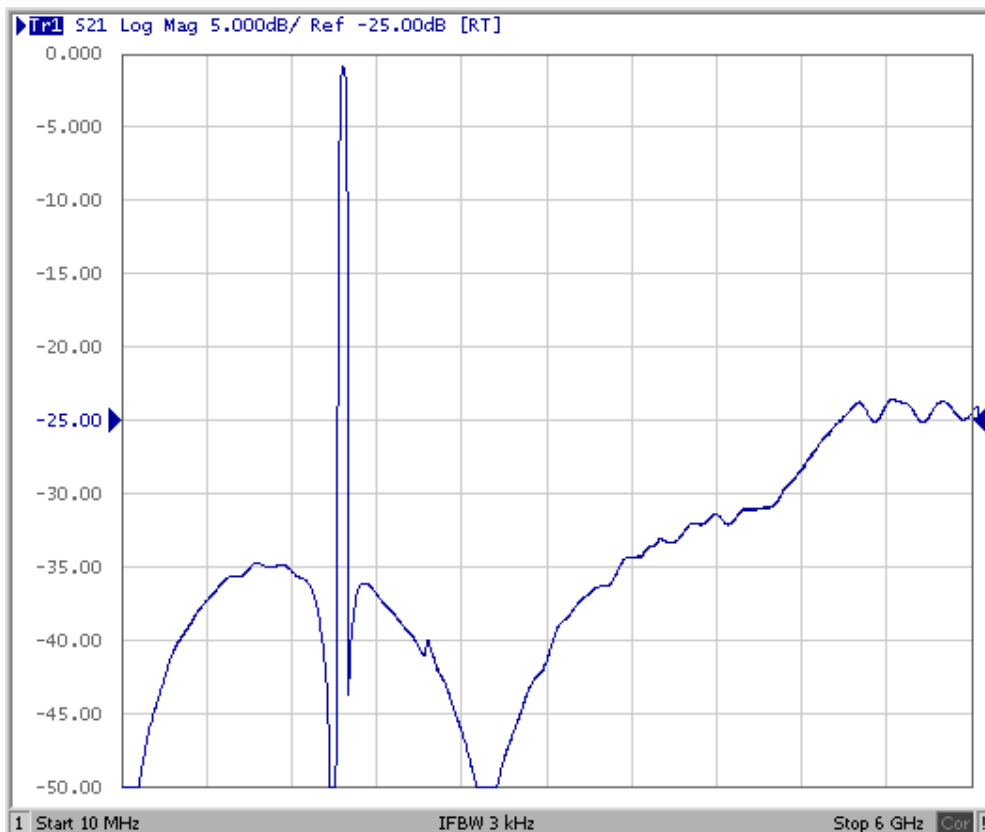
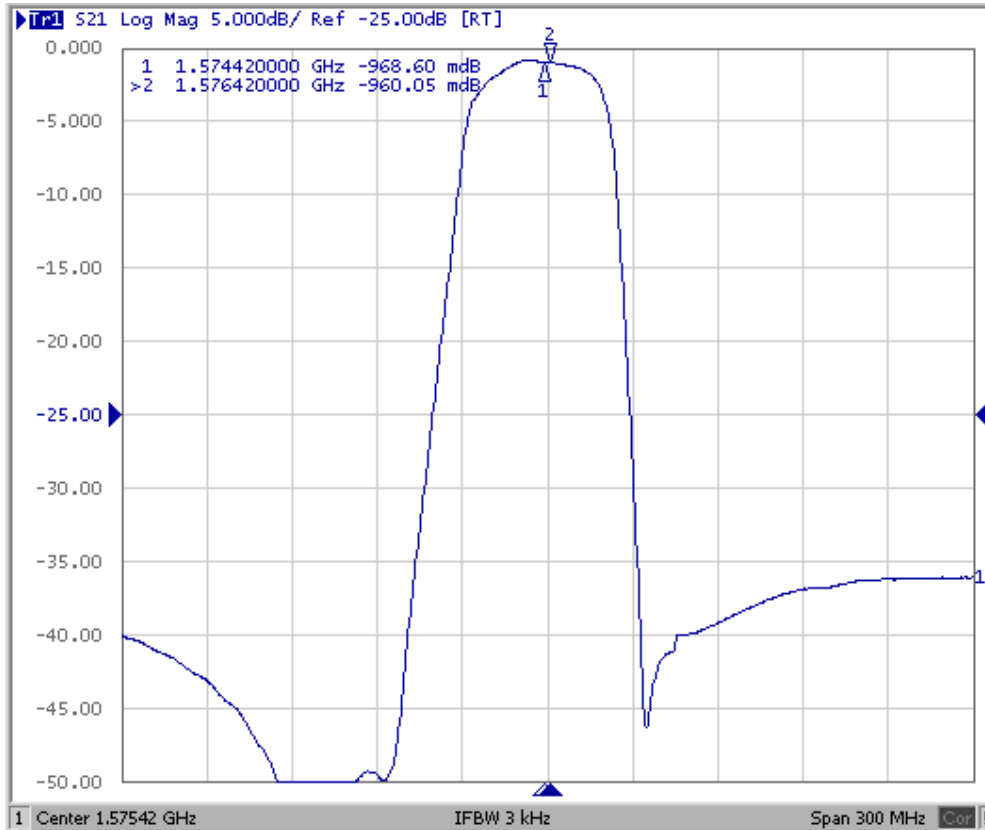
E. PCB FOOTPRINT:



SAW Filter 1575.420MHz
Part No: MP01897

Model: TA0757B
Rev. No:2

F. FREQUENCY CHARACTERISTICS:

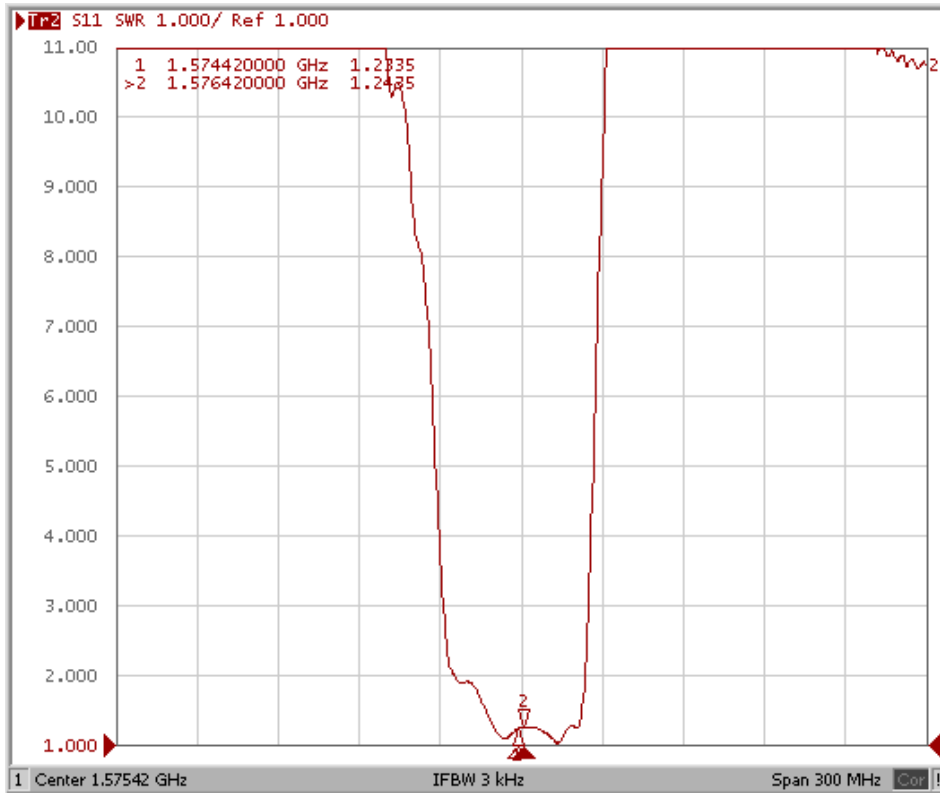


SAW Filter 1575.420MHz
Part No: MP01897

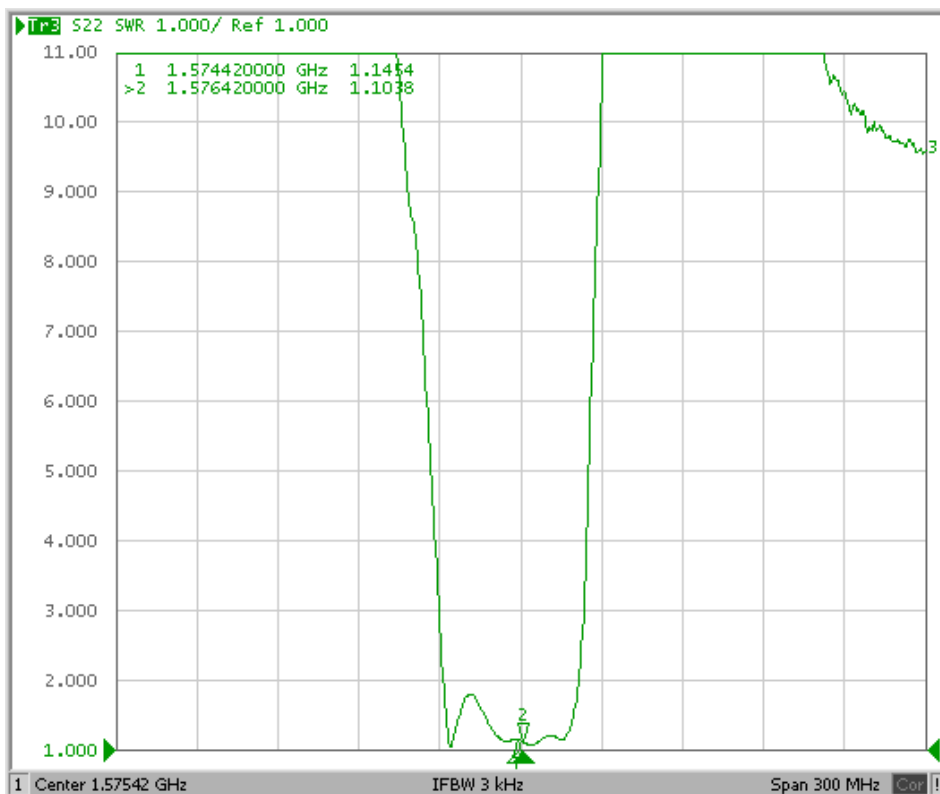
Model: TA0757B
Rev. No:2

Reflection Functions:

S11



S22

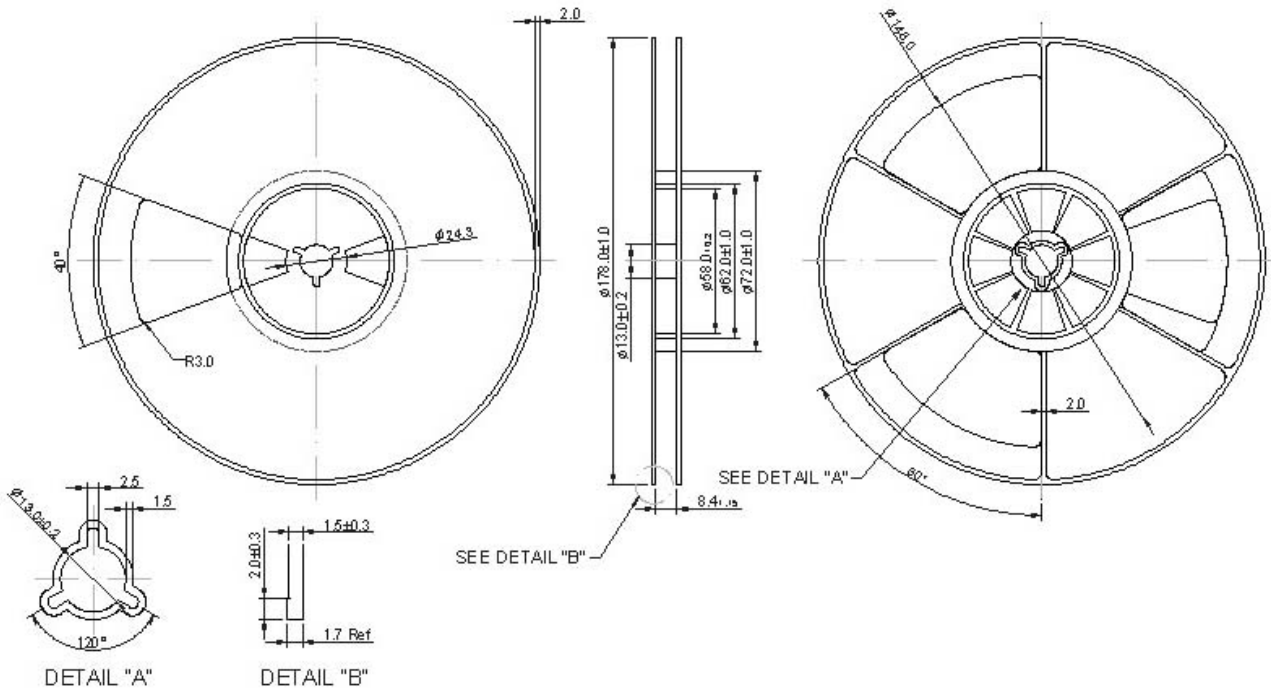


SAW Filter 1575.420MHz
Part No: MP01897

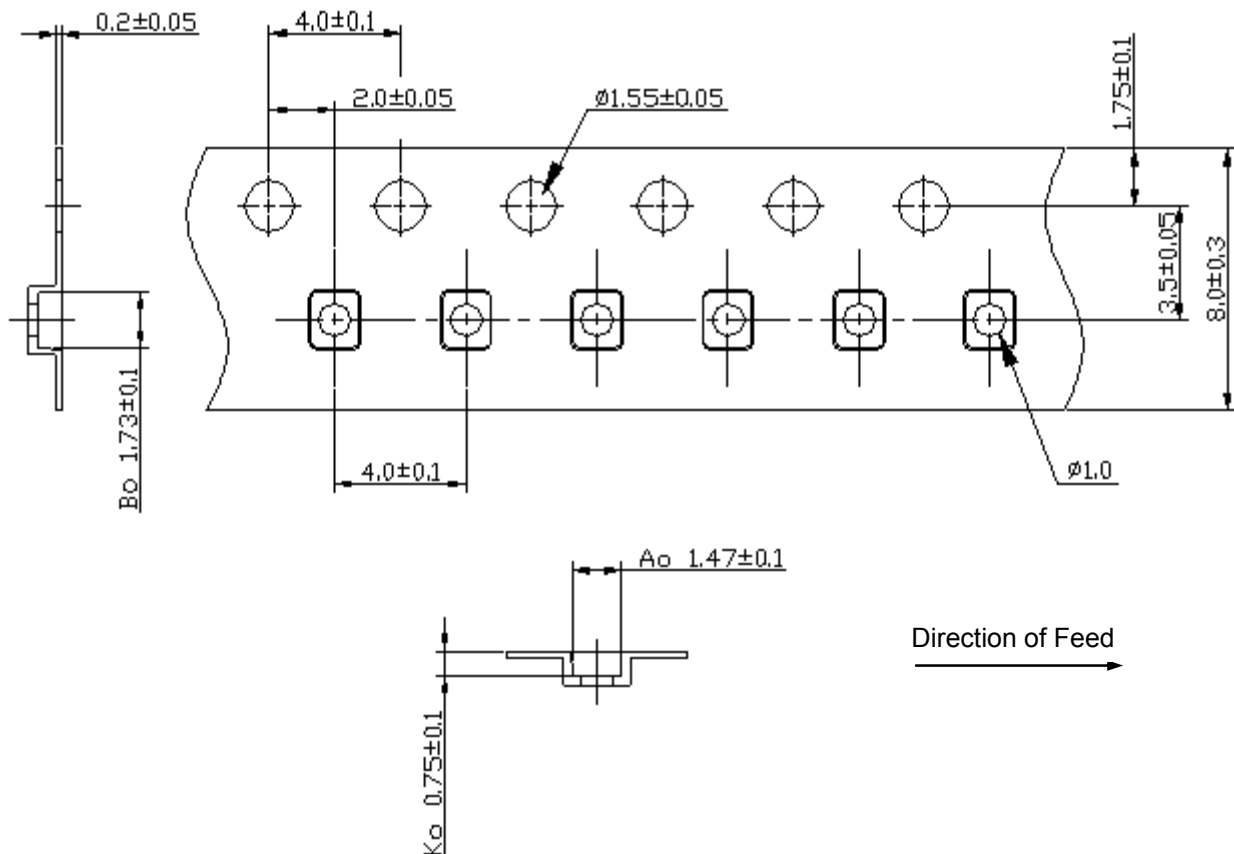
Model: TA0757B
Rev. No:2

G. PACKING:

1. Reel Dimension



2. Tape Dimension



SAW Filter 1575.420MHz
Part No: MP01897

Model: TA0757B
Rev. No:2

H. RECOMMENDED REFLOW PROFILE:

1. Preheating shall be fixed at 150 ~ 180°C for 60 ~ 90 seconds.
2. Ascending time to preheating temperature 150°C shall be 30 seconds min.
3. Heating shall be fixed at 220°C for 50 ~ 80 seconds and at 245 ~ 260°C peak (min. 10sec).
4. Time: 2 times.

