

SAW Filter 64.80MHz
Part No: MP02669

Model: TB0395A
Rev. No:3

A. MAXIMUM RATING:

1. Operating Temperature: -30°C ~ +60°C
2. Storage Temperature: -40°C ~ +85°C
3. Input Power Level: 10dBm

B. CHARACTERISTICS:

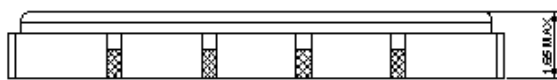
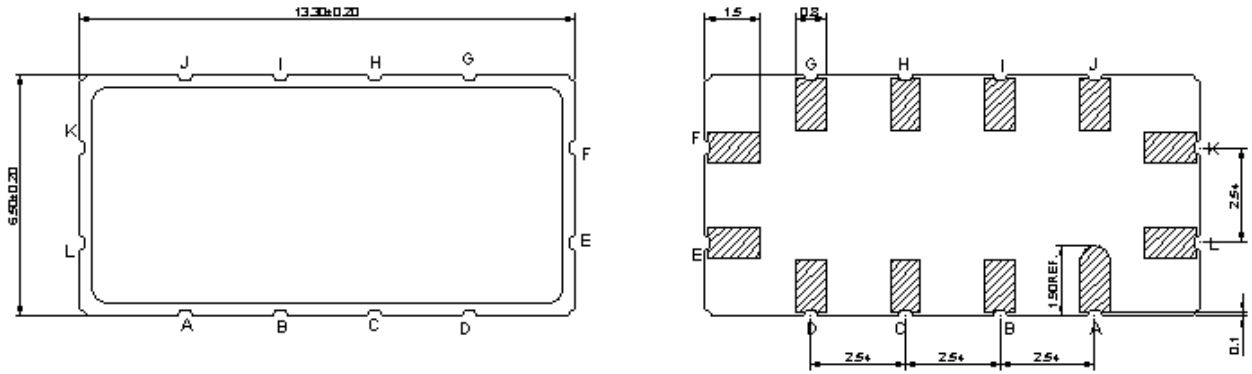
Ambient Temperature: 25°C

Characteristics	Min.	Typ.	Max.	Note
Center frequency Fc MHz	-	64.8	-	-
Maximum Insertion loss IL dB	-	8.41	13.0	-
1dB Bandwidth MHz	8.40	9.27	-	-
3dB Bandwidth MHz	9.00	10.25	-	-
35dB Bandwidth MHz	-	13.08	14.00	-
Passband Ripple (Fc ±4.2MHz) MHz	-	0.66	1.00	-
Group Delay Ripple (Fc ±4.2MHz) nS	-	120	-	-
Group Delay at Fc uS	-	0.90	1.00	-
Phase linearity at any 200kHz B P-P Deg	-	2.0	5.0	-
Temp Coefficient ppm/°C	-	-94	-	-
Attenuation: (Reference level from minimum insertion loss)				
10 ~ 57MHz dB	30	36	-	-
57.6MHz dB	35	40	-	-
73 ~ 90MHz dB	30	34	-	-
90 ~ 100MHz dB	40	49	-	-
100 ~ 140MHz dB	40	49	-	-

SAW Filter 64.80MHz
Part No: MP02669

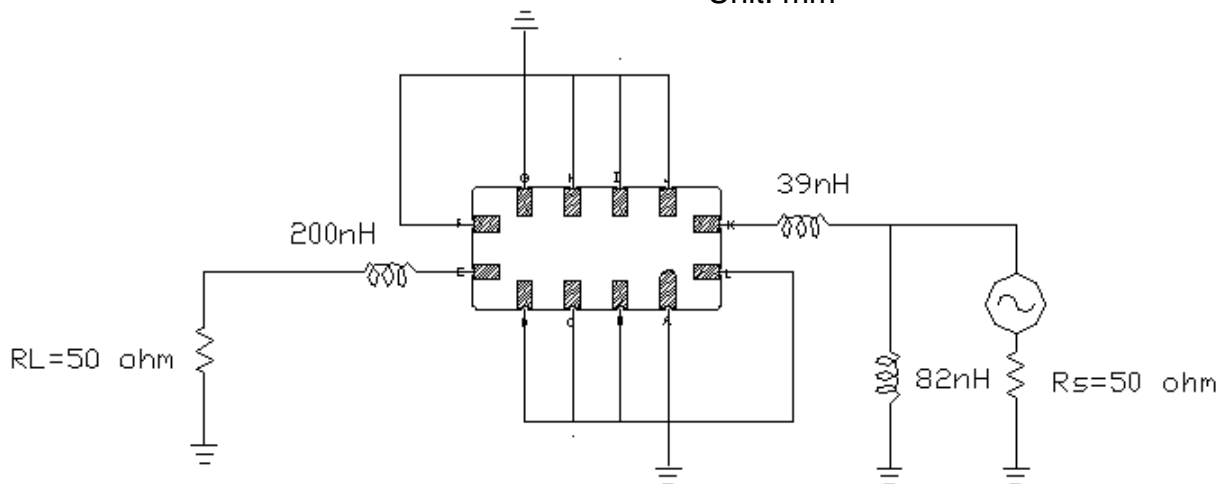
Model: TB0395A
Rev. No:3

C. OUTLINE DRAWING:

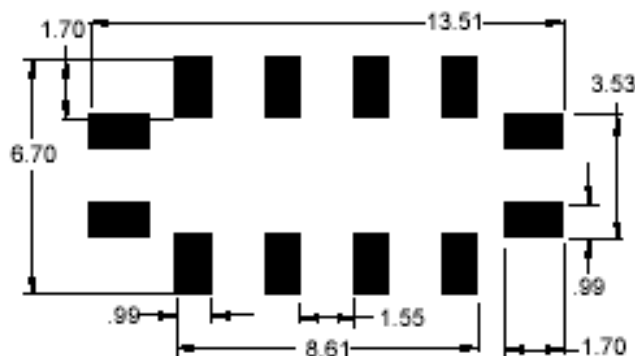


- K: RF Input
 - L: RF Input ground
 - E: RF Output
 - F: RF Output ground
 - A, B, C, D, G, H, I, J: To be ground
- Unit: mm

D. TEST FIXTURE:



E. PCB FOOTPRINT:



SAW Filter 64.80MHz
Part No: MP02669

Model: TB0395A
Rev. No:3

F. FREQUENCY CHARACTERISTICS:

1. S21 Response

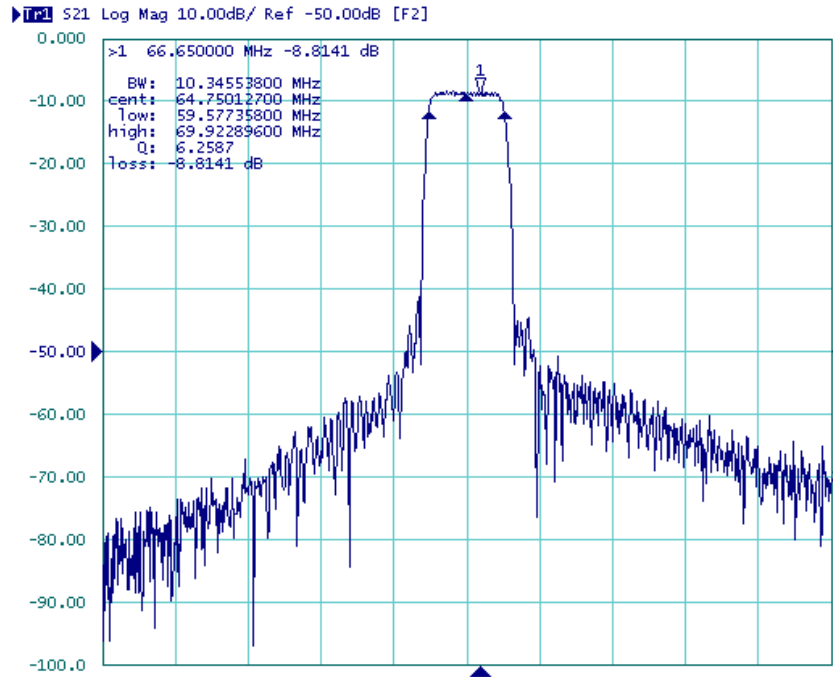


Fig.1. Horizontal: 100MHz / Div, Vertical: 10dB / Div

2. Pass band Ripple and Group Delay Ripple

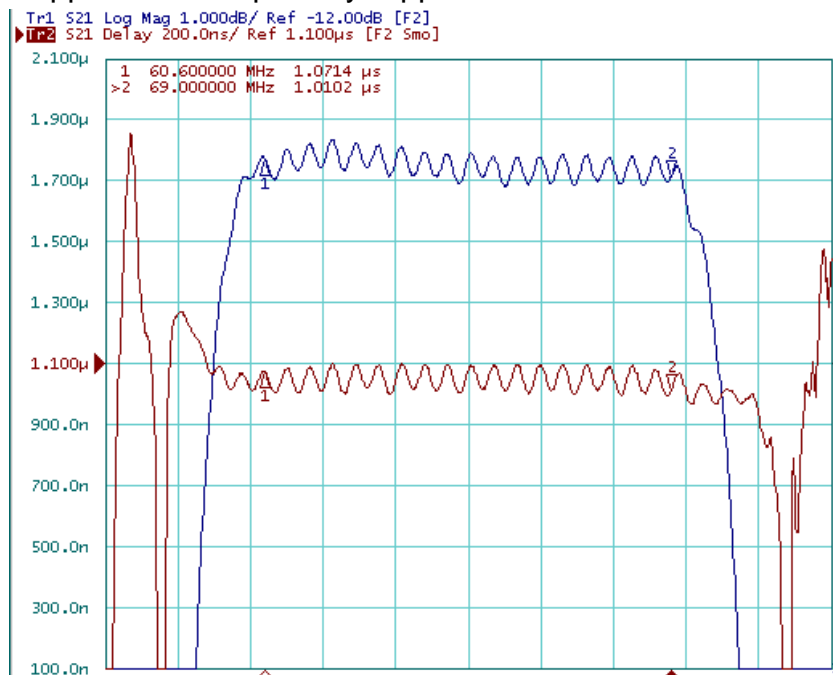


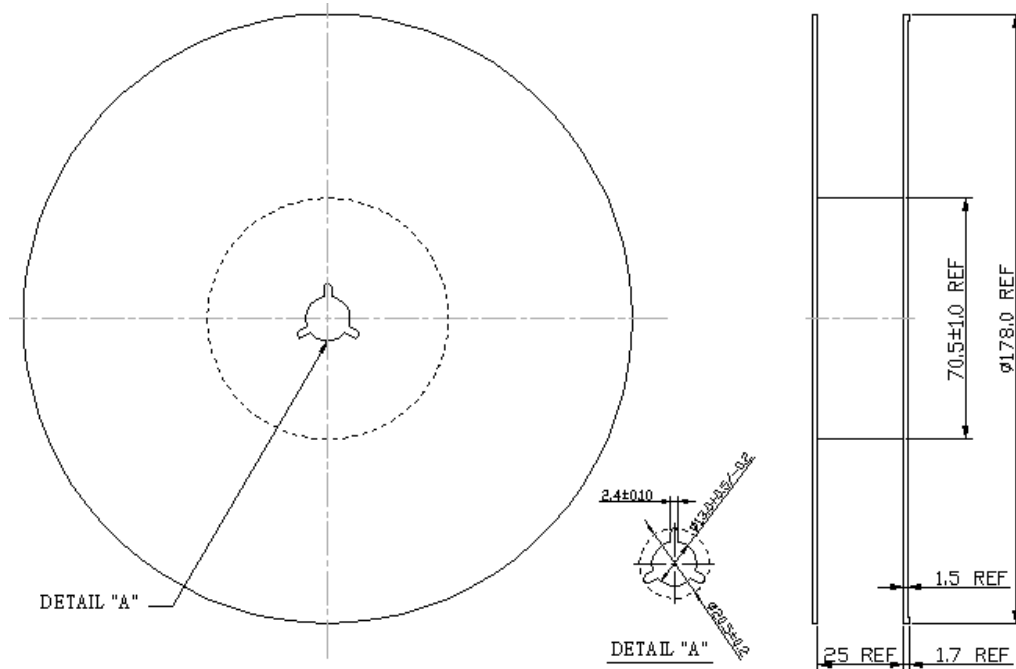
Fig. 2. Horizontal: 1.5MHz / Div, Vertical: 1dB / Div, Vertical: 200nS / Div

SAW Filter 64.80MHz
Part No: MP02669

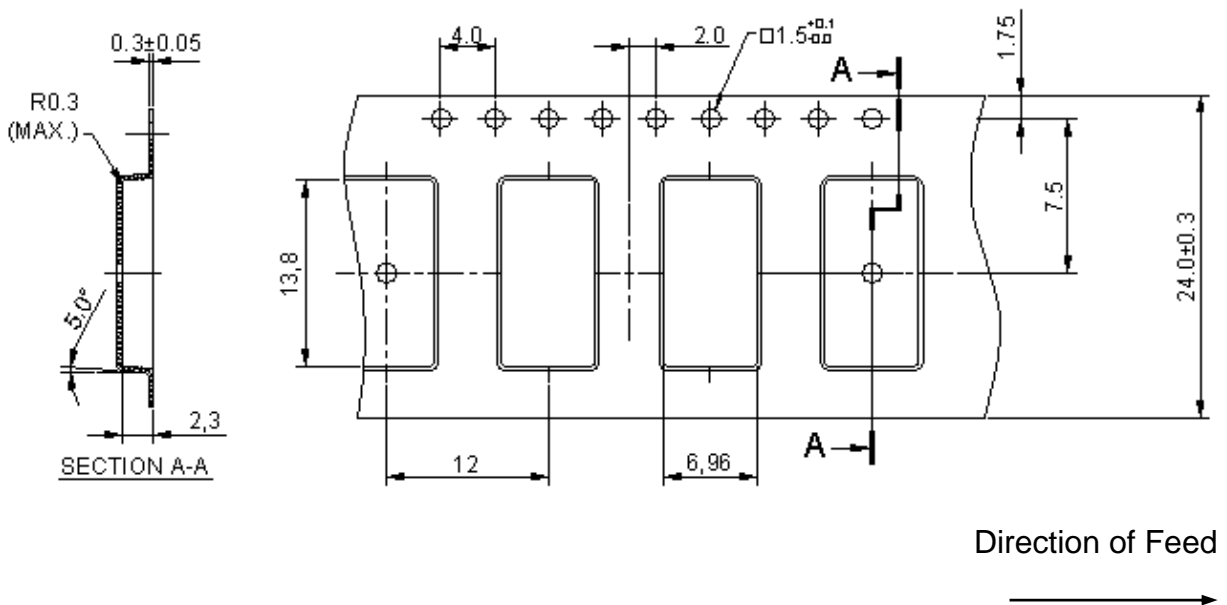
Model: TB0395A
Rev. No:3

G. PACKING:

1. Reel Dimension



2. Tape Dimension



SAW Filter 64.80MHz
Part No: MP02669

Model: TB0395A
Rev. No:3

H. RECOMMENDED REFLOW PROFILE:

