

SAW Resonator 304.30MHz

Model: TC0631A

Part No: MP07069

Rev No: 1

A. FEATURES:

Electrostatic Sensitive Device

One-Port Resonator

B. MAXIMUM RATING:

1. Input Power Level: 0 dBm
2. DC voltage: 5 V
3. Operating Temperature: -40°C to +85°C
4. Storage Temperature: -40°C to +85°C
5. Moisture Sensitive Level: Level 1 (MSL1)

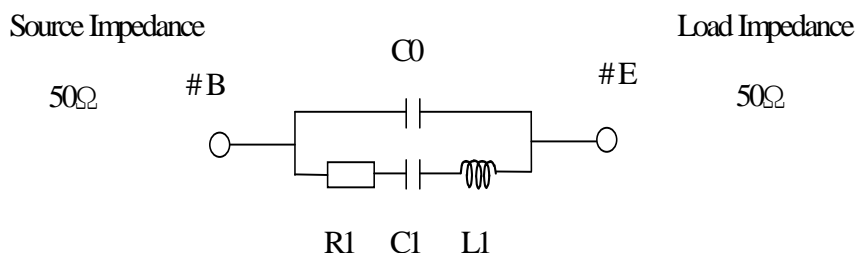
C. ELECTRICAL CHARACTERISTICS:

Reference Temperature $T_A = 25^\circ\text{C}$

Characteristic	Unit	Min	Typ	Max
Center frequency F_c	MHz	304.225	304.300	304.375
Insertion Loss IL	dB	-	1.48	1.80
Unload quality factor QU		10000	14000	-
Motional capacitance C1	fF	-	1.89	-
Motional inductance L1	μH	-	144	-
Motional resistance R1	Ohm	-	19	-
Parallel capacitance C_0	pF	-	3.62	-
Frequency Temperature coefficient (TCf)	ppm/c*2	-	0.032	-
Turnover T_0	deg. C	-5	10	25
Package size	SMD 3.0 X 3.0 X 1.4mm			

Temperature dependence of F_c : $F_c(T_A) = F_c(T_0) (1 + TC_f(T_A - T_0)^2)$

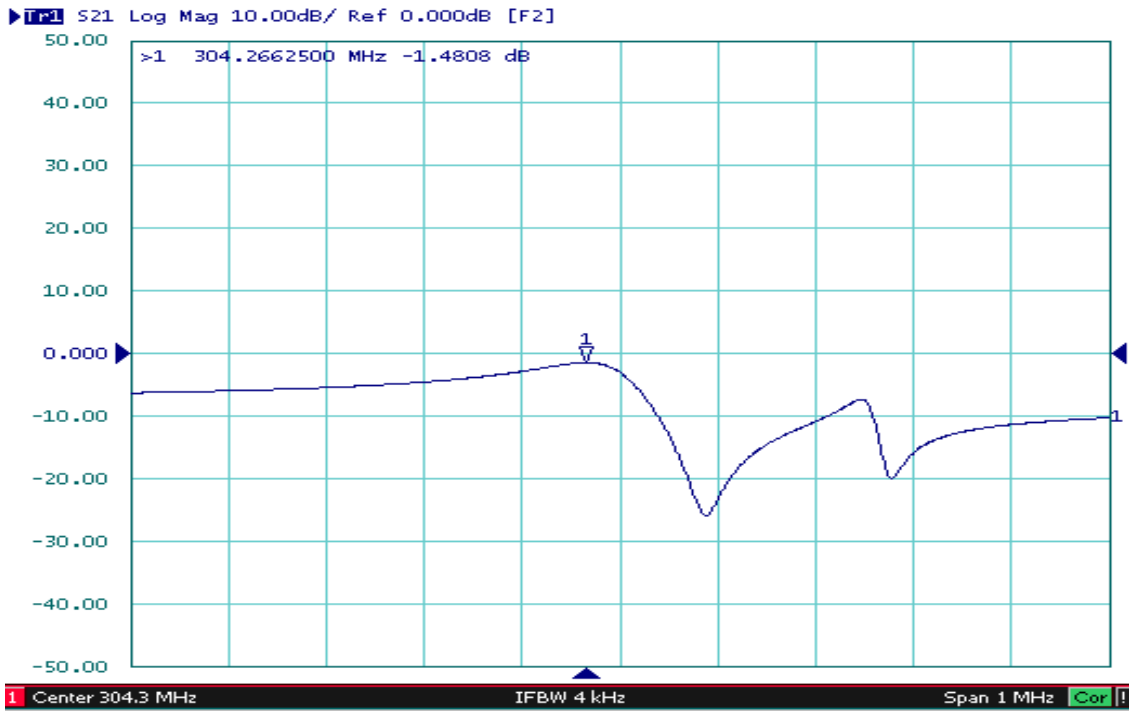
D. EQUIVALENT CIRCUIT:



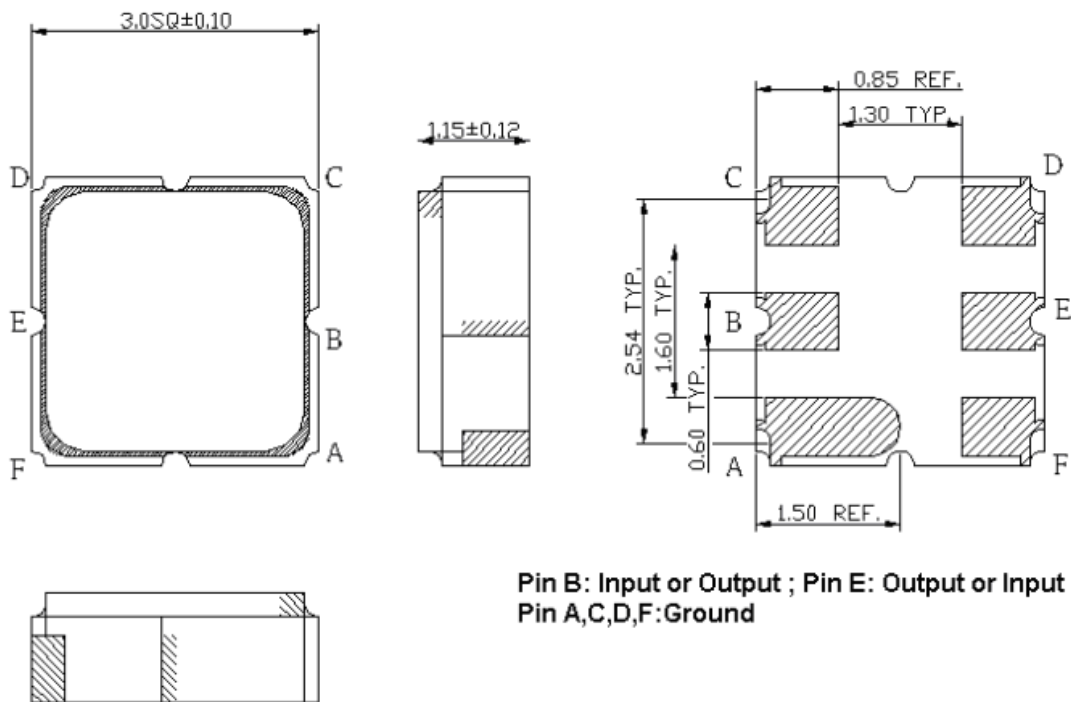
SAW Resonator 304.30MHz
Part No: MP07069

Model: TC0631A
Rev No: 1

E. FREQUENCY CHARACTERISTICS:



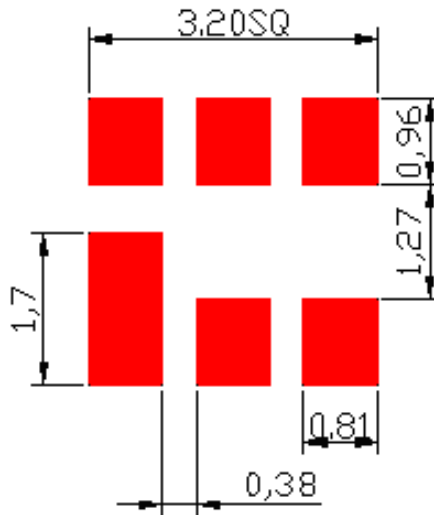
F. OUTLINE DRAWING:



SAW Resonator 304.30MHz
Part No: MP07069

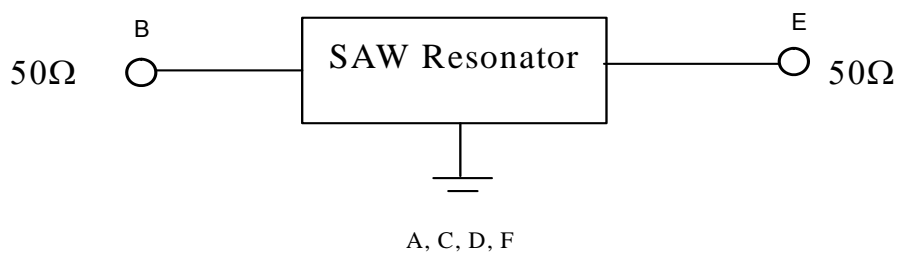
Model: TC0631A
Rev No: 1

G. PCB FOOT PRINT:



H. TEST CIRCUIT:

Network analyzer

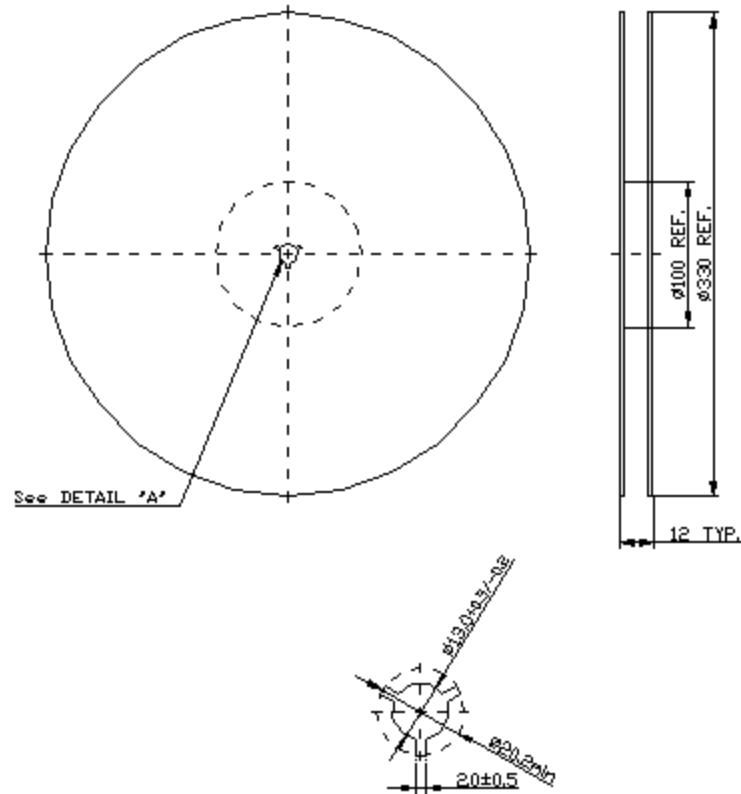


SAW Resonator 304.30MHz
Part No: MP07069

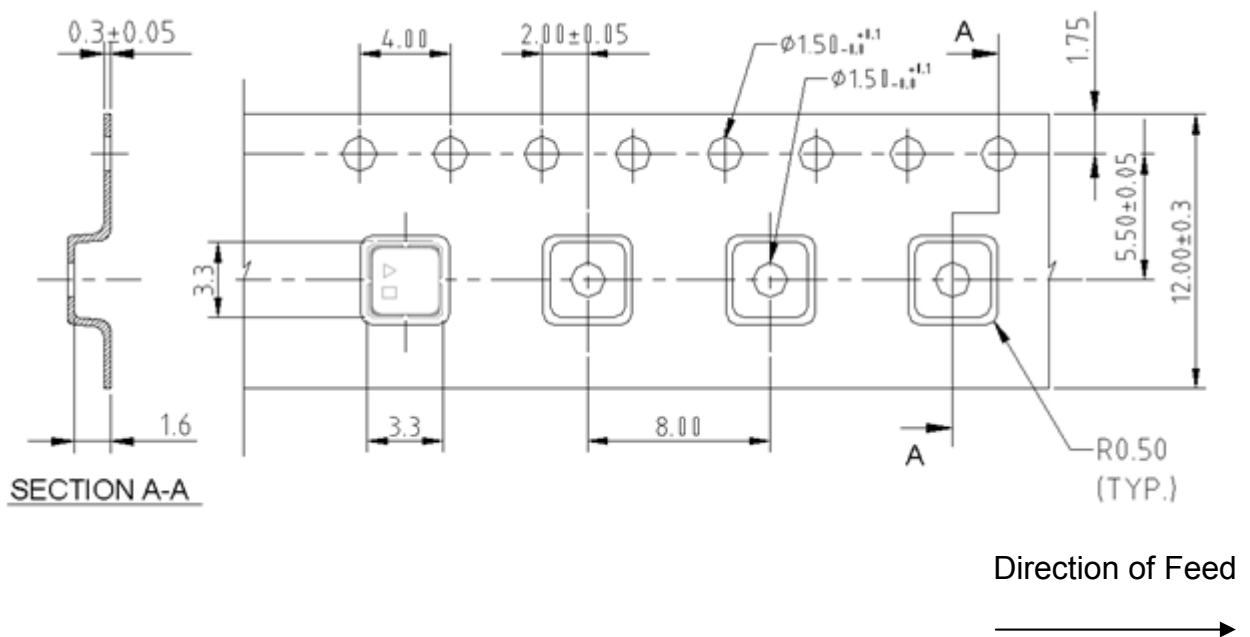
Model: TC0631A
Rev No: 1

I. PACKING:

1. Reel Dimension



2. Tape Dimension



SAW Resonator 304.30MHz
Part No: MP07069

Model: TC0631A
Rev No: 1

J. RECOMMENDED REFLOW PROFILE:

