

SAW Filter 1583.0MHz
Part No: MP06771

Model: TA1661A
Rev No: 4

A. MAXIMUM RATING:

Electrostatic Sensitive Device (ESD)

1. Input Power Level: 15dBm
2. DC Voltage: 0V
3. Operating Temperature: -40°C to +85°C
4. Storage Temperature: -40°C to +105°C
5. Moisture Sensitivity Level: Level 2a (MSL2a)
6. ESD 100V (MM) 250V(HBM) 1000V (CDM)

B. ELECTRICAL CHARACTERISTICS:

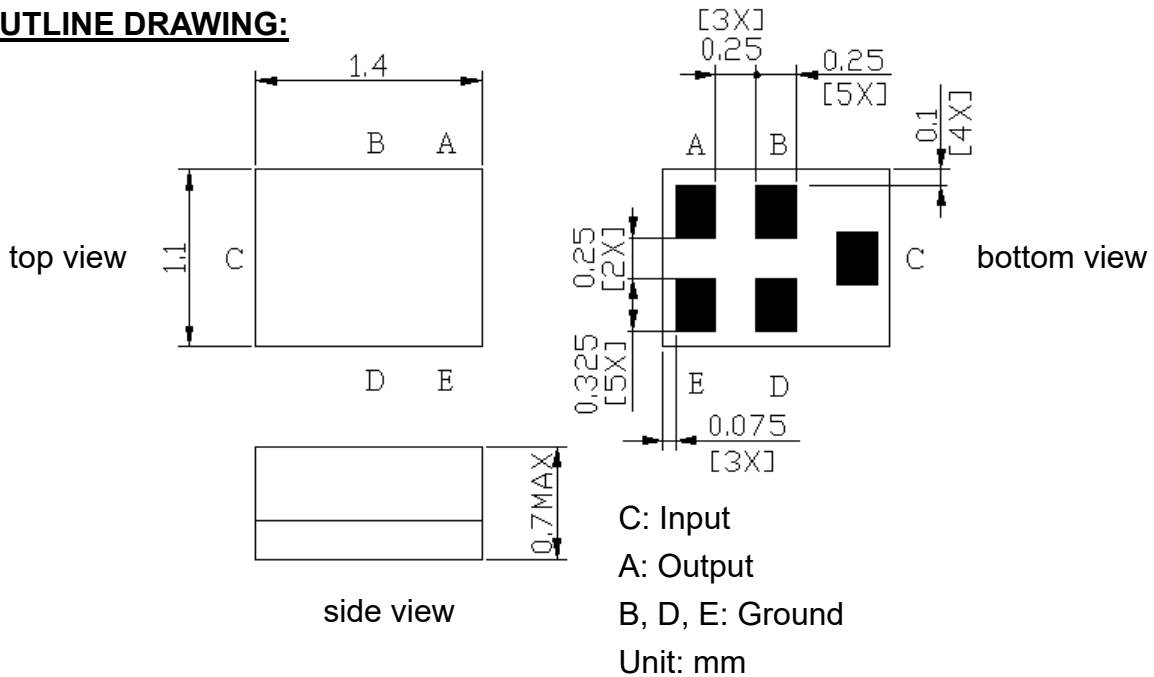
1. Terminating source impedance (single): $Z_S = 50\Omega$
2. Terminating load impedance (single): $Z_L = 50\Omega$

Item	Unit	25±2°C	Typ.	-40~+85°C
Center Frequency Fc	MHz	-	1583	-
Insertion Loss (1559.1~1563.1MHz) IL	dB	1.9max	1.8	2.1max
Insertion Loss (1573.42~1577.42MHz) IL	dB	1.5max	1.4	1.6max
Insertion Loss (1597.55~1605.89MHz) IL	dB	1.8max	1.7	2.1max
VSWR (1559.1~1563.1MHz)		1.5max	1.4	1.8max
VSWR (1573.42~1577.42MHz)		1.7max	1.6	2.0max
VSWR (1597.55~1605.89MHz)		1.7max	1.6	1.9max
Amplitude ripple				
1559.1~1563.1MHz	dB	0.6max	0.5	0.8max
1573.42~1577.42MHz	dB	0.3max	0.2	0.5max
1597.55~1605.89MHz	dB	0.5max	0.3	0.6max
Attenuation				
100 ~ 824MHz	dB	44min	46	40min
824 ~ 925MHz	dB	44min	46	40min
1427 ~ 1463MHz	dB	43min	45	40min
1710 ~ 1785MHz	dB	38min	40	36min
1850 ~ 1980MHz	dB	38min	40	36min
2400 ~ 2570MHz	dB	38min	40	36min
2570 ~ 3000MHz	dB	35min	40	33min
Package size	mm	1411		

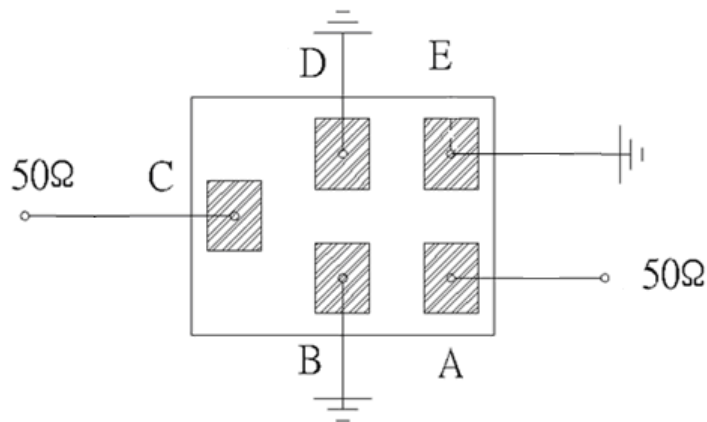
SAW Filter 1583.0MHz
Part No: MP06771

Model: TA1661A
Rev No: 4

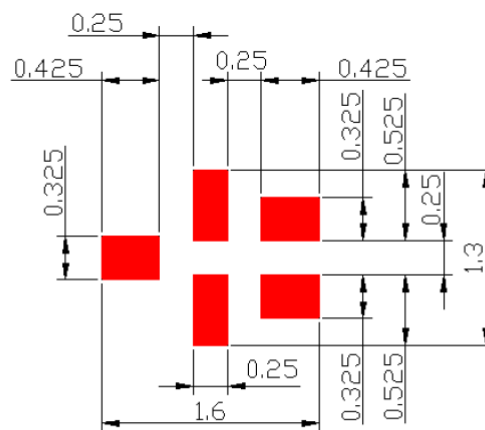
C. OUTLINE DRAWING:



D. MEASUREMENT CIRCUIT:



E. PCB FOOTPRINT:



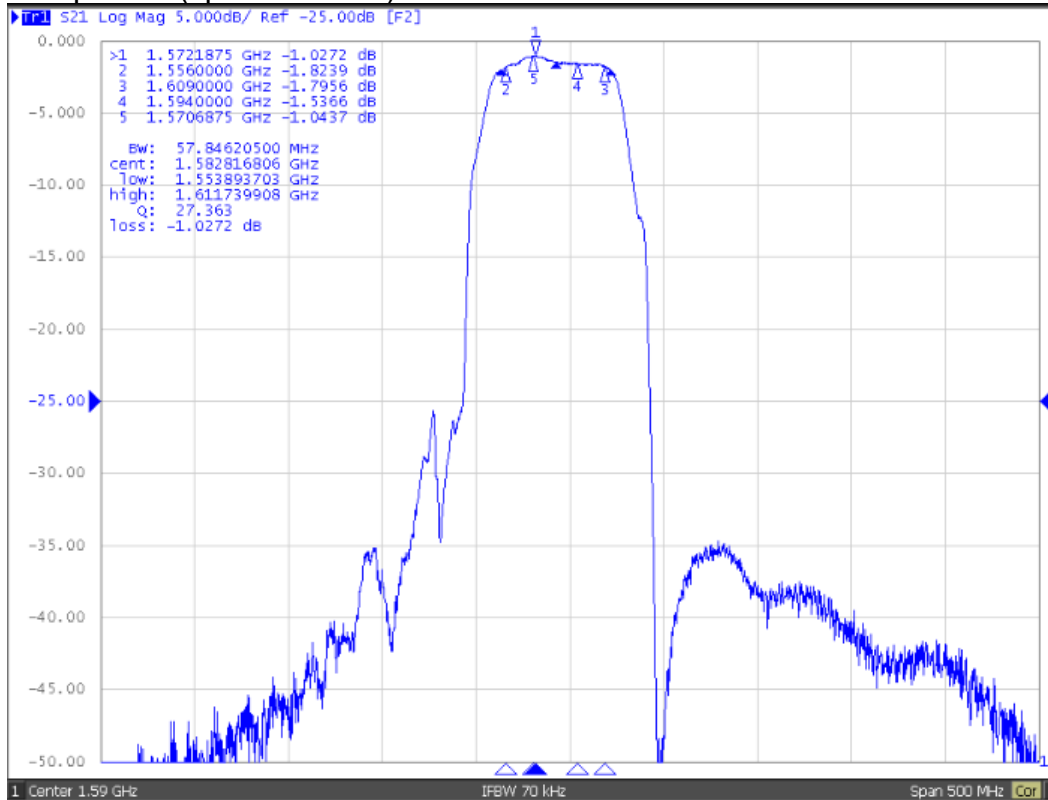
■ : Land Pattern

SAW Filter 1583.0MHz
Part No: MP06771

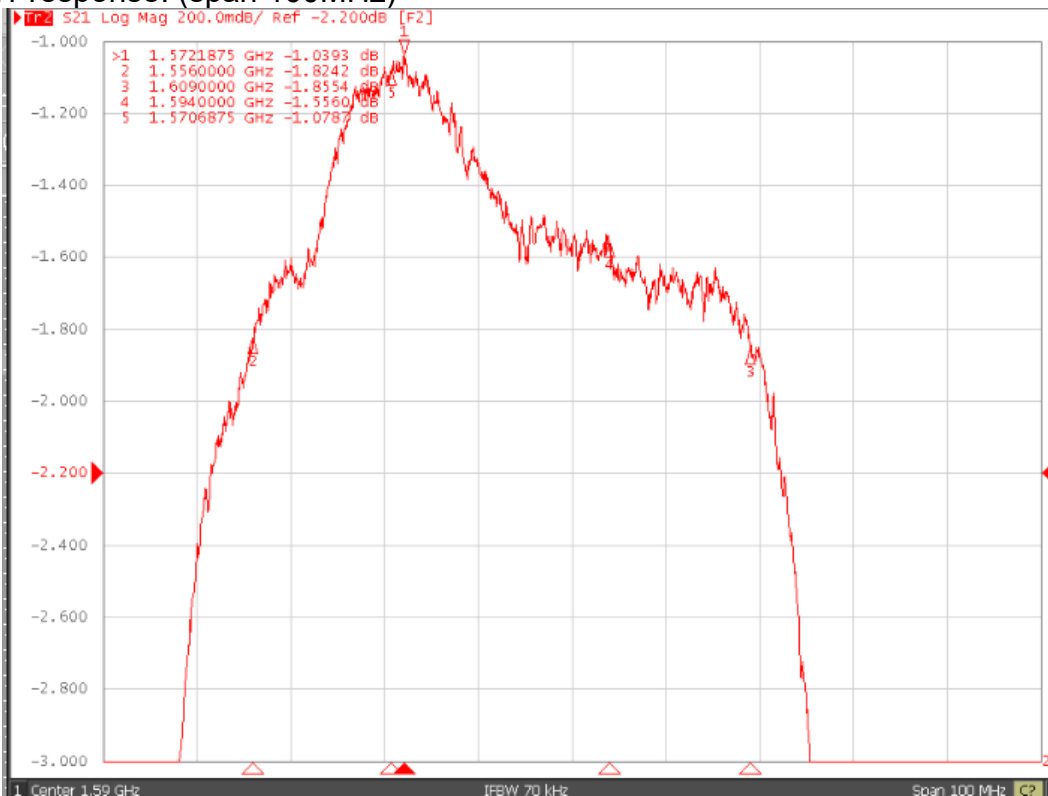
Model: TA1661A
Rev No: 4

F. FREQUENCY CHARACTERISTICS:

1. S21 response: (span 500MHz)



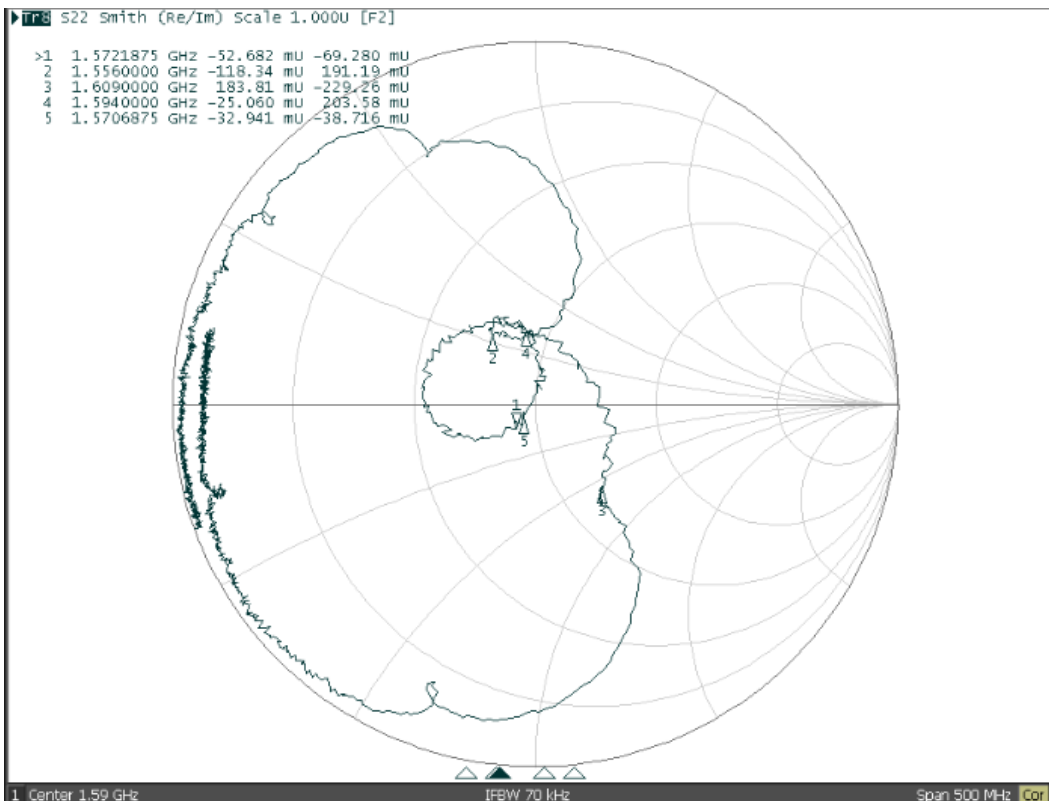
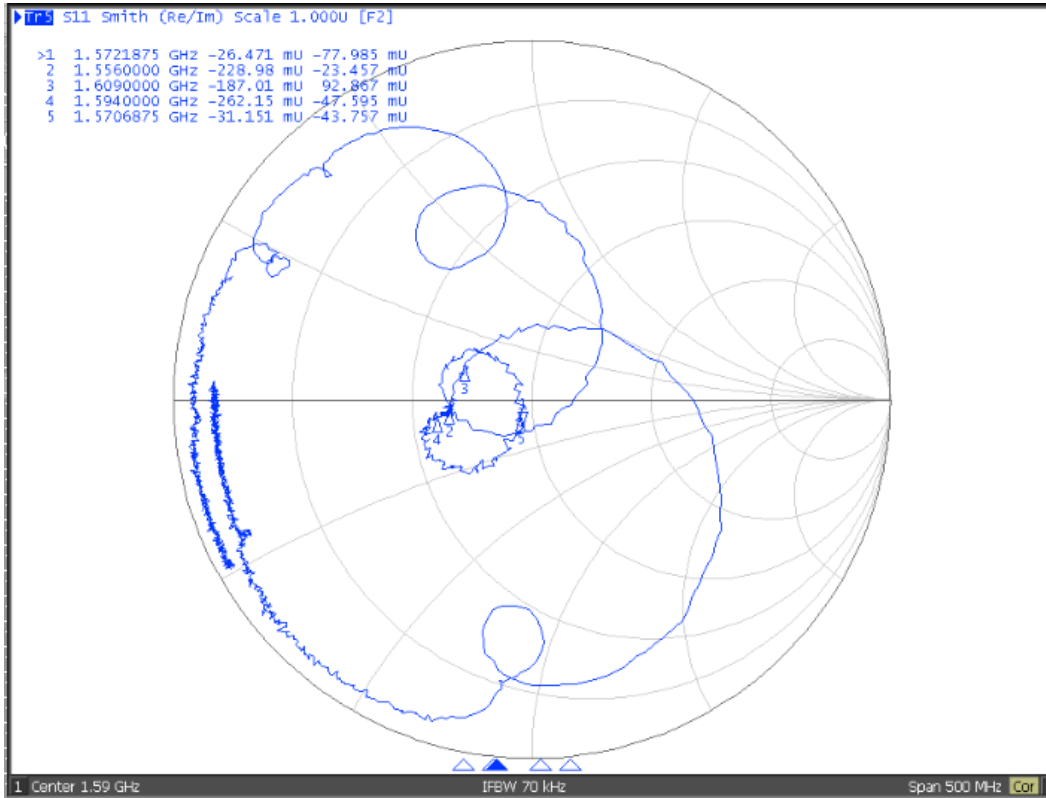
2. S21 response: (span 100MHz)



SAW Filter 1583.0MHz
Part No: MP06771

Model: TA1661A
Rev No: 4

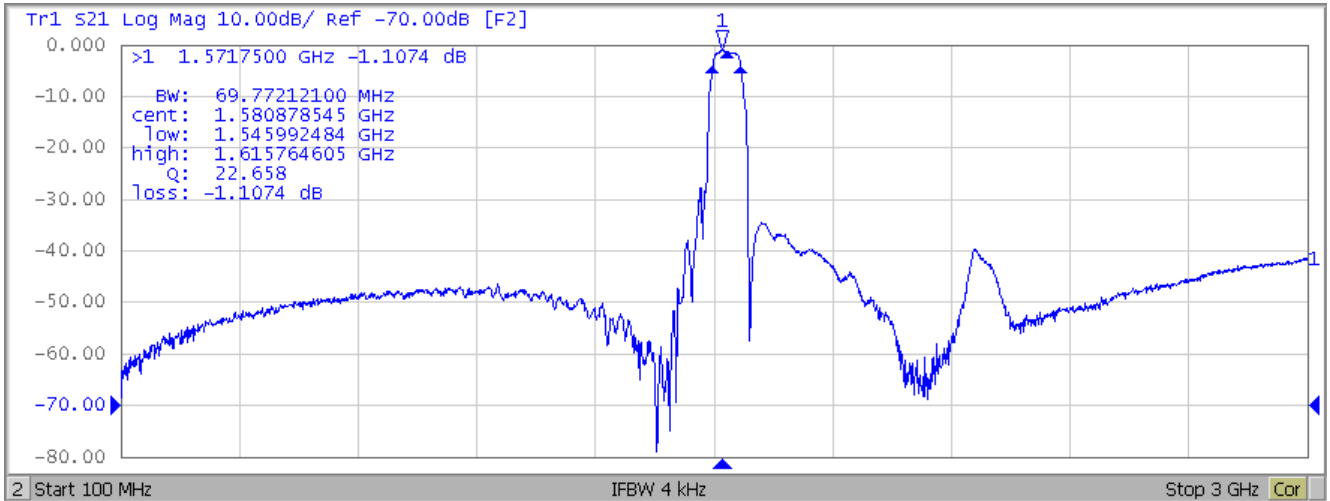
3. S11/S22 response:



SAW Filter 1583.0MHz
Part No: MP06771

Model: TA1661A
Rev No: 4

4. S21 response: (span 3GHz)

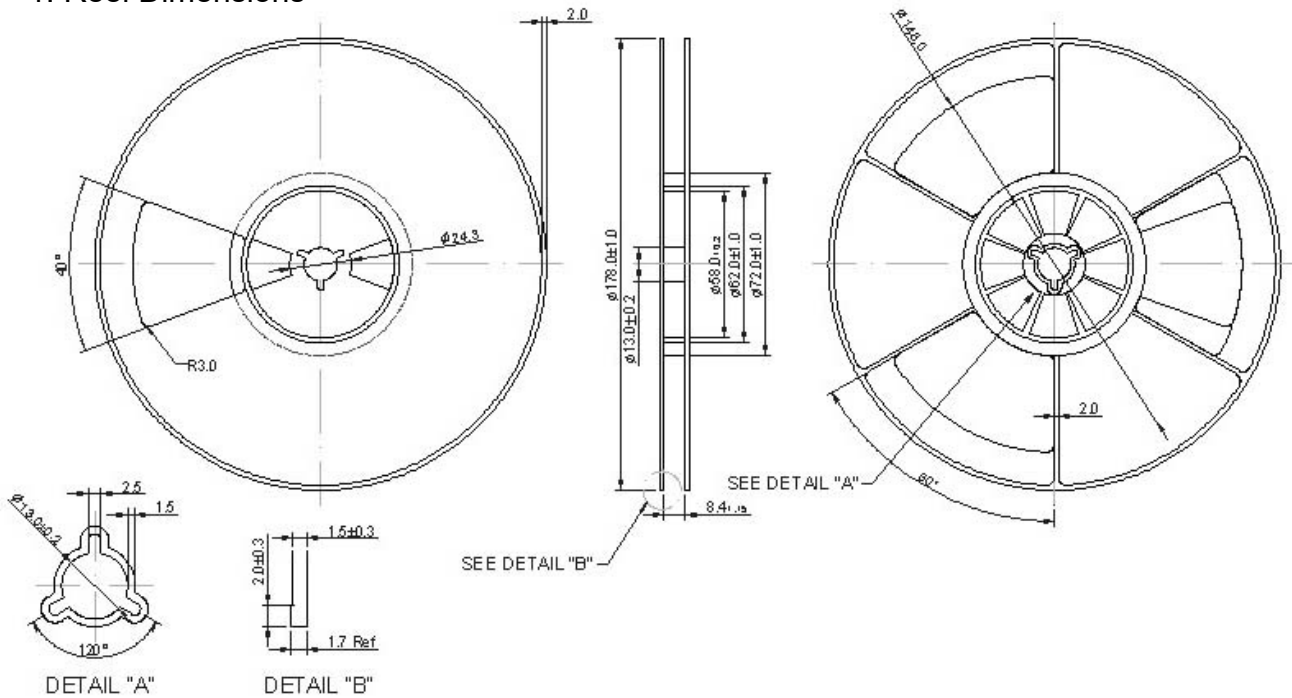


SAW Filter 1583.0MHz
Part No: MP06771

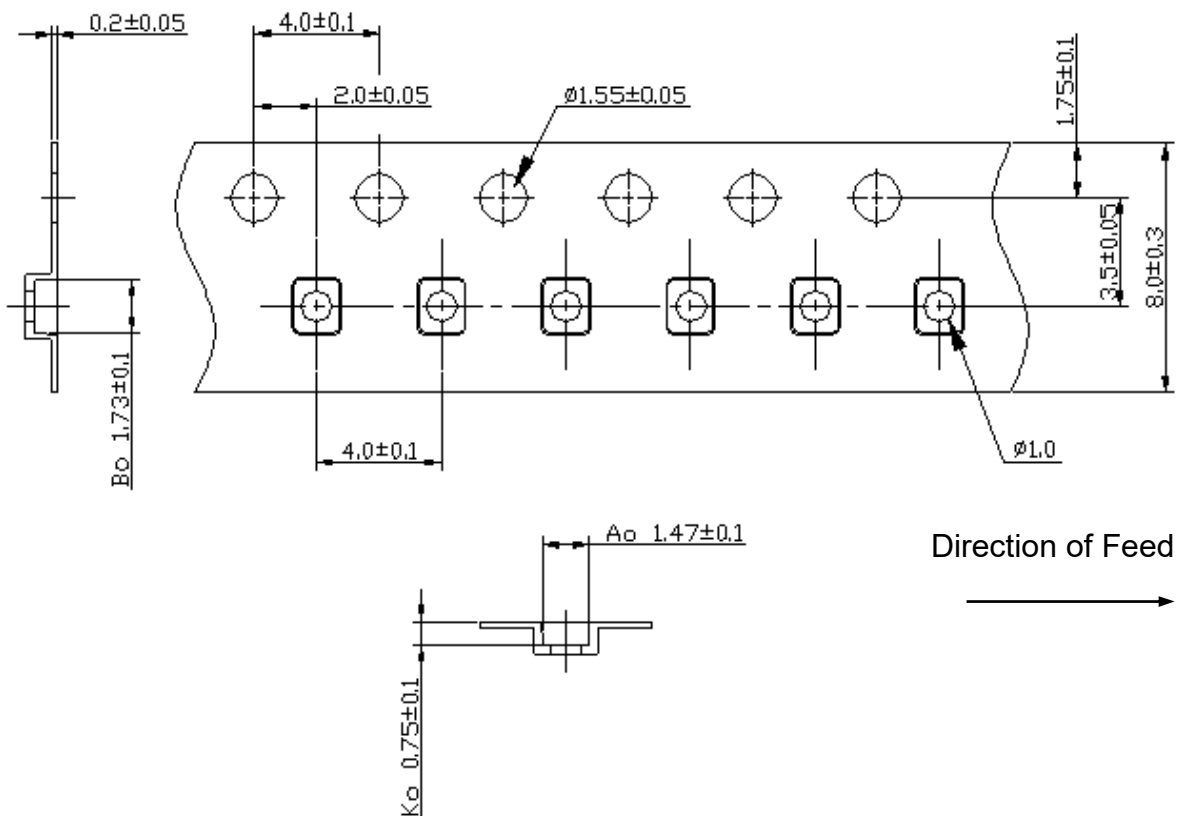
Model: TA1661A
Rev No: 4

G. PACKING:

1. Reel Dimensions



2. Tape Dimensions



SAW Filter 1583.0MHz
Part No: MP06771

Model: TA1661A
Rev No: 4

H. RECOMMENDED REFLOW PROFILE:

1. Preheating shall be fixed at 150 ~ 180°C for 60 ~ 90 seconds.
2. Ascending time to preheating temperature 150°C shall be 30 seconds min.
3. Heating shall be fixed at 220°C for 50 ~ 80 seconds and at 260°C +0/-5°C peak (20 ~ 40 sec).
4. Time: 2 times.

