

SAW Filter 1583.0MHz

Model: TA1661B

Part No: MP06782 AEC-Q200 compliant

Rev No: 2

A. MAXIMUM RATING:

Electrostatic Sensitive Device (ESD)

1. Input Power Level: 15dBm
2. DC Voltage: 0V
3. Operating Temperature: -40°C to +125°C
4. Storage Temperature: -40°C to +125°C
5. Moisture Sensitive Level (MSL): Level 3

B. ELECTRICAL CHARACTERISTICS:

1. Terminating source impedance (single): $Z_s = 50\Omega$
2. Terminating load impedance (single): $Z_L = 50\Omega$

Item	Unit	25±2°C	Typ.	-40~+85°C	-40~+125°C
Center Frequency Fc	MHz	-	1583	-	
Insertion Loss (1559.1~1563.1MHz) IL	dB	1.9max	1.8	2.1max	2.5max
Insertion Loss (1573.42~1577.42MHz) IL	dB	1.5max	1.4	1.6max	2.0max
Insertion Loss (1597.55~1605.89MHz) IL	dB	1.8max	1.7	2.1max	3.0max
VSWR (1559.1~1563.1MHz)		1.5max	1.4	1.8max	2.3max
VSWR (1573.42~1577.42MHz)		1.7max	1.6	2.0max	2.0max
VSWR (1597.55~1605.89MHz)		1.7max	1.6	1.9max	2.4max
Amplitude ripple					
1559.1~1563.1MHz	dB	0.6max	0.5	0.8max	1.0max
1573.42~1577.42MHz	dB	0.3max	0.2	0.5max	1.0max
1597.55~1605.89MHz	dB	0.5max	0.3	0.6max	1.5max
Attenuation					
100~824MHz	dB	44min	46	40min	40min
824~925MHz	dB	44min	46	40min	40min
1427~1463MHz	dB	43min	45	40min	40min
1710~1785MHz	dB	38min	40	36min	36min
1850~1980MHz	dB	38min	40	36min	36min
2400~2570MHz	dB	38min	40	36min	36min
2570~3000MHz	dB	35min	40	33min	33min
Package size	mm	1411			

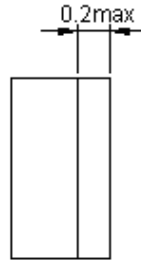
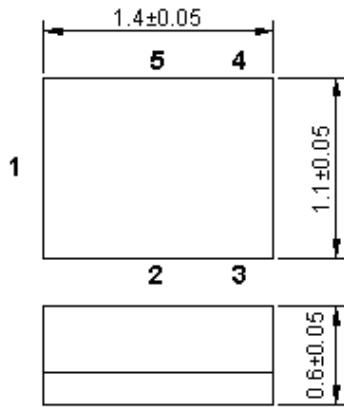
SAW Filter 1583.0MHz

Model: TA1661B

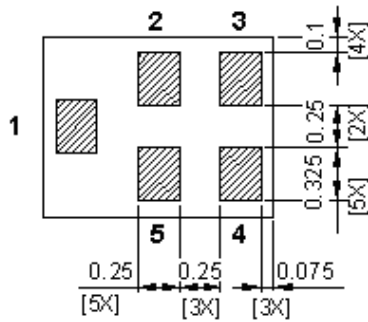
Part No: MP06782 AEC-Q200 compliant

Rev No: 2

C. OUTLINE DRAWING:

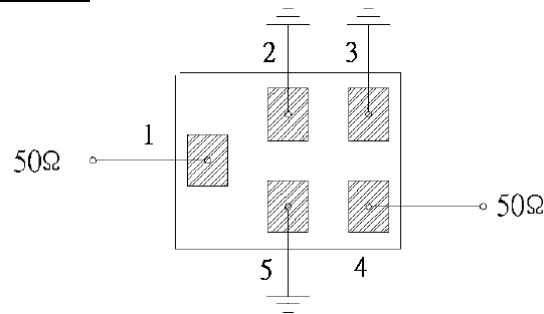


All tolerances are +/-0.05 mm unless otherwise specified
 Coplanarity : 0.1 mm max.
 1 to 5 : Pin No.
 Unit : mm

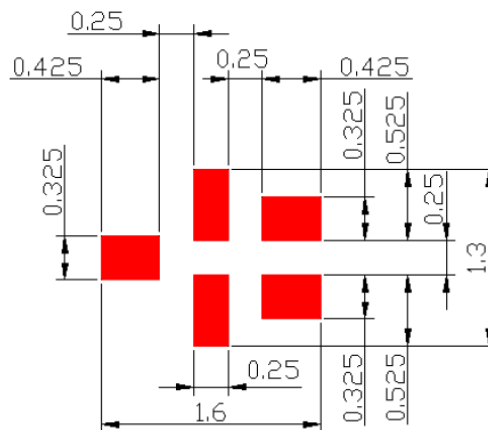


Pin No.↕	Symbol↕	Function↕
1↕	IN↕	Input↕
2↕	GND↕	Ground↕
3↕	GND↕	Ground↕
4↕	OUT↕	Output↕
5↕	GND↕	Ground↕

D. MEASUREMENT CIRCUIT:



E. PCB FOOTPRINT:



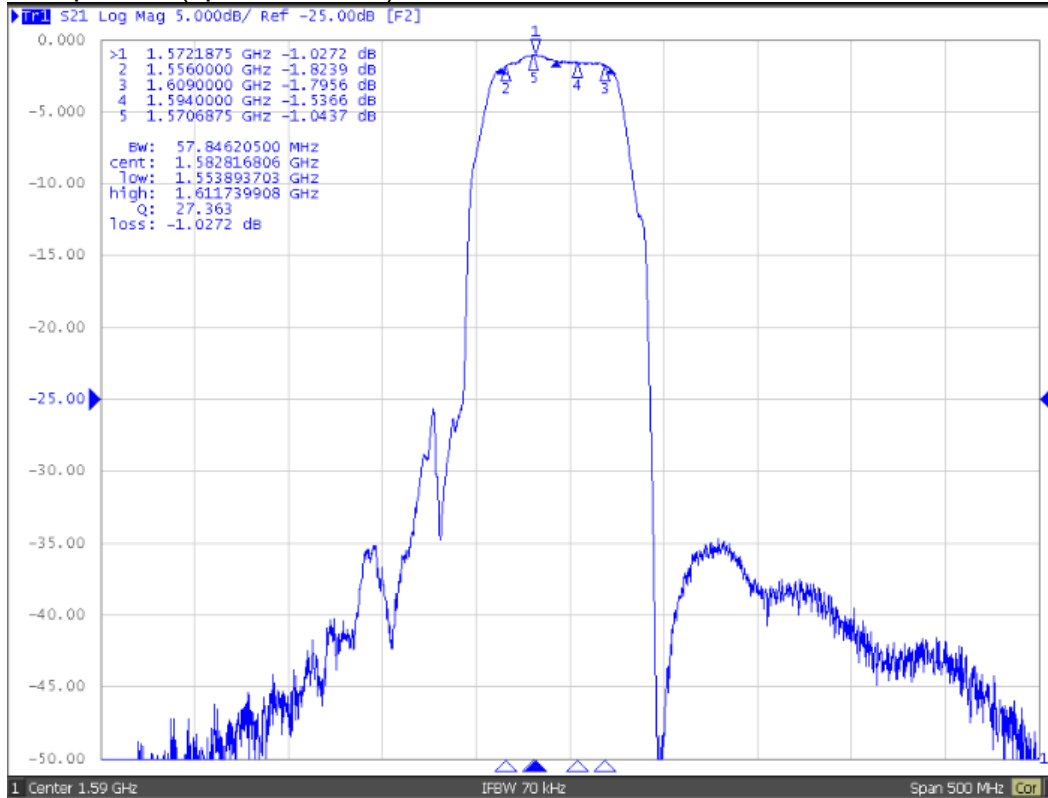
: Land Pattern

SAW Filter 1583.0MHz
Part No: MP06782 AEC-Q200 compliant

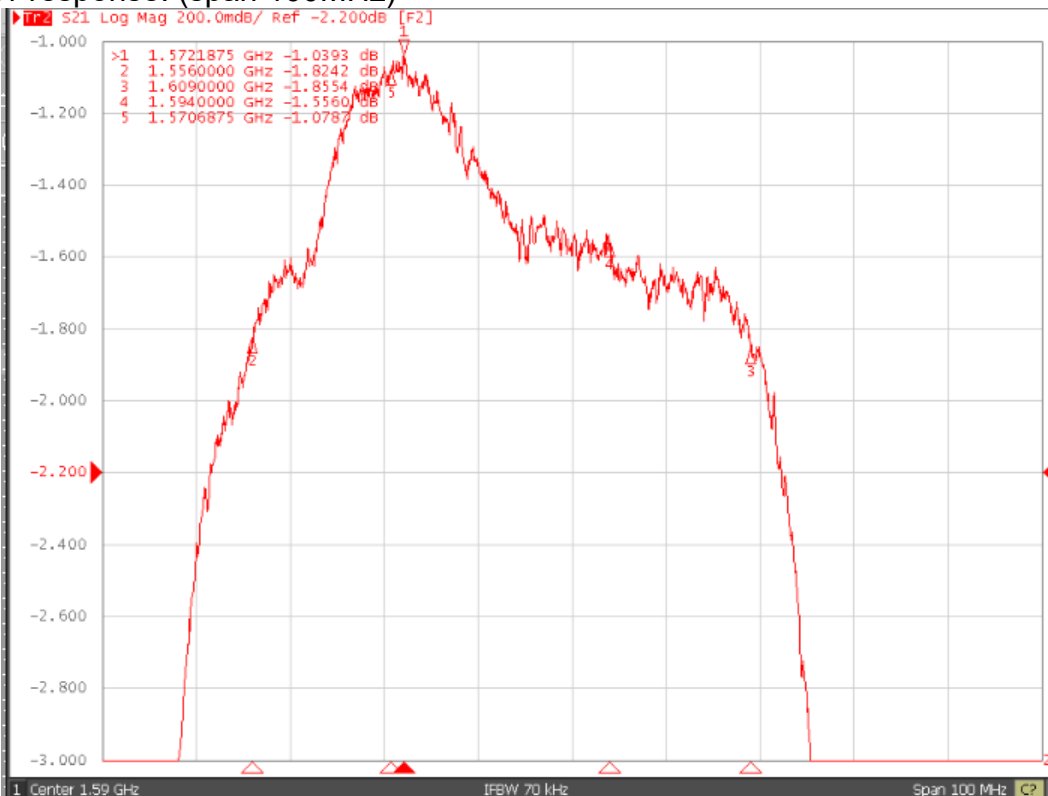
Model: TA1661B
Rev No: 2

F. FREQUENCY CHARACTERISTICS:

1. S21 response: (span 500MHz)



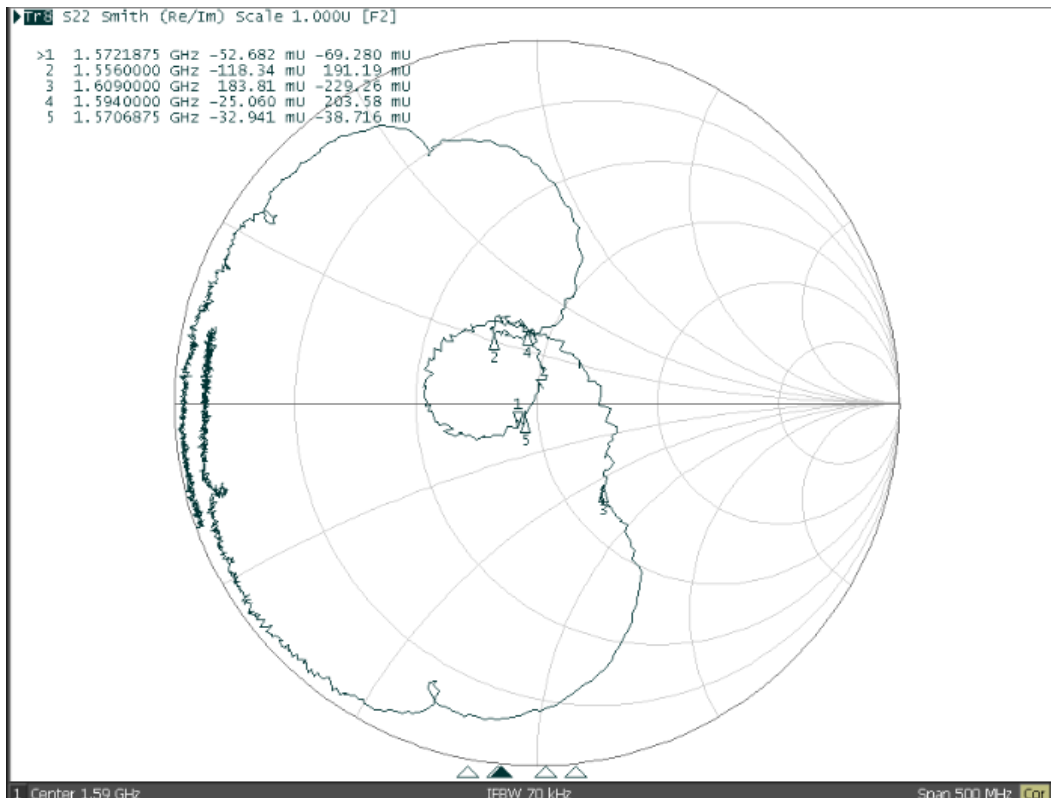
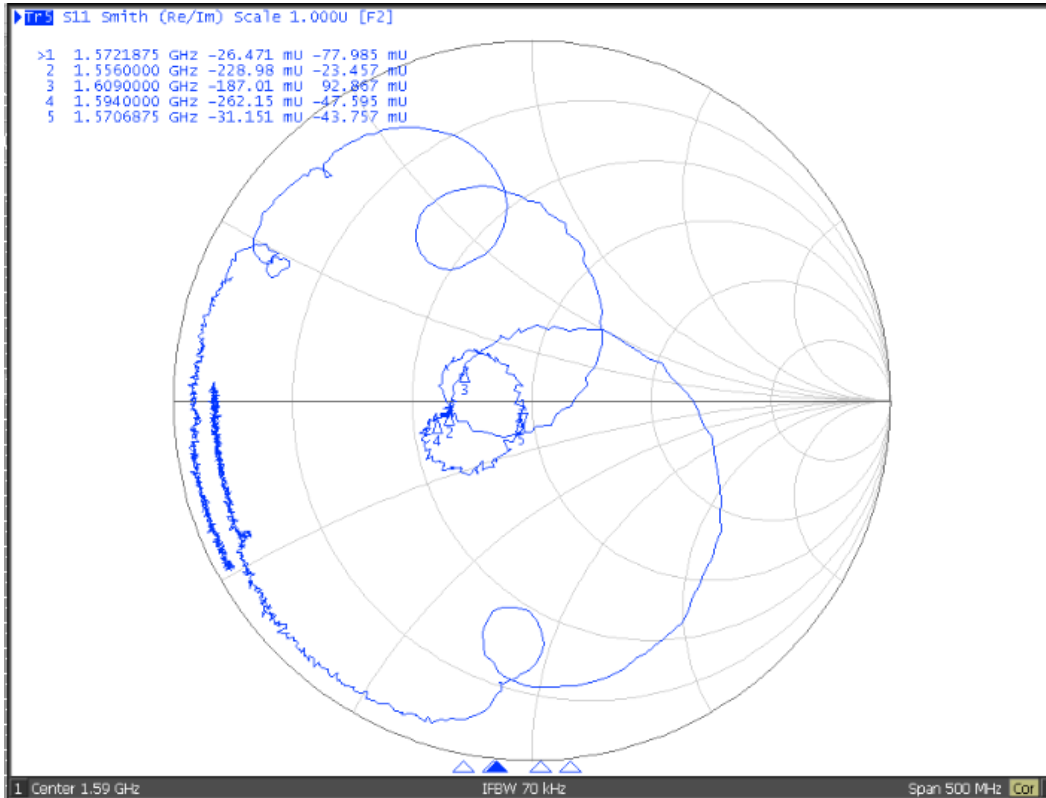
2. S21 response: (span 100MHz)



SAW Filter 1583.0MHz
Part No: MP06782 AEC-Q200 compliant

Model: TA1661B
Rev No: 2

3. S11/S22 response:



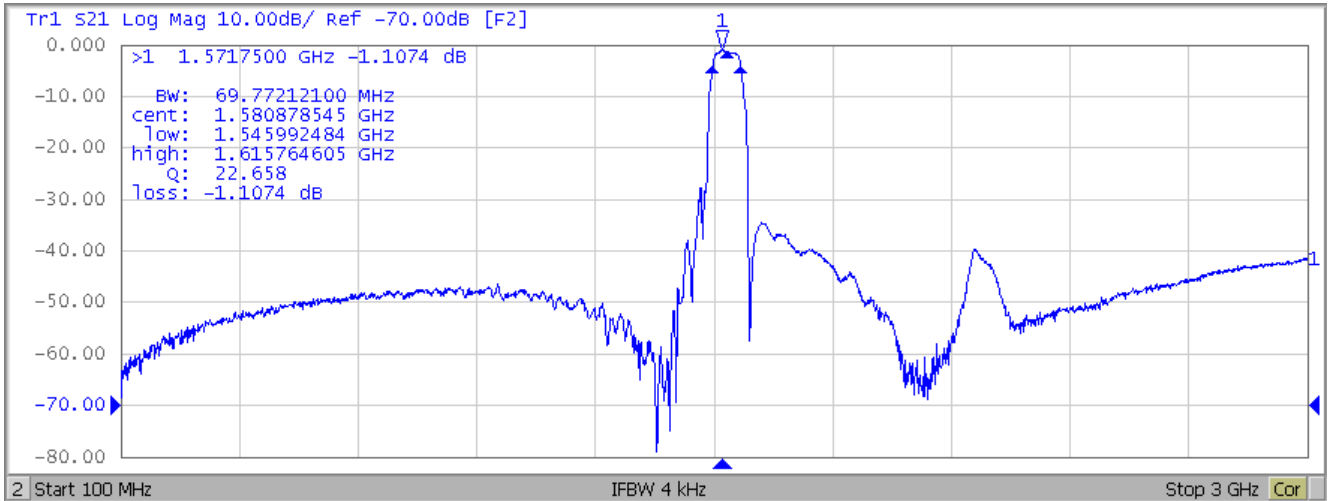
SAW Filter 1583.0MHz

Model: TA1661B

Part No: MP06782 AEC-Q200 compliant

Rev No: 2

4. S21 response: (span 3GHz)

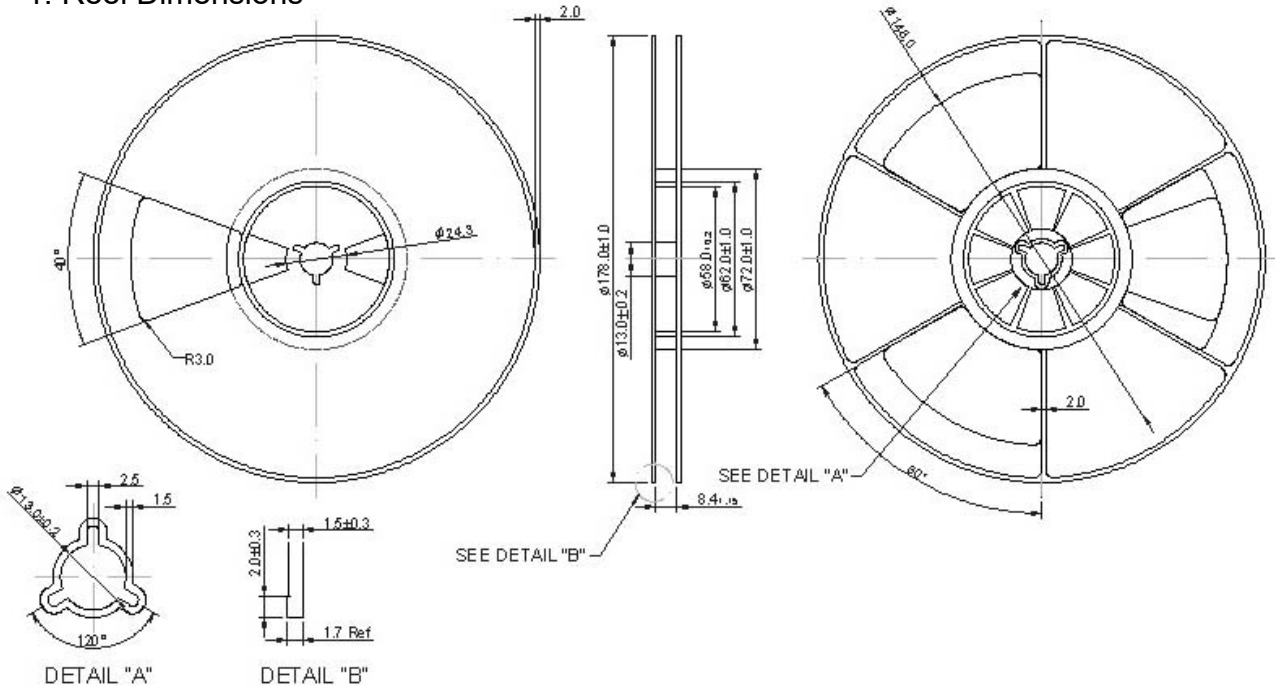


SAW Filter 1583.0MHz
Part No: MP06782 AEC-Q200 compliant

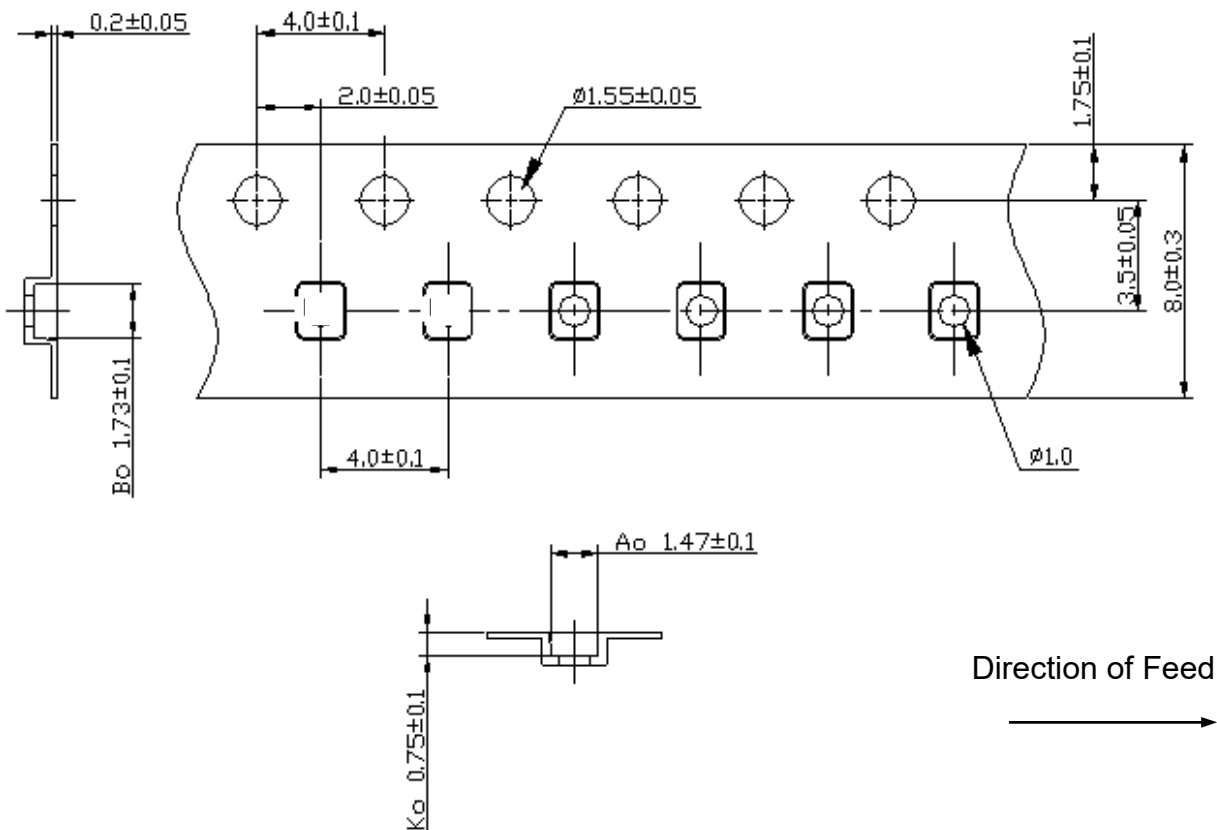
Model: TA1661B
Rev No: 2

G. PACKING:

1. Reel Dimensions



2. Tape Dimensions



SAW Filter 1583.0MHz

Model: TA1661B

Part No: MP06782 AEC-Q200 compliant

Rev No: 2

H. RECOMMENDED REFLOW PROFILE:

1. Preheating shall be fixed at 150 ~ 180°C for 60 ~ 90 seconds.
2. Ascending time to preheating temperature 150°C shall be 30 seconds min.
3. Heating shall be fixed at 220°C for 50 ~ 80 seconds and at 260°C +0/-5°C peak (20 ~ 40 sec).
4. Time: 2 times.

