

**SAW Filter 140.0MHz**  
**Part No: MA08555**

**Model: TB0320A**  
**Rev No: 2**

**A. MAXIMUM RATING:**

1. Input Power Level: 10dBm
2. Operating Temperature: -40°C to 85°C
3. Storage Temperature: -40°C to 85°C

**B. ELECTRICAL CHARACTERISTICS:**

Ambient Temperature: 25°C

Item	Unit	Min.	Typ.	Max.
Central Frequency (Fo)	MHz	-	140	-
Insertion Loss	dB	-	10.5	12.5
1dB Bandwidth	MHz	5.8	6.7	-
3dB Bandwidth	MHz	6.0	7.5	-
40 dB Bandwidth	MHz	-	10.8	11.5
Passband Ripple (Fc)	P-P dB	-	0.6	1.0
Group delay Ripple	Nsec	-	52	70
Ultimate Rejection				
DC ~ 125MHz	dBc	40	55	-
155 ~ 200MHz	dBc	40	49	-
In/Out Impedance	Ohm	-	50	-
Temp Coefficient	ppm/°C		-18	

**SAW Filter 140.0MHz**  
**Part No: MA08555**

**Model: TB0320A**  
**Rev No: 2**

**C. FREQUENCY CHARACTERISTICS:**

1. Wide band of response: (span: 60MHz)

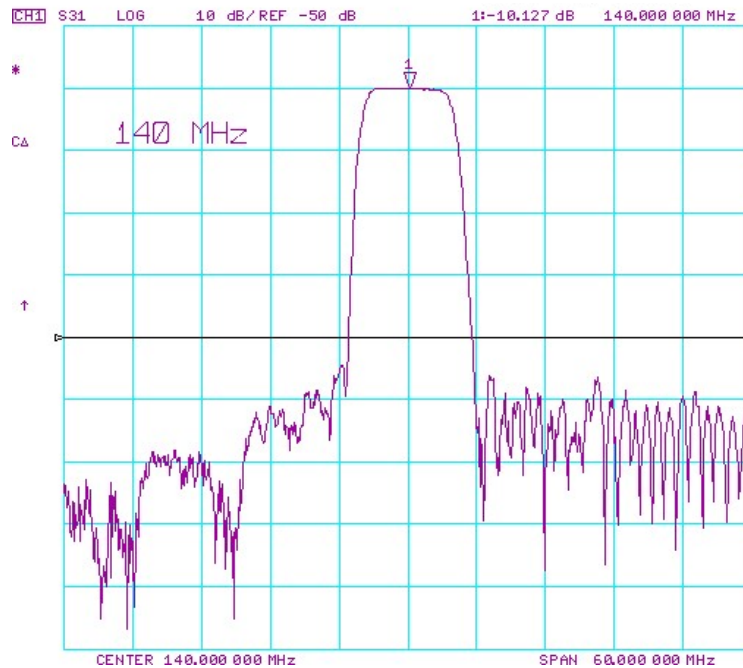


Fig.1 S21 Response Horizontal: 6MHz / Div, Vertical: 10dB / Div

2. Passband of response: (span: 10MHz)

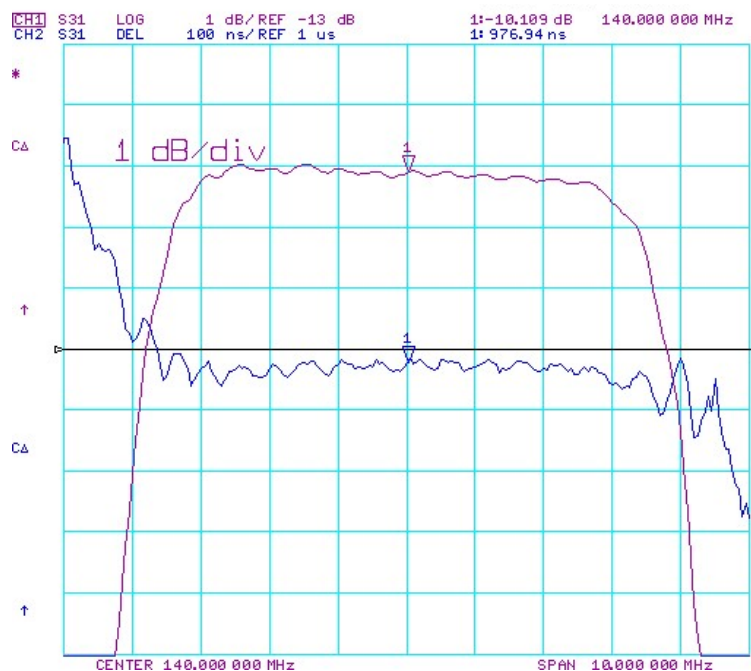


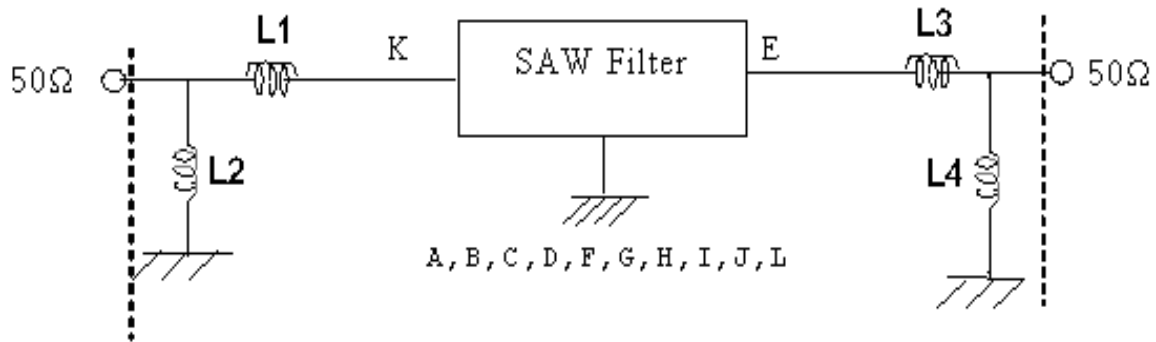
Fig. 2 S21 Response Horizontal: 1MHz / Div, Vertical: 1dB / Div

**SAW Filter 140.0MHz**  
**Part No: MA08555**

**Model: TB0320A**  
**Rev No: 2**

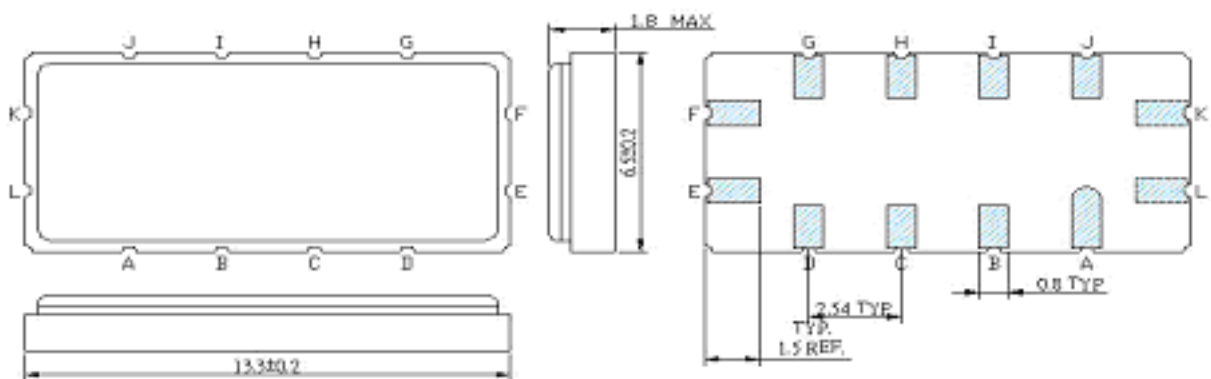
**D. TEST CIRCUIT:**

Network analyzer



Input: L1 = 33nH; L2 = 22nH  
 Output: L3 = 22nH; L4 = 27nH

**E. OUTLINE DRAWING:**



Unit: mm

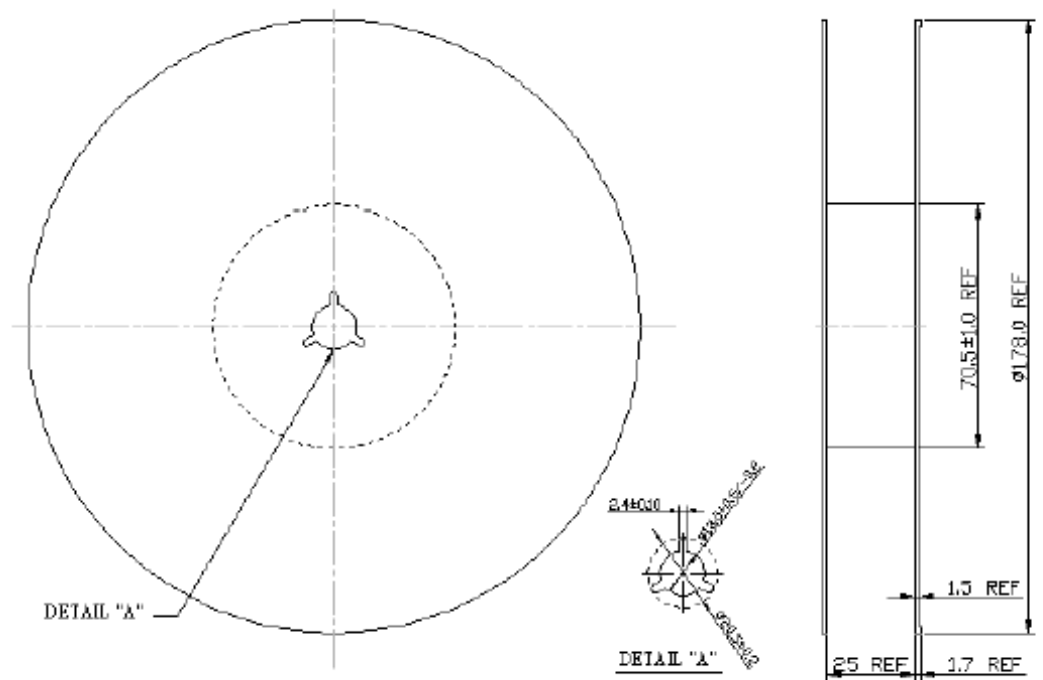
K: RF input+  
 L: RF input-  
 E: RF output+  
 F: RF output-  
 Unit: mm

**SAW Filter 140.0MHz**  
**Part No: MA08555**

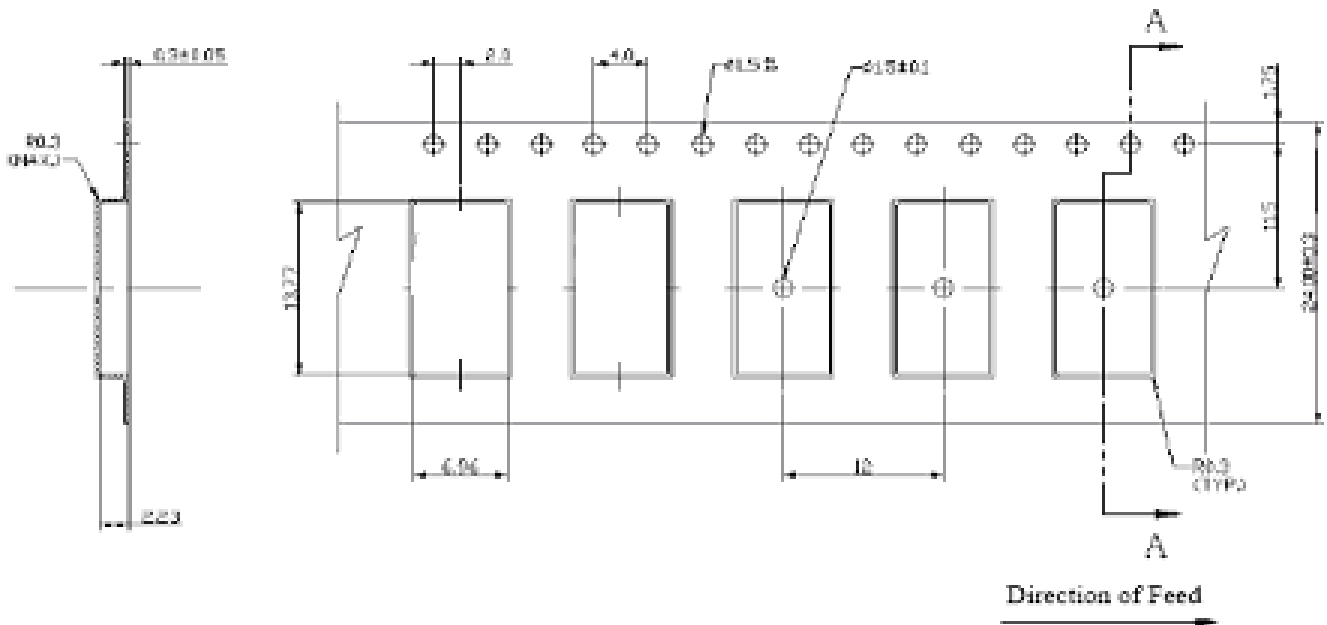
**Model: TB0320A**  
**Rev No: 2**

**F. PACKING:**

1. Reel Dimension



2. Tape Dimension



**SAW Filter 140.0MHz**  
**Part No: MA08555**

**Model: TB0320A**  
**Rev No: 2**

**G. RECOMMENDED REFLOW PROFILE:**

