

IF SAW Filter 140.0MHz
Part No: MA09267

Model: TB0439A
Rev No: 3

A. MAXIMUM RATING:

Electrostatic Sensitive Device

1. Operating Temperature: -5°C ~ +85°C
2. Storage Temperature: -55°C ~ +80°C
3. Input Power Level: 10dBm
4. Maximum DC Voltage: 0V
5. Moisture Sensitivity Level: Level 1 (MSL1)

B. CHARACTERISTICS:

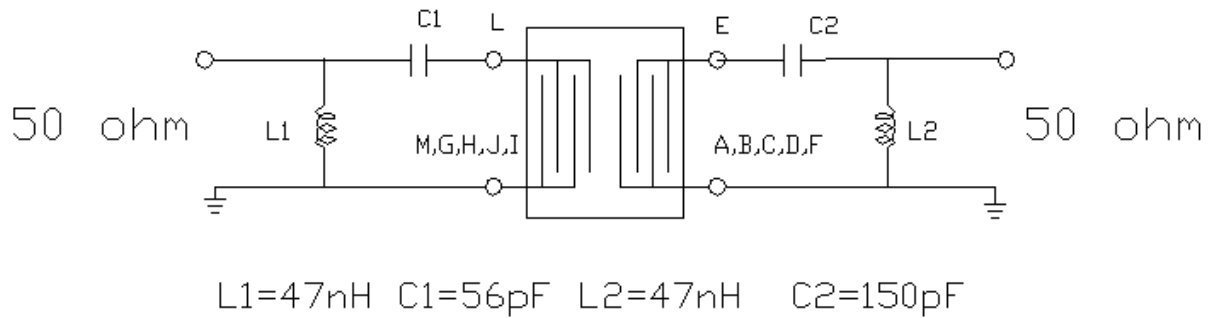
1. Ambient Temperature: 25°C

Characteristics	Min.	Typ.	Max.
Center frequency F_c MHz	-	140.0	-
Maximum Insertion loss I.L. dB	-	9.20	10.75
1dB Bandwidth MHz	12.0	15.1	-
3dB Bandwidth MHz	15.0	17.6	-
40dB Bandwidth MHz	-	26.7	40.0
Passband Ripple ($F_c \pm 6$ MHz) MHz	-	0.6	1.0
Phase Delay ($F_c \pm 6$ MHz) deg	-	4.3	-
Group Delay Ripple ($F_c \pm 6$ MHz) nS	-	75	180
Temp Coefficient ppm/°C	-	-94	-

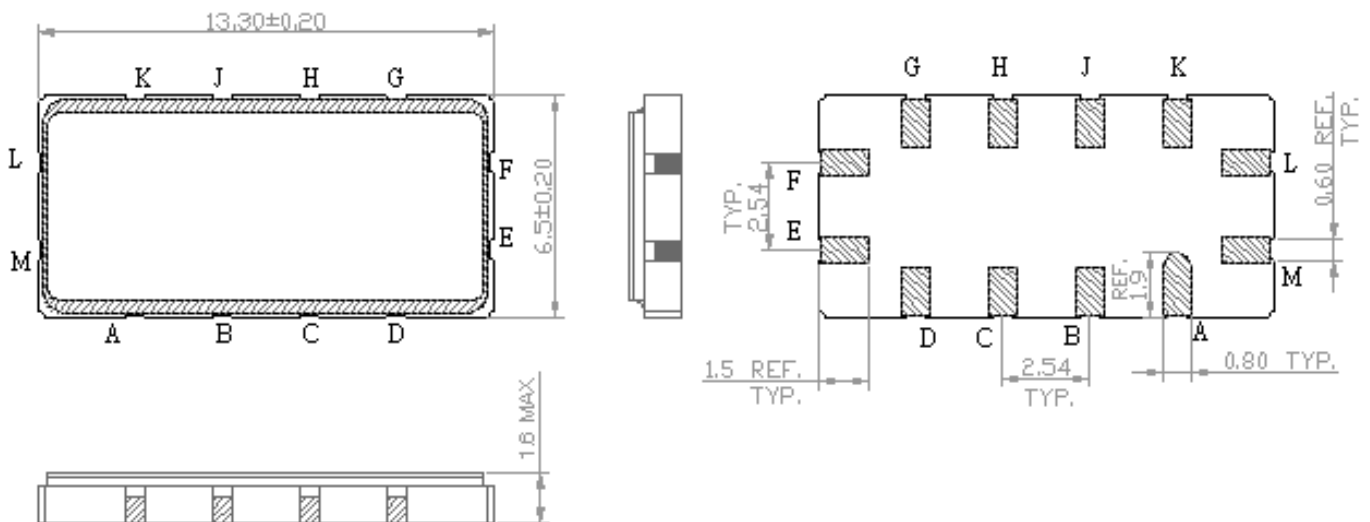
IF SAW Filter 140.0MHz
Part No: MA09267

Model: TB0439A
Rev No: 3

C. TEST FIXTURE:



D. OUTLINE DRAWING:



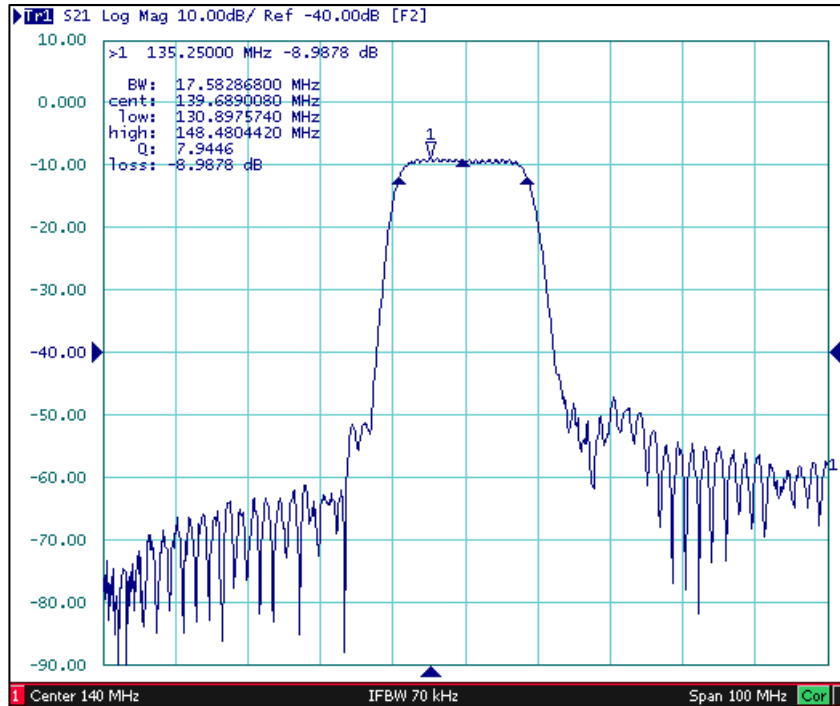
- L: RF Input
 - M: RF Input ground
 - E: RF Output
 - F: RF Output ground
 - A, B, C, D, G, H, J, K: To be ground
- Unit: mm

IF SAW Filter 140.0MHz
Part No: MA09267

Model: TB0439A
Rev No: 3

E. FREQUENCY CHARACTERISTICS:

1. S21 Response



2. Pass band Ripple and Group Delay Ripple

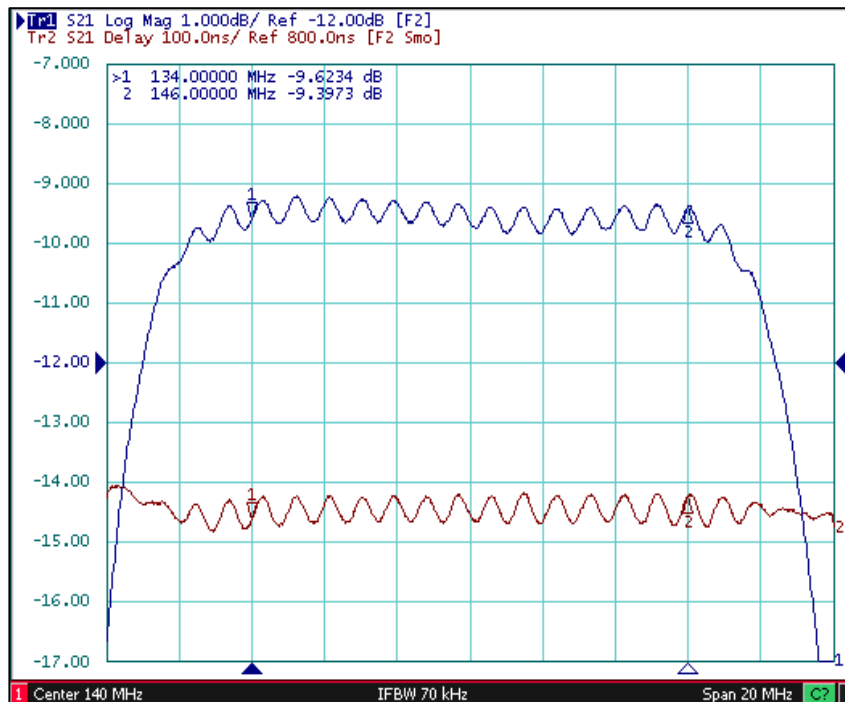


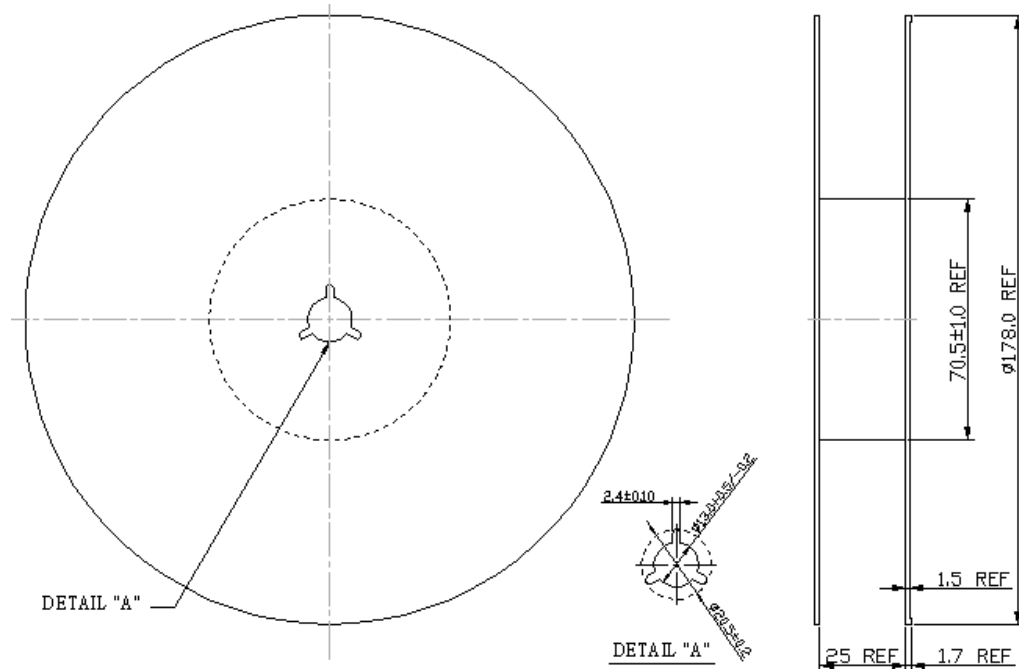
Fig 2: Horizontal: 2MHz / Div, Vertical: 1dB / Div, Vertical: 100nS / Div

IF SAW Filter 140.0MHz
Part No: MA09267

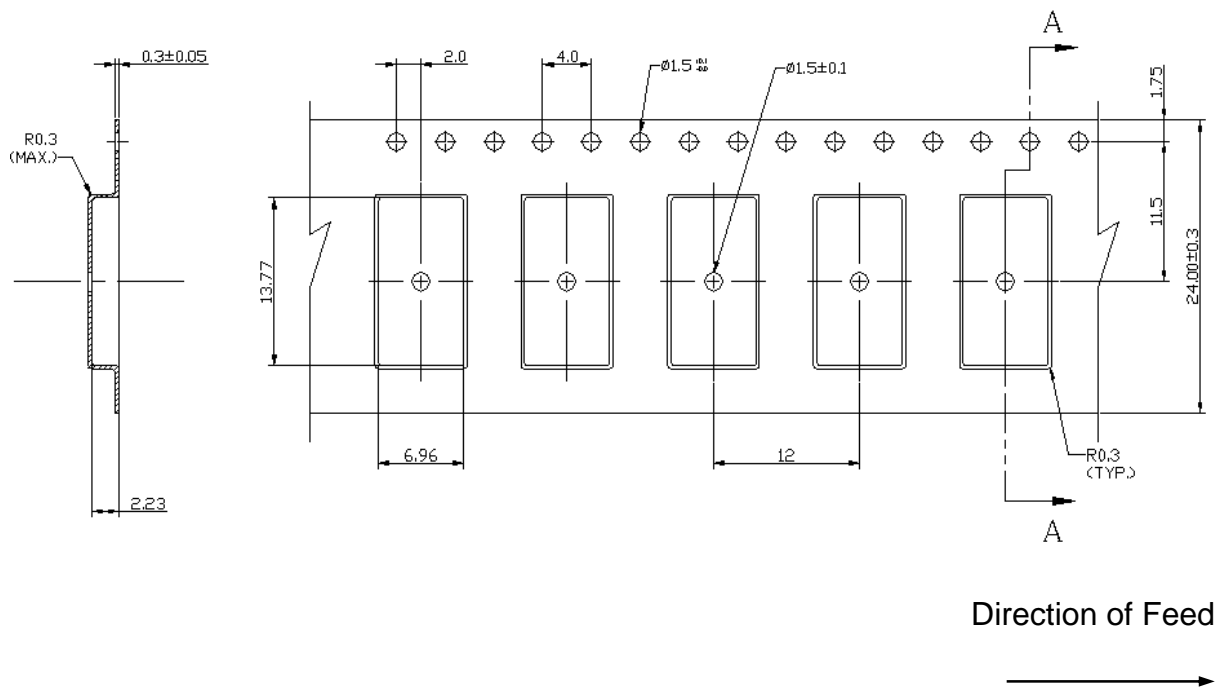
Model: TB0439A
Rev No: 3

G. PACKING:

1. Reel Dimension



2. Tape Dimension



IF SAW Filter 140.0MHz
Part No: MA09267

Model: TB0439A
Rev No: 3

H. RECOMMENDED REFLOW PROFILE:

