

**SAW Filter 465.0MHz**  
**Part No: MA06601**

**Model: TA465FD**  
**Rev No: 4**

**A. MAXIMUM RATING:**

Electrostatic Sensitive Device

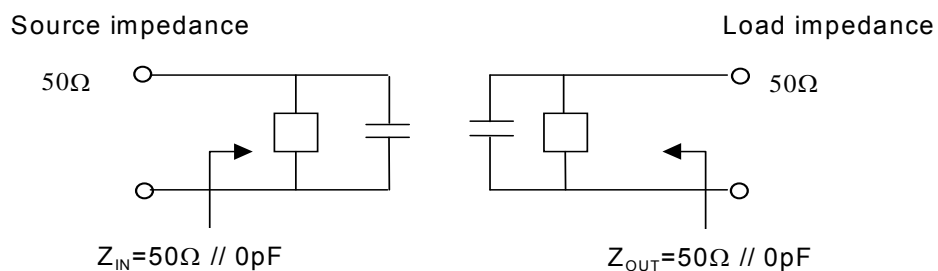
1. Input Power Level: 0dBm
2. DC voltage: 10V
3. Operating Temperature: -10°C to +50°C
4. Storage Temperature: -40°C to +85°C
5. Moisture Sensitivity Level: Level 1 (MSL1)

**B. ELECTRICAL CHARACTERISTICS:**

Characteristics	Specification	Note
Center frequency Fc (MHz)	465	1
I.L. (Within Fc ±2MHz) (dB)	4.0 max.	
Ripple( Within Fc ±2MHz) (dB)	2.0 max.	1
Attenuation: ( Reference level from 0dB)		
Fc -100MHz to -45MHz (dB)	50 min.	1
Fc +45MHz to + 100MHz (dB)	50 min.	
Impedance at Fc:		
Input $Z_{IN} = R_{IN} // C_{IN}$	50Ω // 0pF	2
Output $Z_{OUT} = R_{OUT} // C_{OUT}$	50Ω // 0pF	2

Note 1: The standard definitions is in JIS C 6703

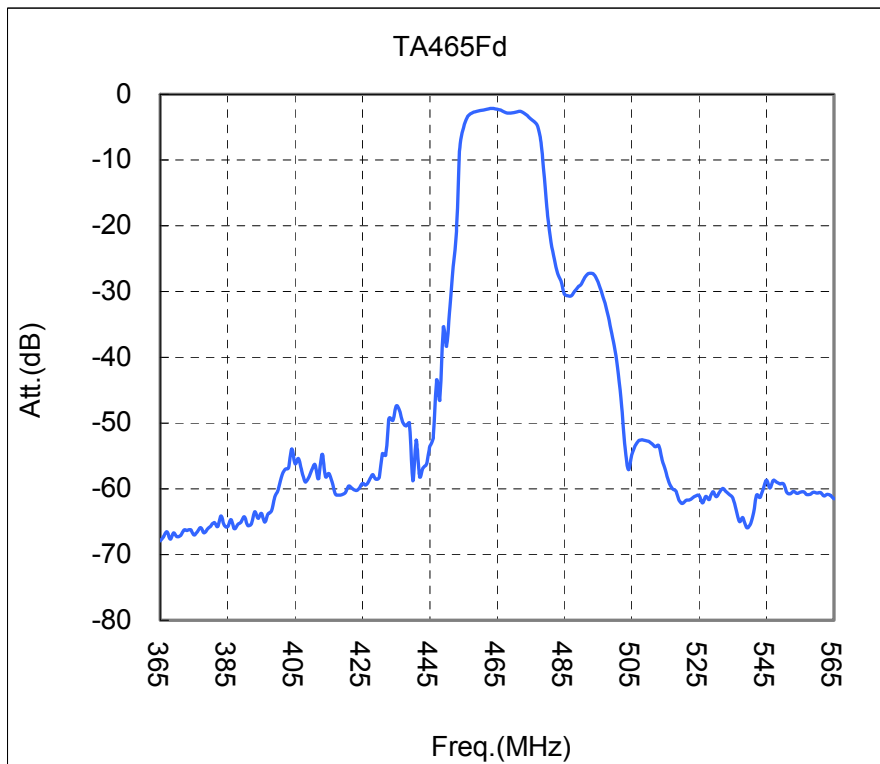
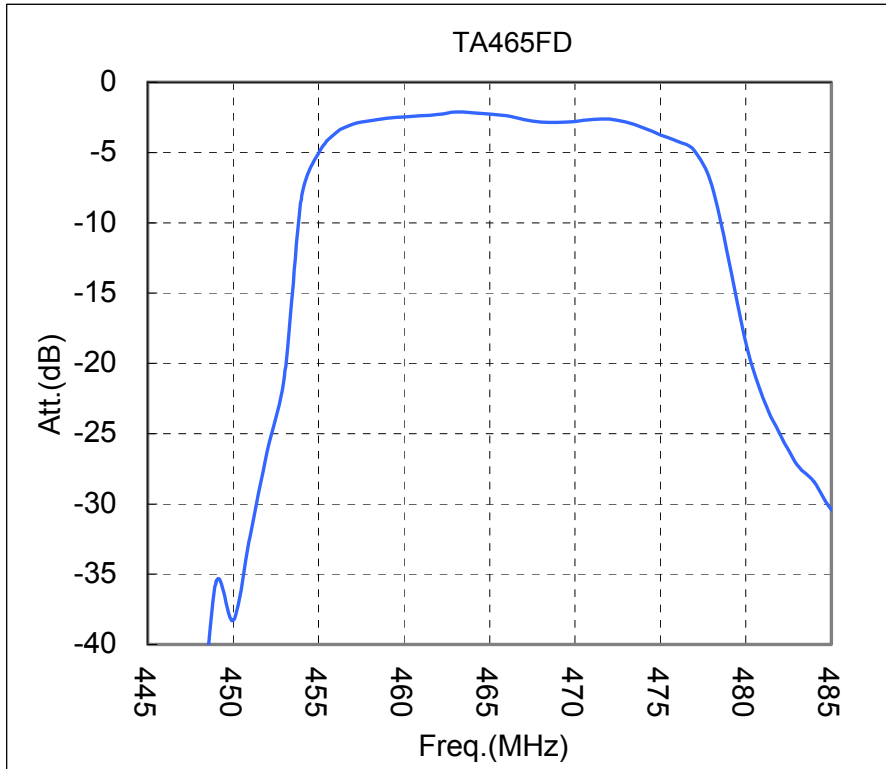
Note 2:



**SAW Filter 465.0MHz**  
**Part No: MA06601**

**Model: TA465FD**  
**Rev No: 4**

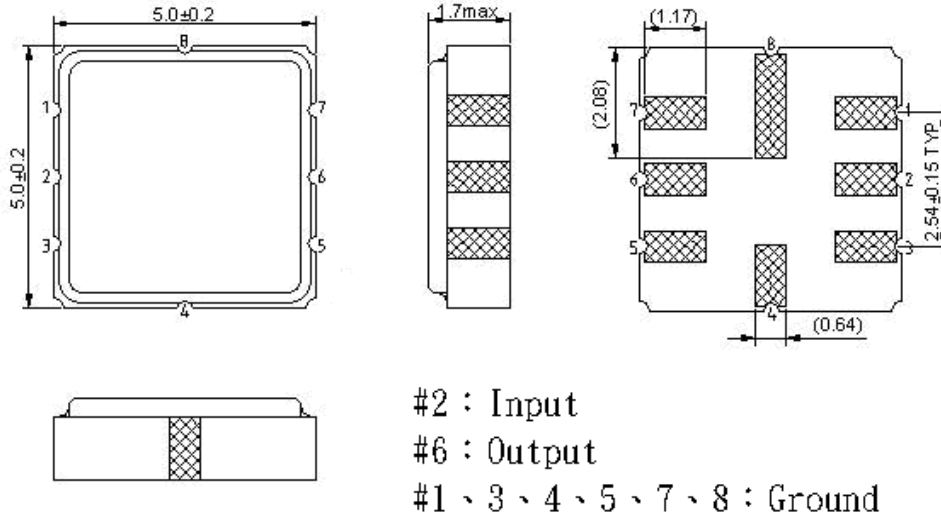
**C. FREQUENCY CHARACTERISTICS:**



**SAW Filter 465.0MHz**  
**Part No: MA06601**

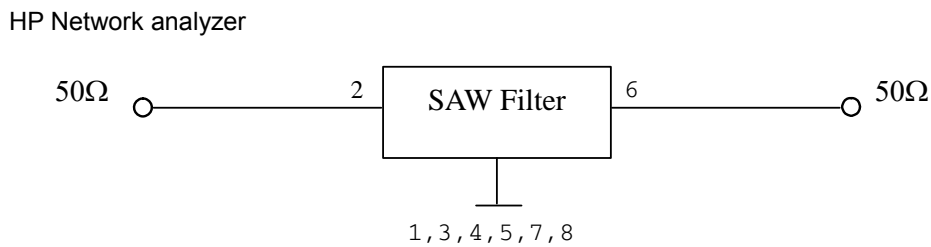
**Model: TA465FD**  
**Rev No: 4**

**D. OUTLINE DRAWING:**

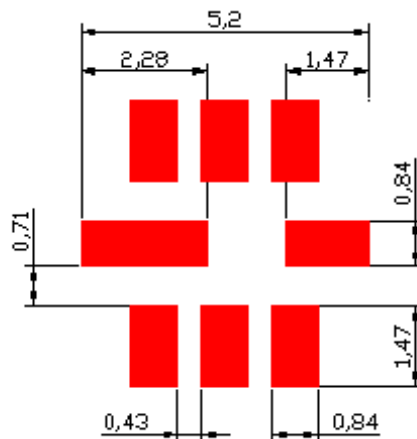


Unit : mm

**E. MEASUREMENT CIRCUIT:**



**F. PCB FOOTPRINT:**

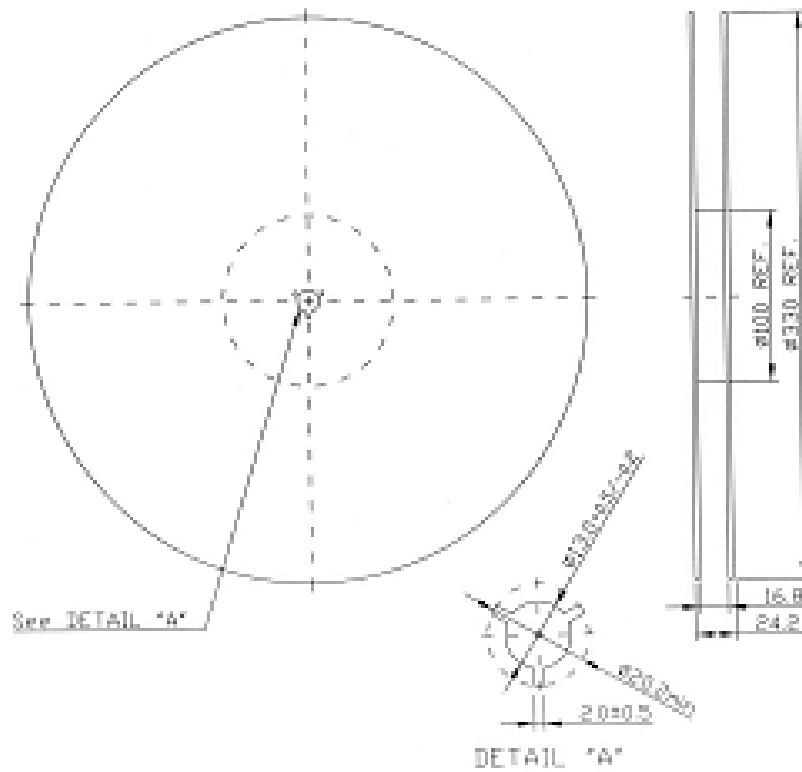


**SAW Filter 465.0MHz**  
**Part No: MA06601**

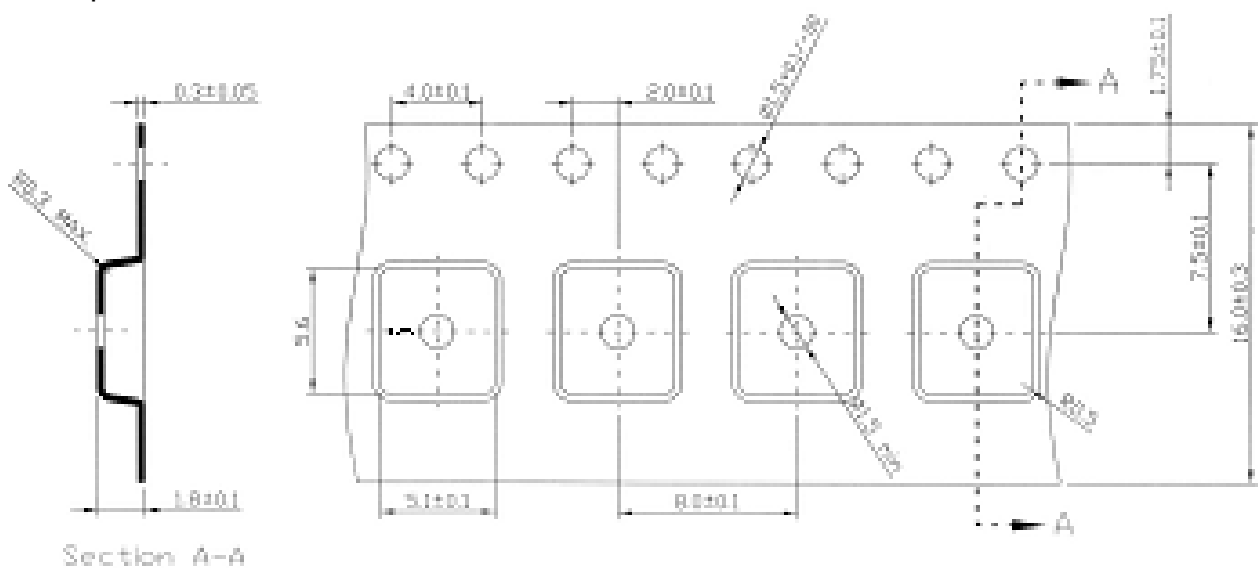
**Model: TA465FD**  
**Rev No: 4**

**G. PACKING:**

1. Reel Dimension



2. Tape Dimension



**SAW Filter 465.0MHz**  
**Part No: MA06601**

**Model: TA465FD**  
**Rev No: 4**

**H. RECOMMENDED REFLOW PROFILE:**

1. Preheating shall be fixed at 150 ~ 180°C for 60 ~ 90 seconds.
2. Ascending time to preheating temperature 150°C shall be 30 seconds min.
3. Heating shall be fixed at 220°C for 50 ~ 80 seconds and at 260°C +0/-5°C peak (20 ~ 40 sec).
4. Time: 2 times.

