

**SAW Filter 897.50MHz**

**Model: TA0494A**

**Part No: MA07813**

**Rev No: 1**

**A. MAXIMUM RATING:**

1. Input Power Level: 5dBm
2. DC voltage: 3V
3. Operating Temperature: -20°C to +75°C
4. Storage Temperature: -40°C to +85°C

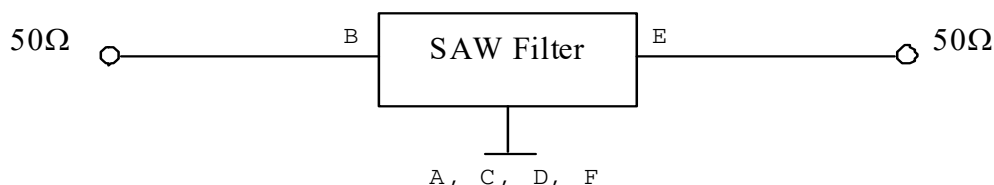
**B. ELECTRICAL CHARACTERISTICS:**

Item	Min.	Typ.	Max.
Center frequency Fc (MHz)	-	897.5	-
Insertion loss (880 ~ 915MHz) IL (dB)	-	2.1	3.0
Amplitude ripple (880 ~ 915MHz) (dB)	-	1.0	2.0
Attenuation (Reference level from 0dB)			
DC ~ 860MHz (dB)	17	19	-
925 ~ 935MHz (dB)	5	12.4	-
935 ~ 960MHz (dB)	20	24	-
980 ~ 2000MHz (dB)	20	22	-
VSWR (880 ~ 915MHz)	-	2	2.6
Source impedance Z <sub>S</sub> (Ω)	-	50	-
Load impedance Z <sub>L</sub> (Ω)	-	50	-

Note: The standard definitions is in JIS C 6703

**C. MEASUREMENT CIRCUIT:**

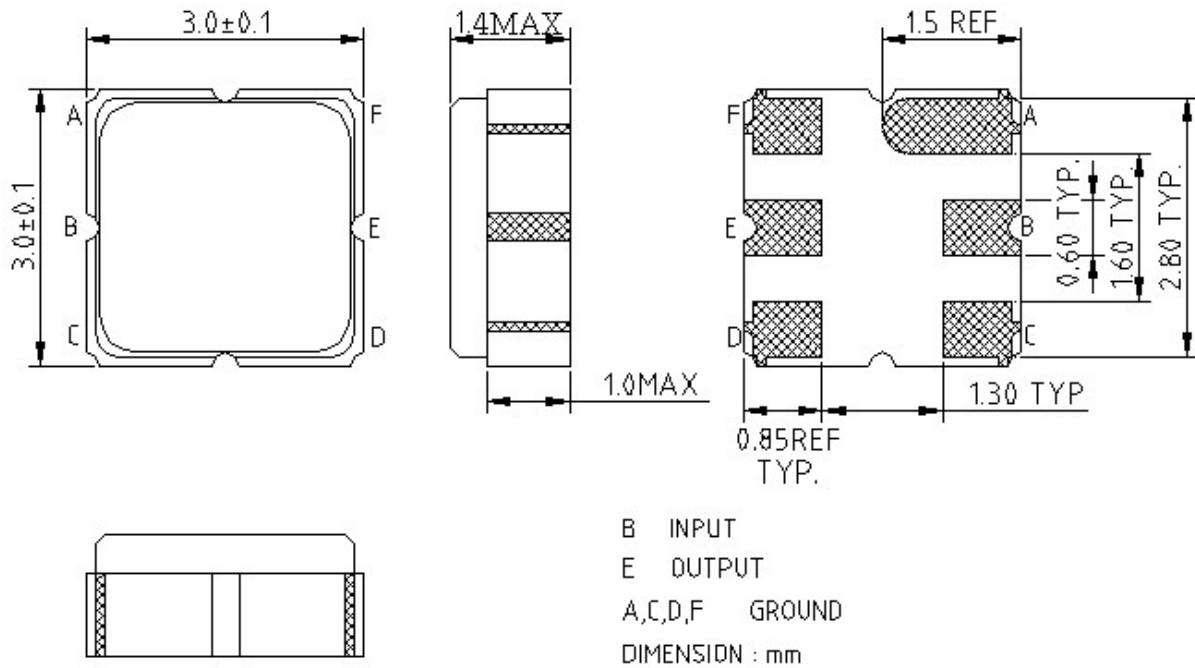
HP Network analyzer



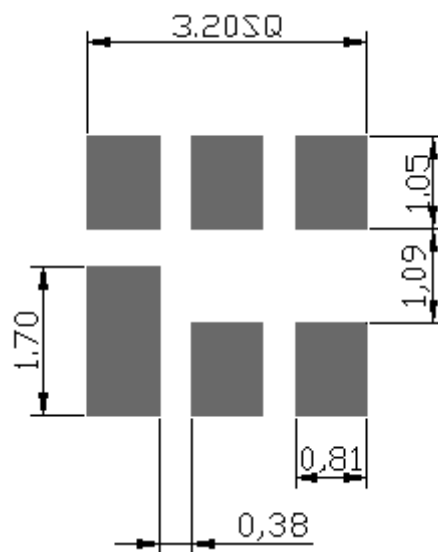
**SAW Filter 897.50MHz**  
**Part No: MA07813**

**Model: TA0494A**  
**Rev No: 1**

**D: OUTLINE DRAWING:**



**E. PCB FOOTPRINT:**

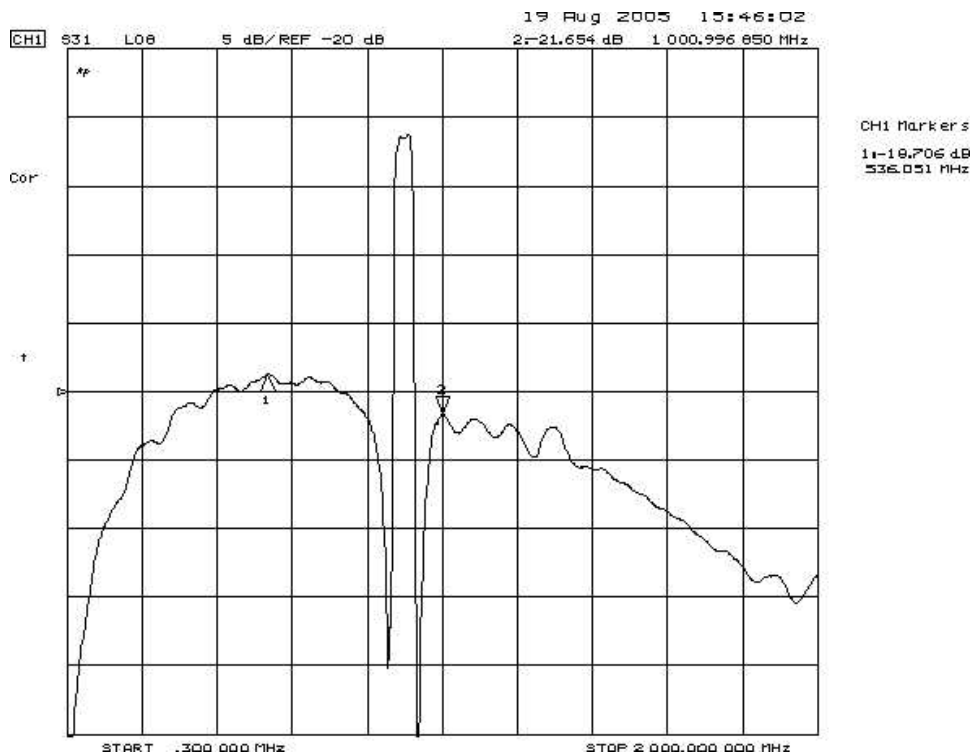
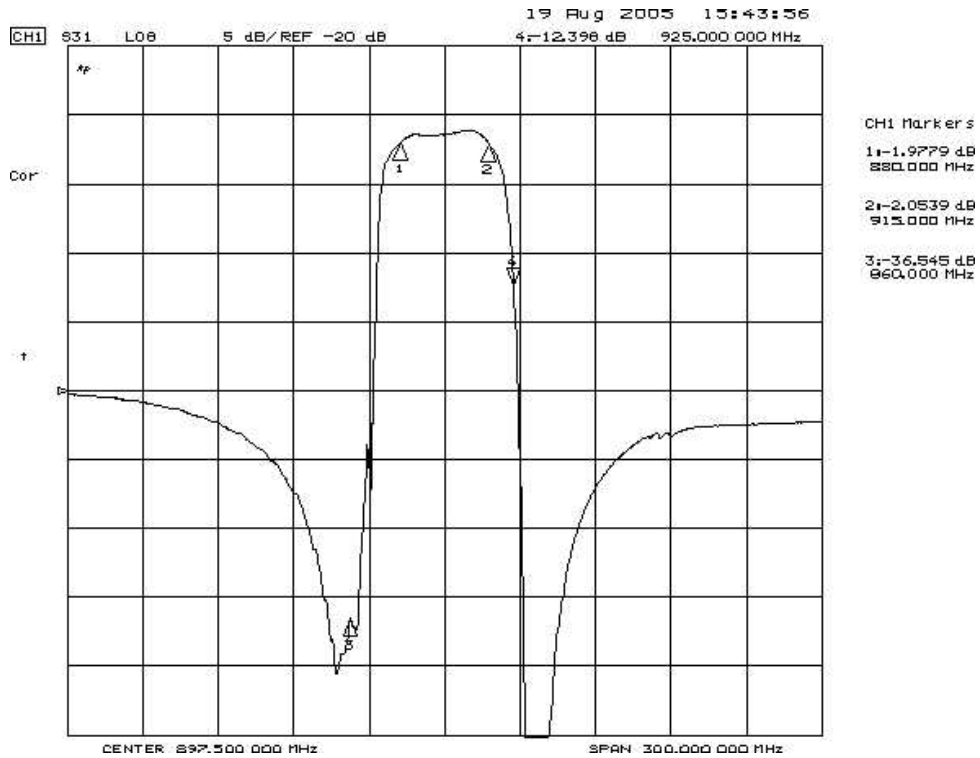


**SAW Filter 897.50MHz**  
**Part No: MA07813**

**Model: TA0494A**  
**Rev No: 1**

**F. FREQUENCY CHARACTERISTICS:**

1. Transfer functions:

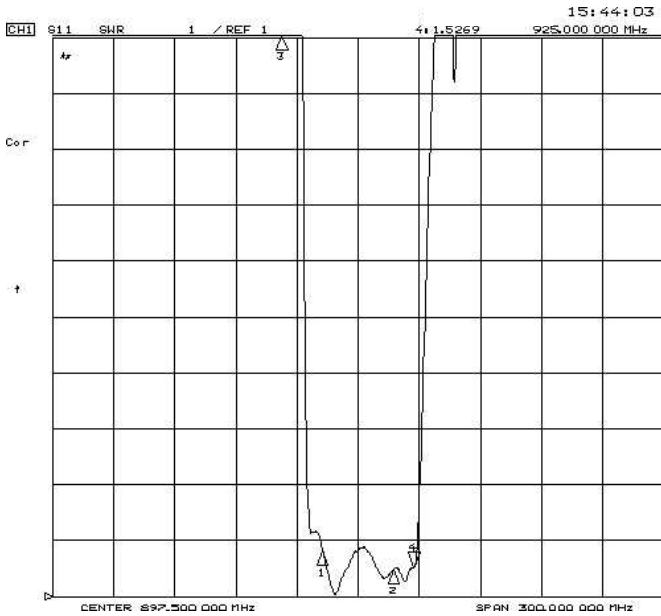


**SAW Filter 897.50MHz**  
**Part No: MA07813**

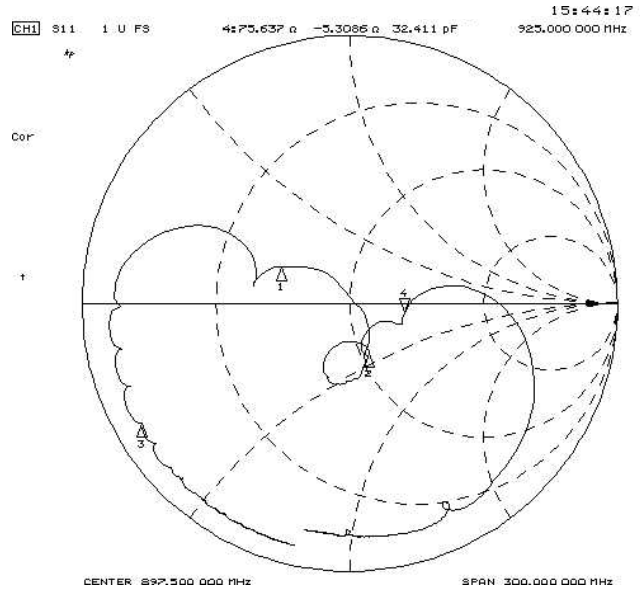
**Model: TA0494A**  
**Rev No: 1**

2. Reflection Functions

S11

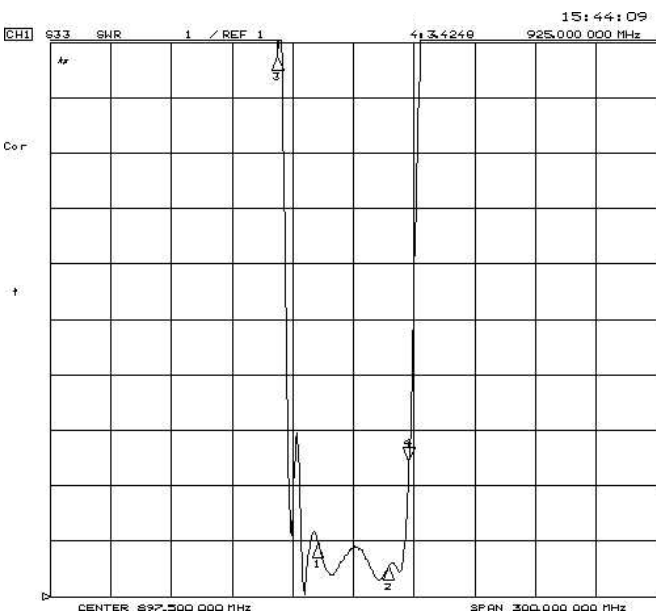


CH1 Markers  
 1: 1.8122  
 860.000 MHz  
 2: 1.4934  
 915.000 MHz  
 3: 18.521  
 860.000 MHz

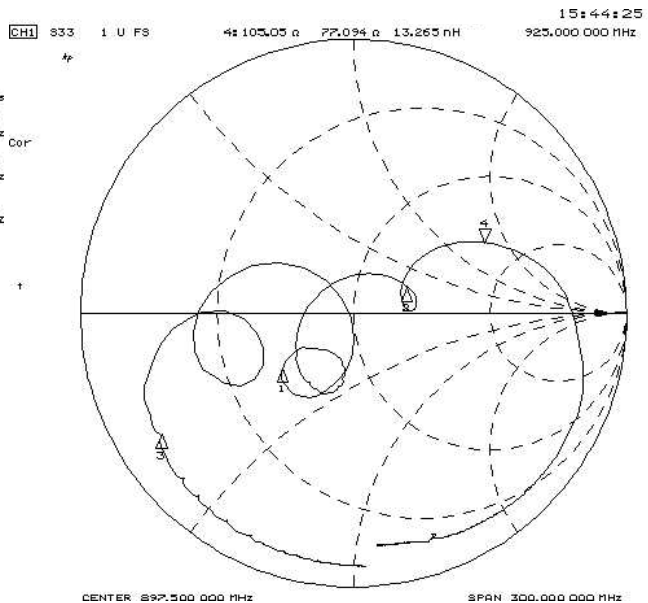


CH1 Markers  
 1: 29.904 p  
 20.674 p  
 860.000 MHz  
 2: 13.334 p  
 -20.672 p  
 915.000 MHz  
 3: 2.8818 p  
 -13.334 p  
 860.000 MHz

S22



CH1 Markers  
 1: 1.9717  
 860.000 MHz  
 2: 1.5632  
 915.000 MHz  
 3: 10.762  
 860.000 MHz



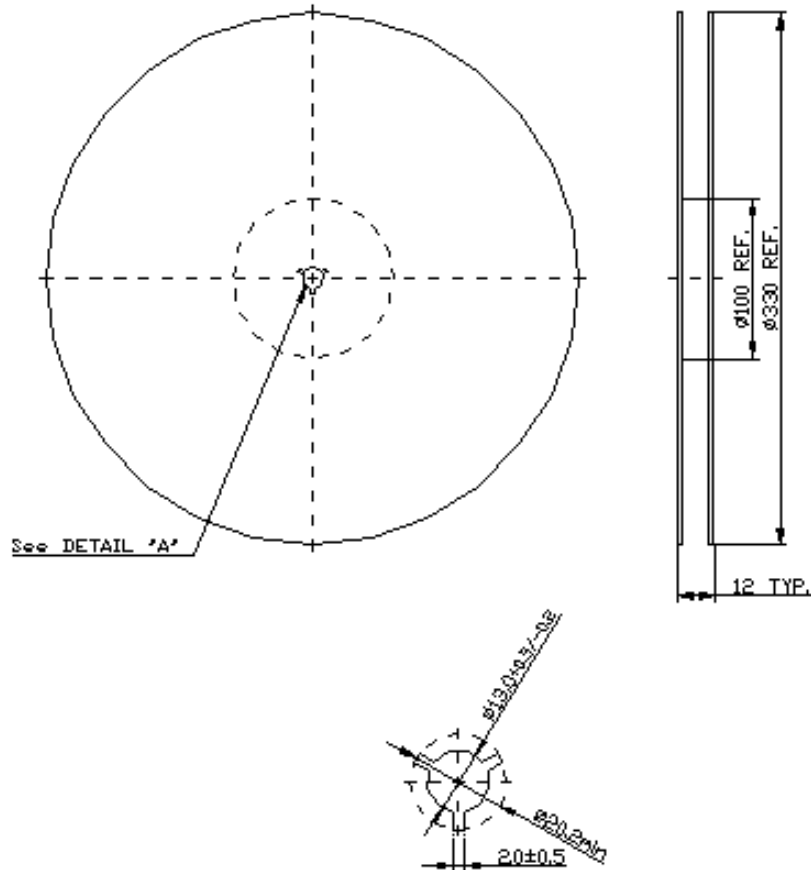
CH1 Markers  
 1: 27.492 p  
 -12.297 p  
 860.000 MHz  
 2: 72.944 p  
 14.711 p  
 915.000 MHz  
 3: 5.0269 p  
 -14.316 p  
 860.000 MHz

**SAW Filter 897.50MHz**  
**Part No: MA07813**

**Model: TA0494A**  
**Rev No: 1**

**G. PACKING:**

1. Reel Dimensions



2. Tape Dimensions

