

SAW Filter 1642.50MHz
Part No: MA09739

Model: TA0788A
Rev No: 2

A. MAXIMUM RATING:

Electrostatic Sensitive Device

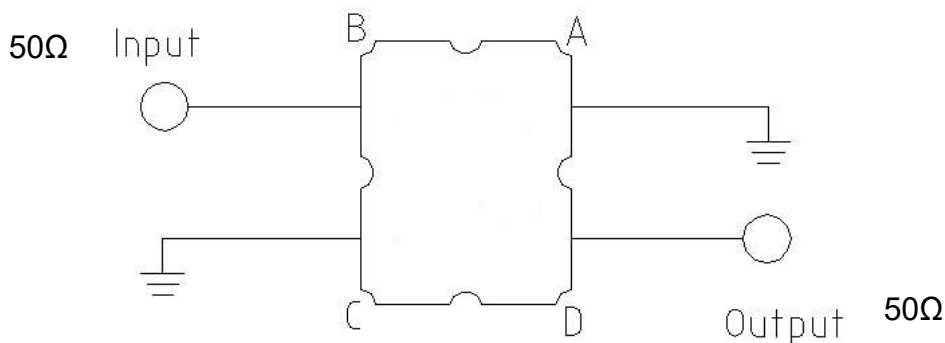
1. Input Power Level: 5dBm
2. DC voltage: 5V
3. Operating Temperature: -40°C to +90°C
4. Storage Temperature: -51°C to +95°C
5. Moisture Sensitivity Level: Level 1 (MSL1)

B. ELECTRICAL CHARACTERISTICS:

Item	Min.	Typ.	Max.
Center frequency Fc (dB)	-	1642.5	-
Insertion loss within 1625 ~ 1660MHz IL (dB)	-	2.1	3.5
Amplitude ripple (p-p) within 1625 ~ 1660MHz (dB)	-	0.9	2.0
Attenuation (Reference level from 0dB)			
DC ~ 1500MHz (dB)	21	28	-
1525 ~ 1559MHz (dB)	30	34	-
1700 ~ 2050MHz (dB)	30	33	-
2050 ~ 3500MHz (dB)	25	33	-
VSWR within 1625 ~ 1660MHz	-	1.5	2.3
Source impedance Z _S (Ω)	-	50	-
Load impedance Z _L (Ω)	-	50	-

Note 1: No matching network required for operation at 50Ω

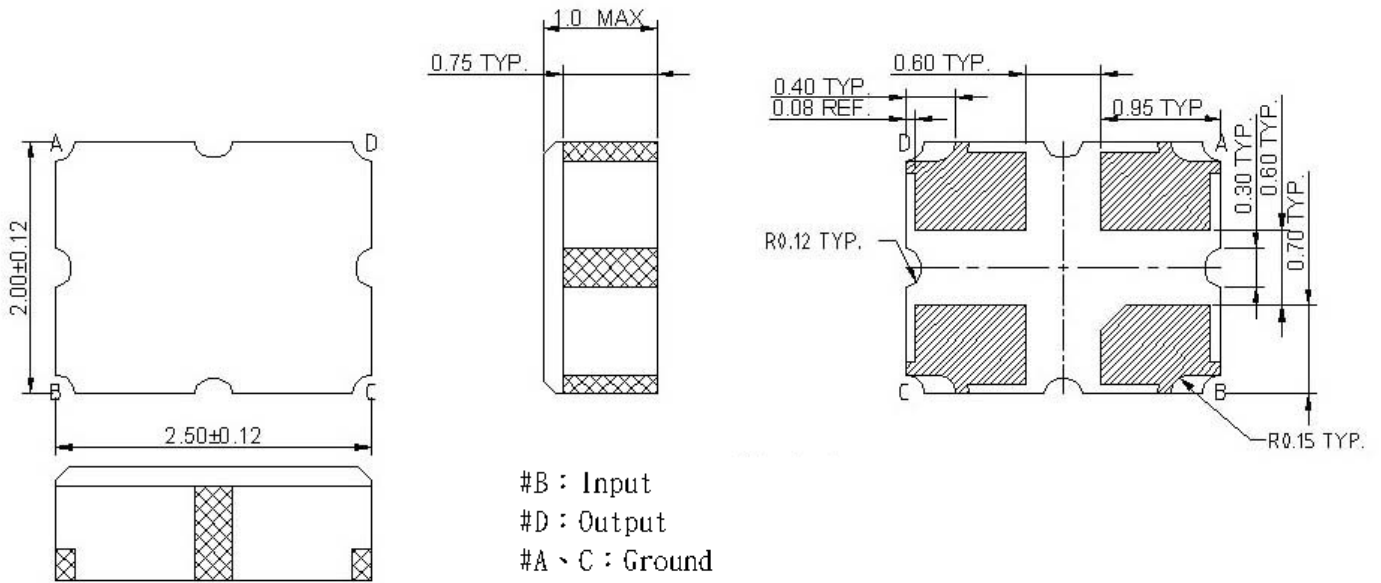
C. MEASUREMENT CIRCUIT:



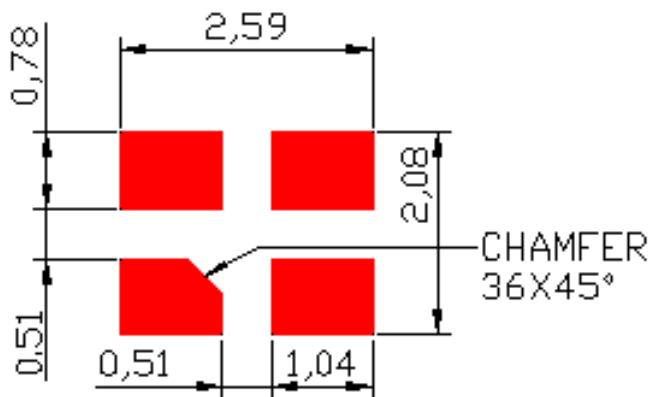
SAW Filter 1642.50MHz
Part No: MA09739

Model: TA0788A
Rev No: 2

D. OUTLINE DRAWING:



E. PCB FOOTPRINT:

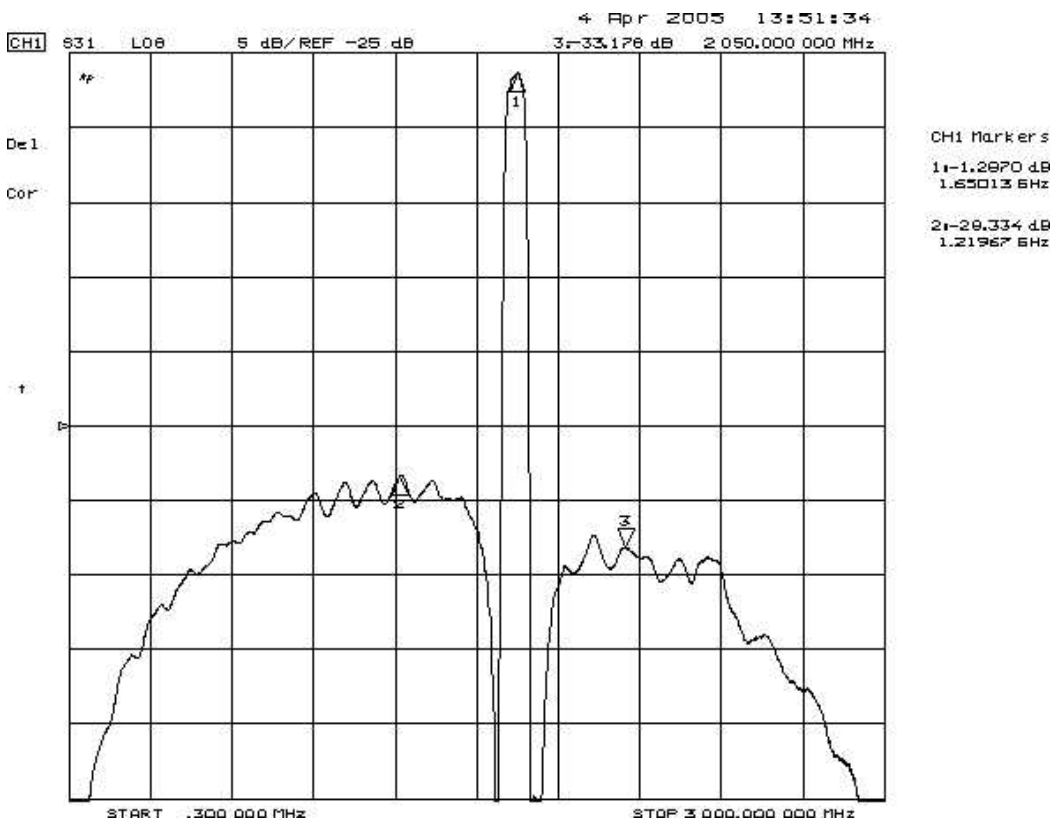
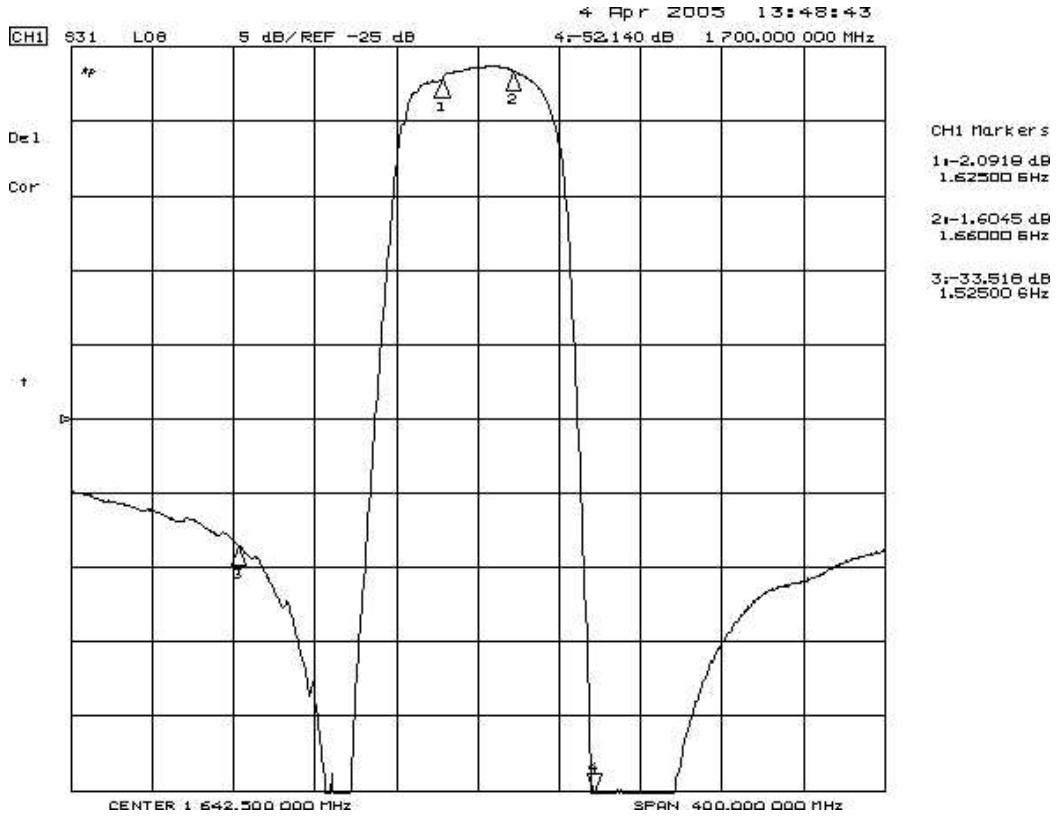


SAW Filter 1642.50MHz
Part No: MA09739

Model: TA0788A
Rev No: 2

F. FREQUENCY CHARACTERISTICS:

1. Transfer function

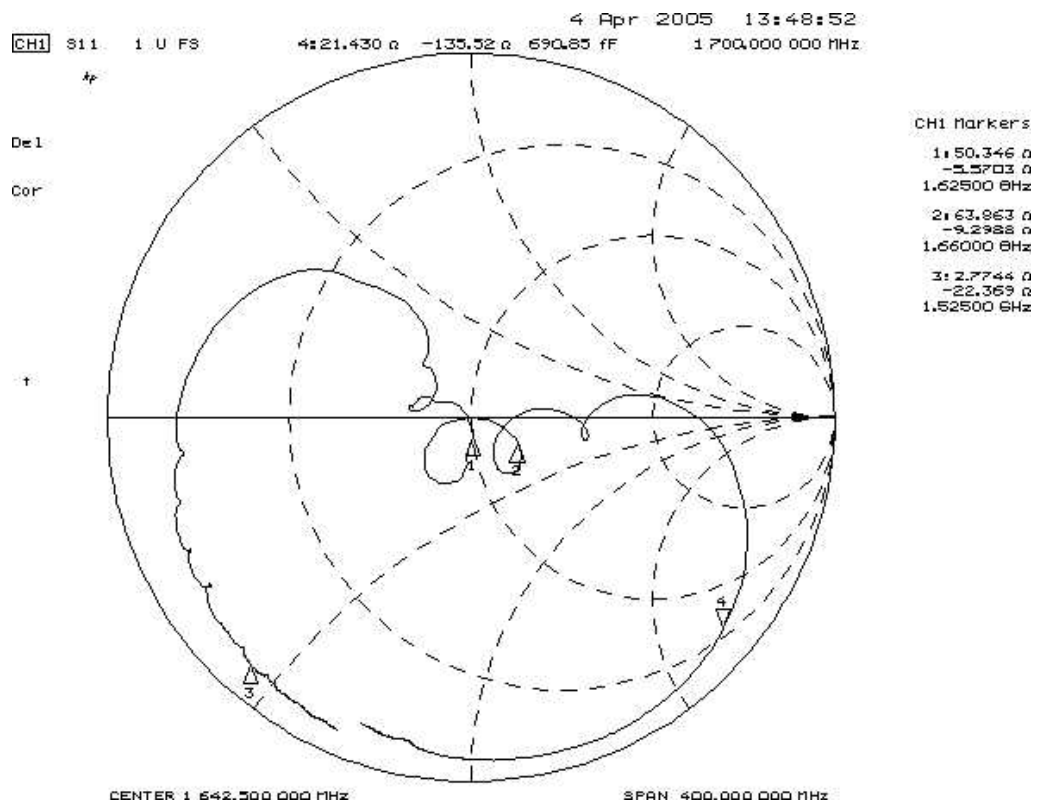
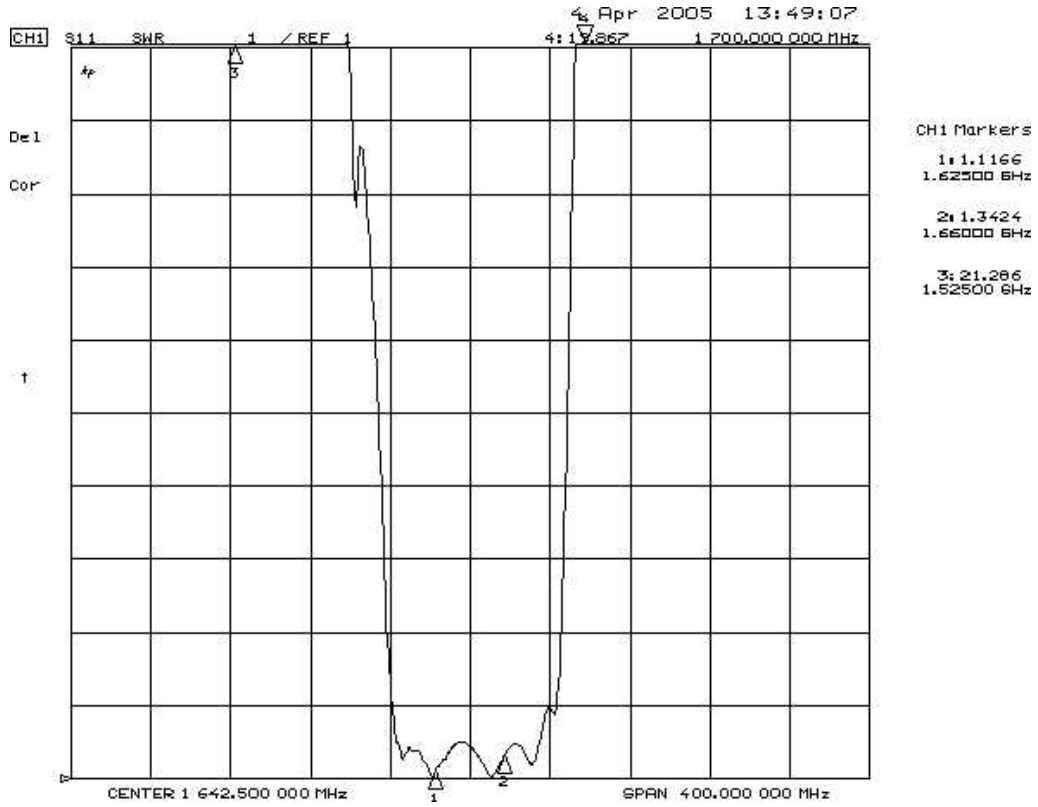


SAW Filter 1642.50MHz
Part No: MA09739

Model: TA0788A
Rev No: 2

2. Reflections Functions

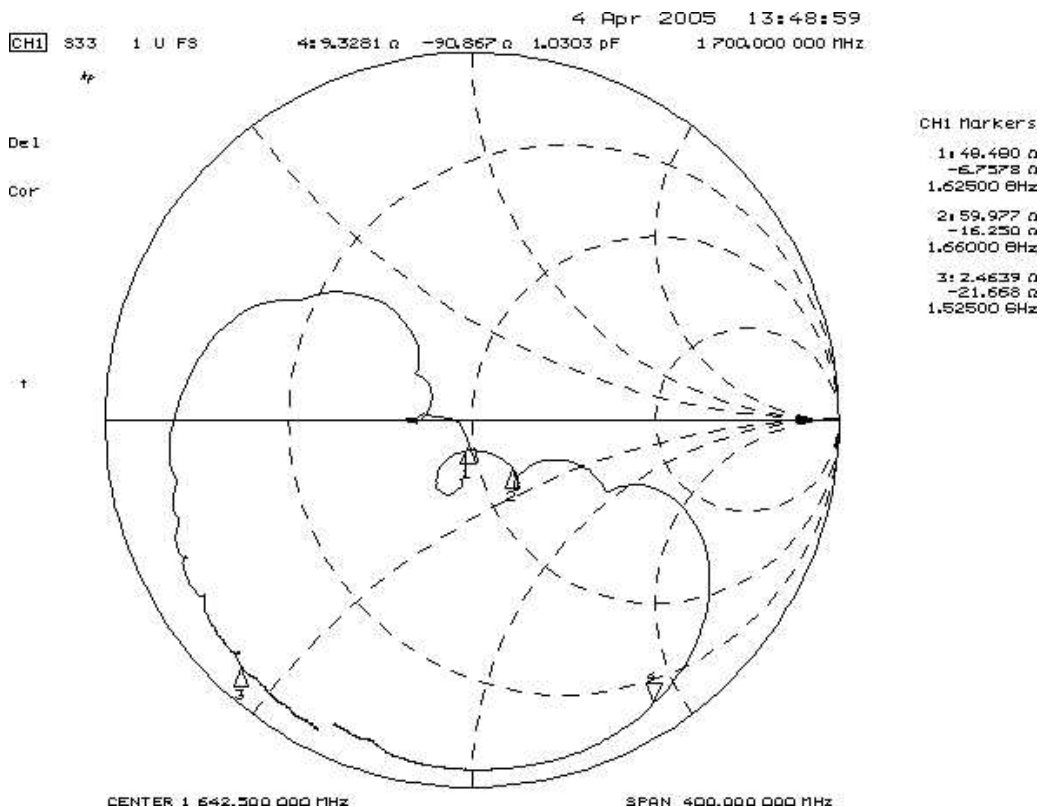
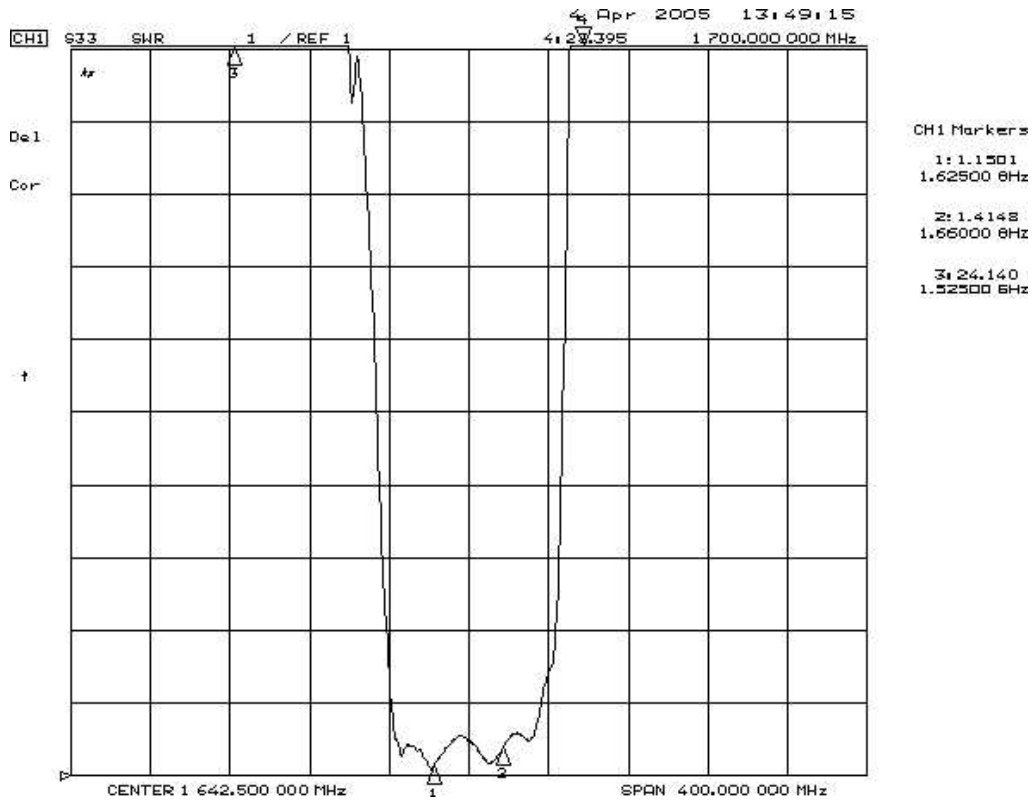
S11 VSWR



SAW Filter 1642.50MHz
Part No: MA09739

Model: TA0788A
Rev No: 2

S22 VSWR

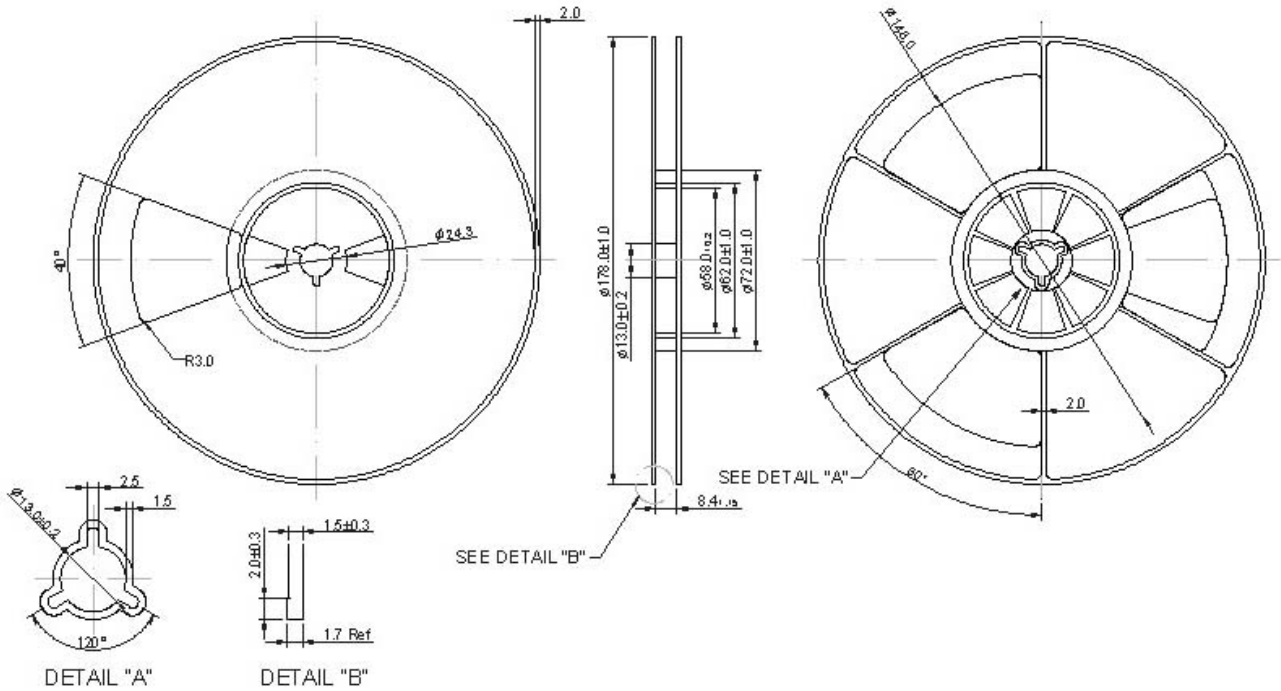


SAW Filter 1642.50MHz
Part No: MA09739

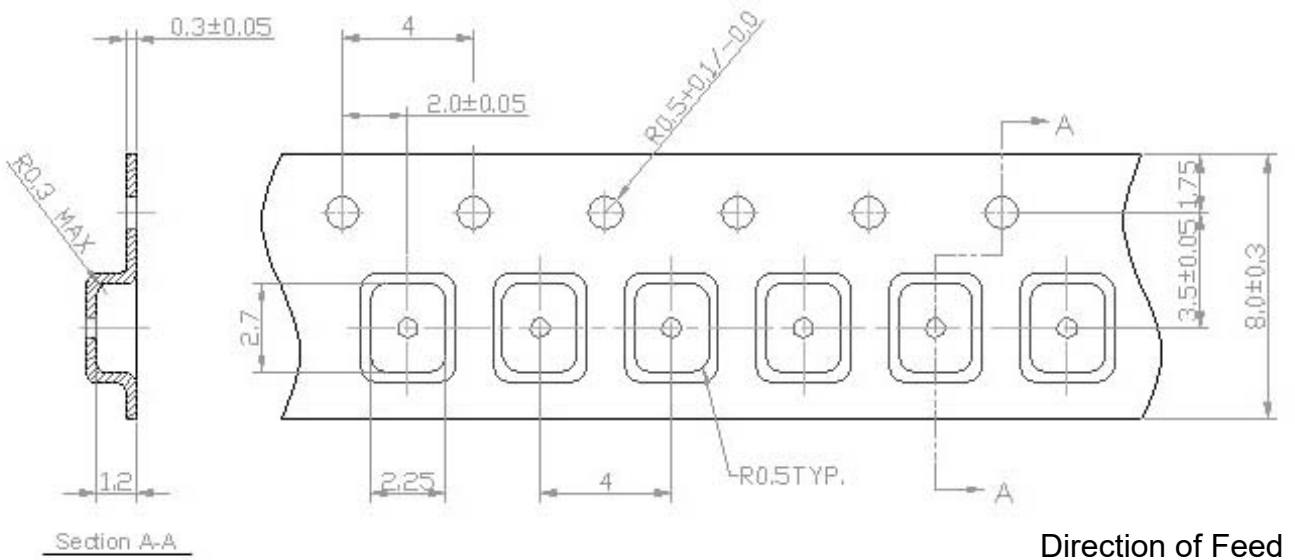
Model: TA0788A
Rev No: 2

G. PACKING:

1. Reel Dimensions



2. Tape Dimensions



SAW Filter 1642.50MHz
Part No: MA09739

Model: TA0788A
Rev No: 2

H. RECOMMENDED REFLOW PROFILE:

1. Preheating shall be fixed at 150 ~ 180°C for 60 ~ 90 seconds.
2. Ascending time to preheating temperature 150°C shall be 30 seconds min.
3. Heating shall be fixed at 220°C for 50 ~ 80 seconds and at 260°C +0/-5°C peak (20 ~ 40 sec).
4. Time: 2 times.

