

SAW Filter 978.0MHz
Part No: MP01109

Model: TA0689A
Rev No: 3

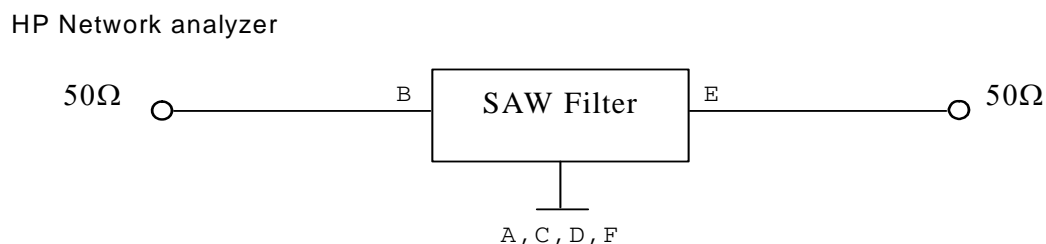
A. MAXIMUM RATING:

1. Input Power Level: 20dBm
2. DC Voltage: 3V
3. Operating Temperature: -40°C to +85°C
4. Storage Temperature: -40°C to +85°C

B. ELECTRICAL CHARACTERISTICS:

Item	Unit	Min.	Typ.	Max.	Note
Center Frequency Fc	MHz	-	978	-	-
Insertion Loss (975.5 ~ 980.5MHz) IL	dB	-	3	3.5	-
Amplitude Ripple (975.5 ~ 980.5MHz)	dB	-	0.1	1.2	-
VSWR (975.5 ~ 980.5MHz)		-	1.6	2.4	-
Phase Delay (975.5 ~ 980.5MHz)	deg	-	11.6	20	
Attenuation (Reference level from 0dB)					
D.C ~ 950MHz	dB	40	58	-	-
1000 ~ 1020MHz	dB	30	38	-	-
1020 ~ 1500MHz	dB	40	56	-	-
1500 ~ 2000MHz	dB	30	50	-	-

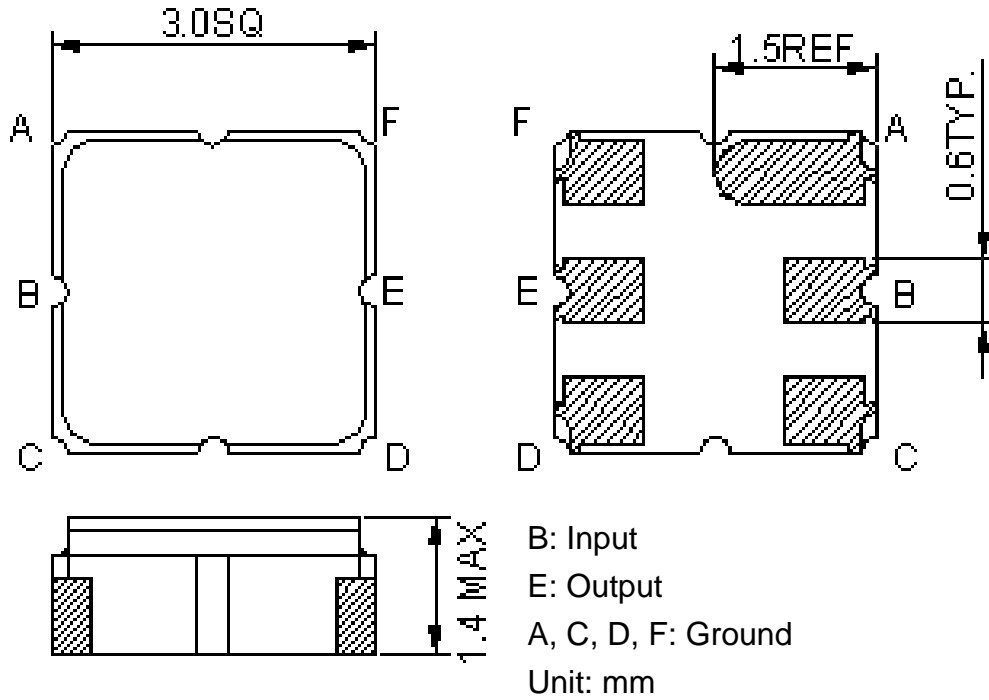
C. MEASUREMENT CIRCUIT:



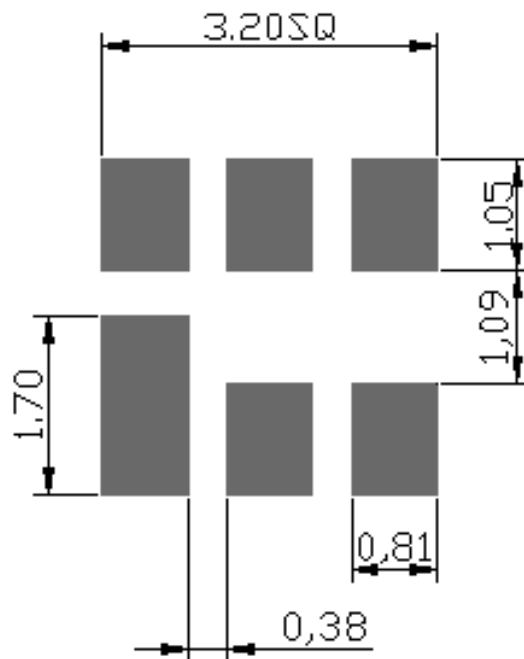
SAW Filter 978.0MHz
Part No: MP01109

Model: TA0689A
Rev No: 3

D. OUTLINE DRAWING:



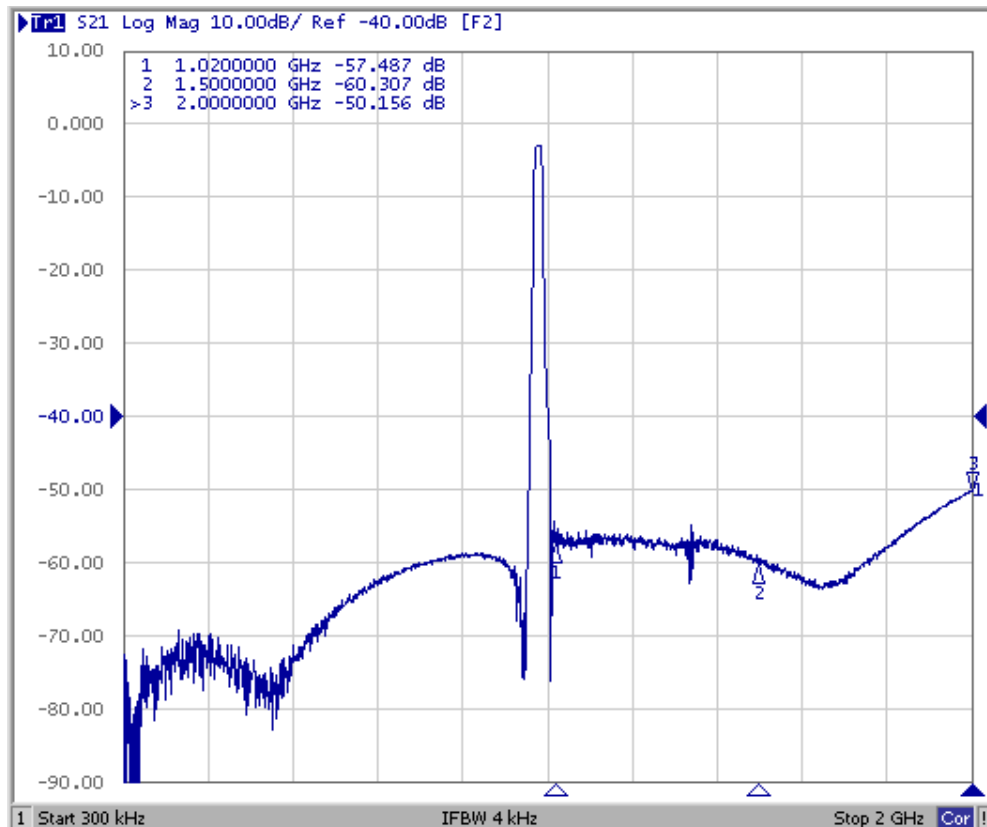
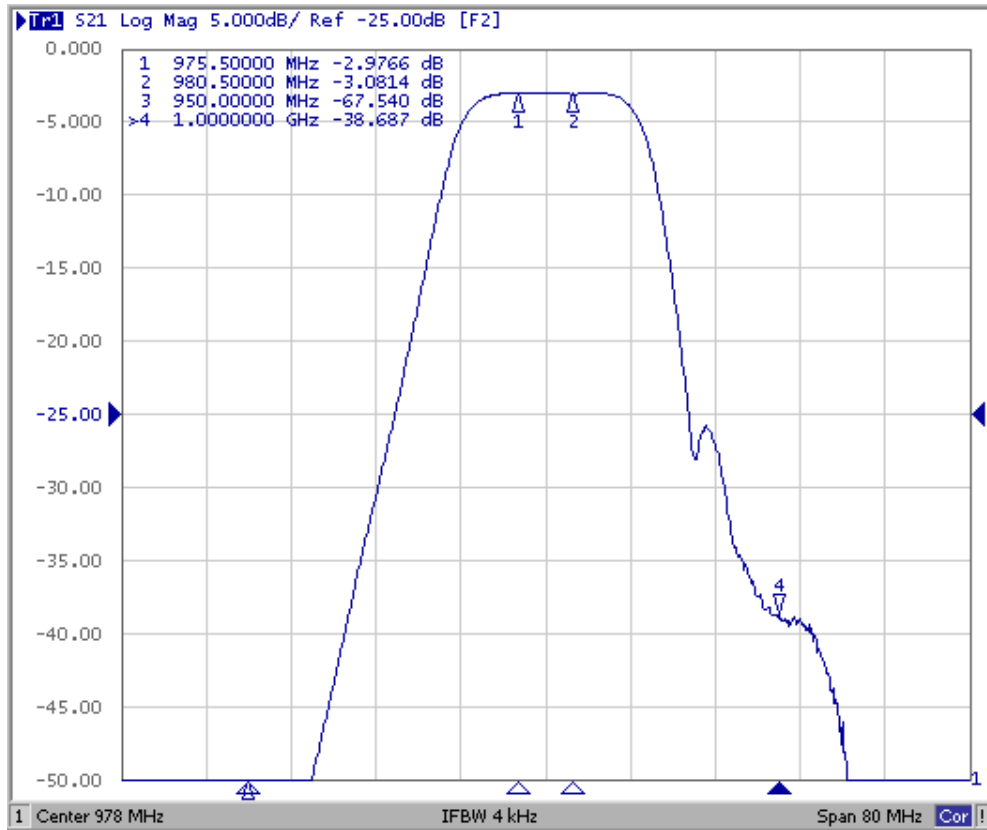
E. PCB FOOTPRINT:



SAW Filter 978.0MHz
Part No: MP01109

Model: TA0689A
Rev No: 3

F. FREQUENCY CHARACTERISTICS:

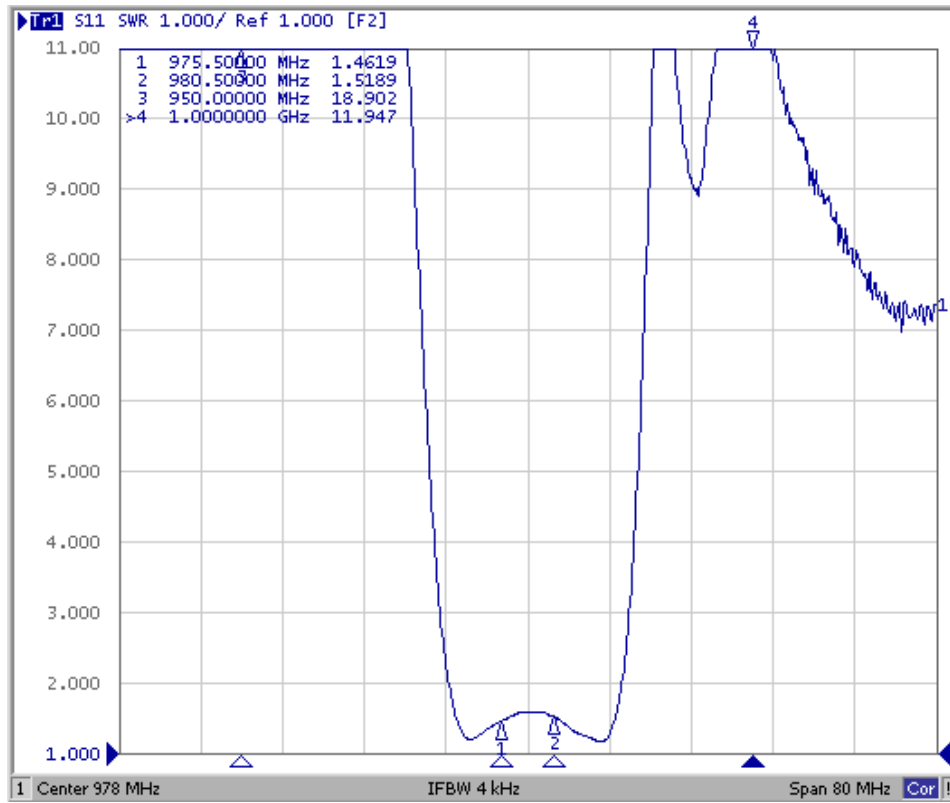


SAW Filter 978.0MHz
Part No: MP01109

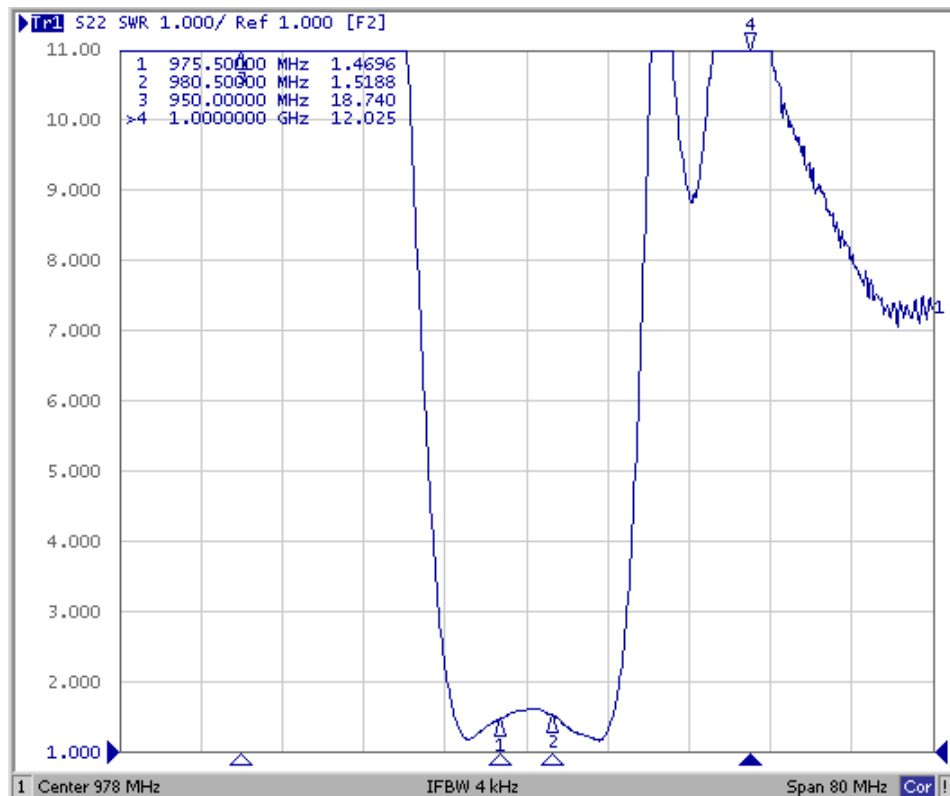
Model: TA0689A
Rev No: 3

Reflection Functions

S11



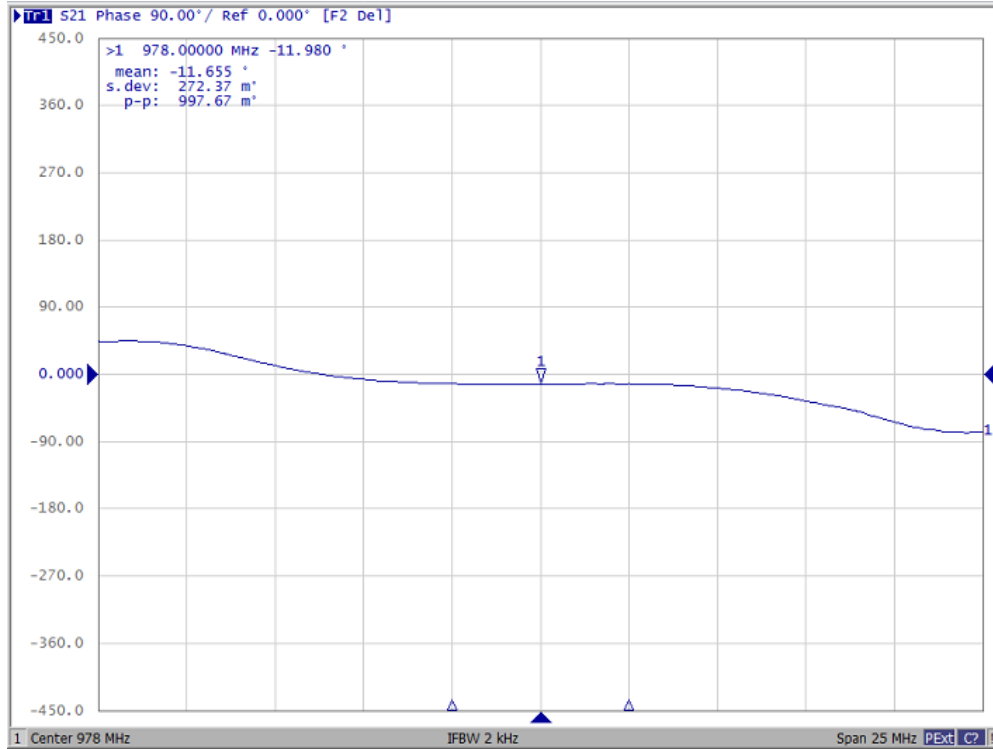
S22



SAW Filter 978.0MHz
Part No: MP01109

Model: TA0689A
Rev No: 3

Phase

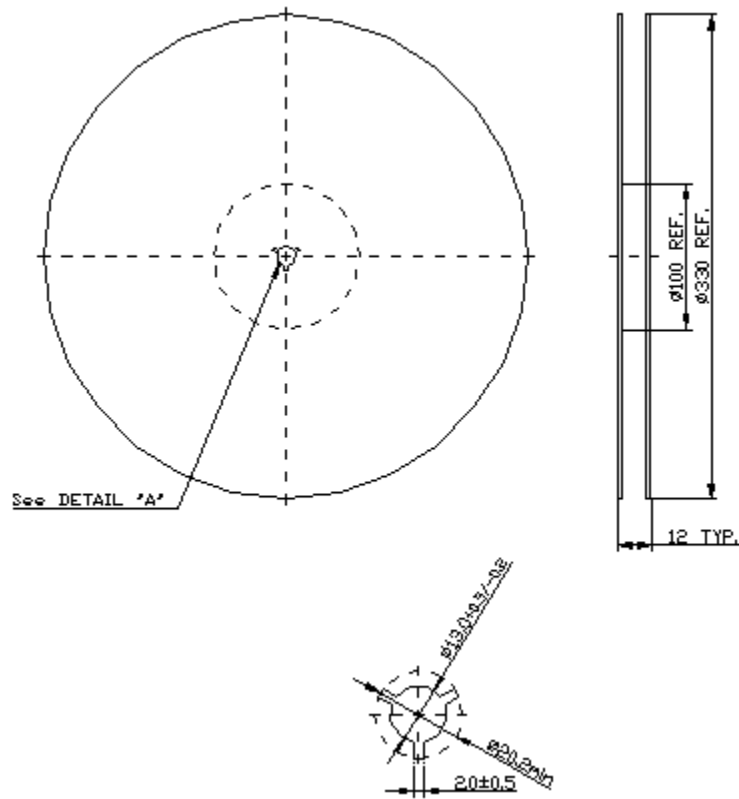


SAW Filter 978.0MHz
Part No: MP01109

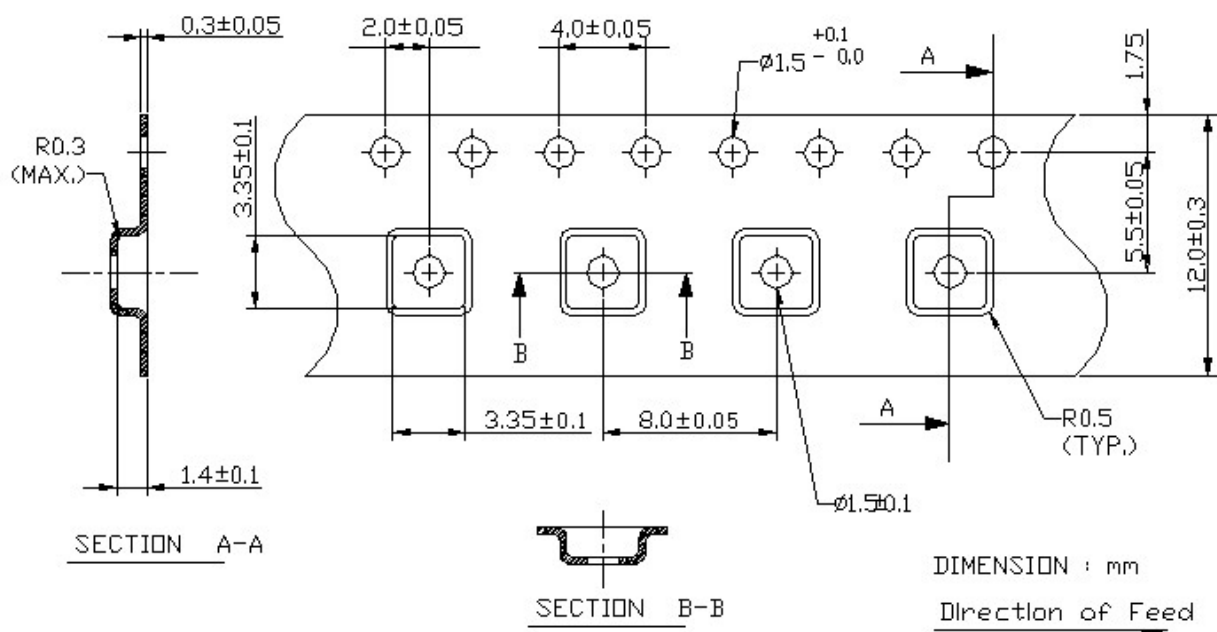
Model: TA0689A
Rev No: 3

G. PACKING:

1. Reel Dimension



2. Tape Dimension



SAW Filter 978.0MHz
Part No: MP01109

Model: TA0689A
Rev No: 3

H. RECOMMENDED REFLOW PROFILE:

1. Preheating shall be fixed at 150 ~ 180°C for 60 ~ 90 seconds.
2. Ascending time to preheating temperature 150°C shall be 30 seconds min.
3. Heating shall be fixed at 220°C for 50 ~ 80 seconds and at 260°C +0/-5°C peak (20 ~ 40 sec).
4. Time: 2 times.

