

SAW Filter 2544.50MHz
Part No: MP03651

Model: TA1137A
Rev No. 2

A. MAXIMUM RATING:

1. Input Power Level: 10dBm
2. DC Voltage: 3V
3. Operating Temperature: -20°C to +70°C
4. Storage Temperature: -30°C to +85°C

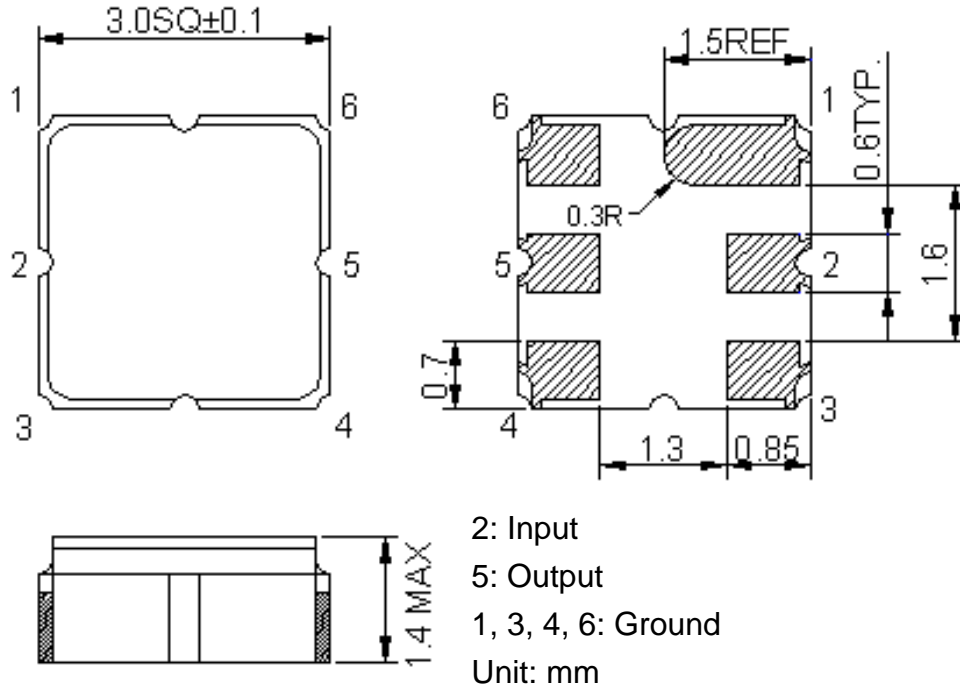
B. ELECTRICAL CHARACTERISTICS:

Item	Unit	Min.	Typ.	Max.	Note
Center Frequency Fc	MHz	-	2544.5	-	-
Insertion Loss (2496 ~ 2593MHz) IL	dB		2.8	4	-
			3.0	4.2	-40°C~85°C
Amplitude Ripple (2496 ~ 2593MHz)	dB		1.6	2.5	-
			1.8	2.7	-40°C~85°C
VSWR (2496 ~ 2593MHz)			2	2.5	-
			2	2.5	-40°C~85°C
Attenuation (Reference level from 0dB)					
DC ~ 2400MHz	dB	25	28	-	-
2400 ~ 2445MHz	dB	31	39	-	-
2445 ~ 2460MHz	dB		15	25	-
			12	15	-40°C~85°C
2660 ~ 3800MHz	dB		30	37	-
			28	31	-40°C~85°C
3800 ~ 5000MHz	dB	15	25	-	-
Temperature Coefficient of Frequency	ppm/°C	-	-36	-	-

SAW Filter 2544.50MHz
Part No: MP03651

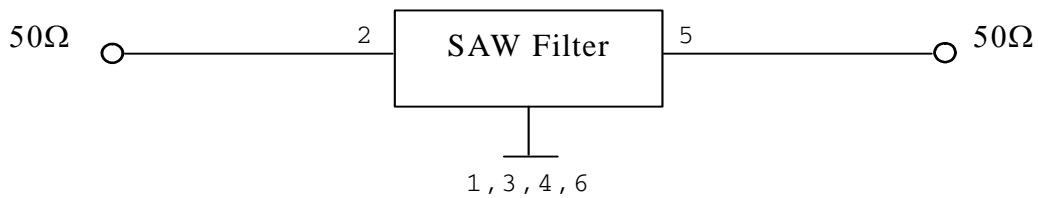
Model: TA1137A
Rev No. 2

C. OUTLINE DRAWING:

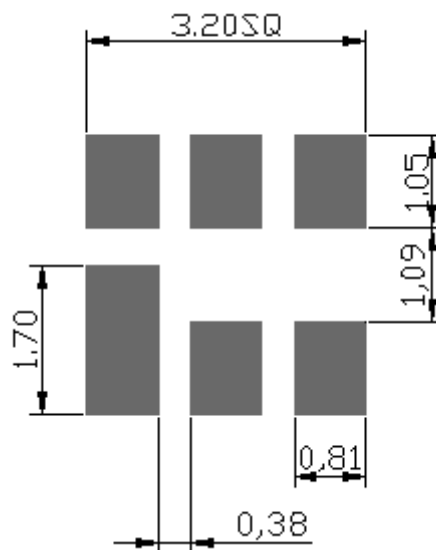


D. MEASUREMENT CIRCUIT:

HP Network analyzer



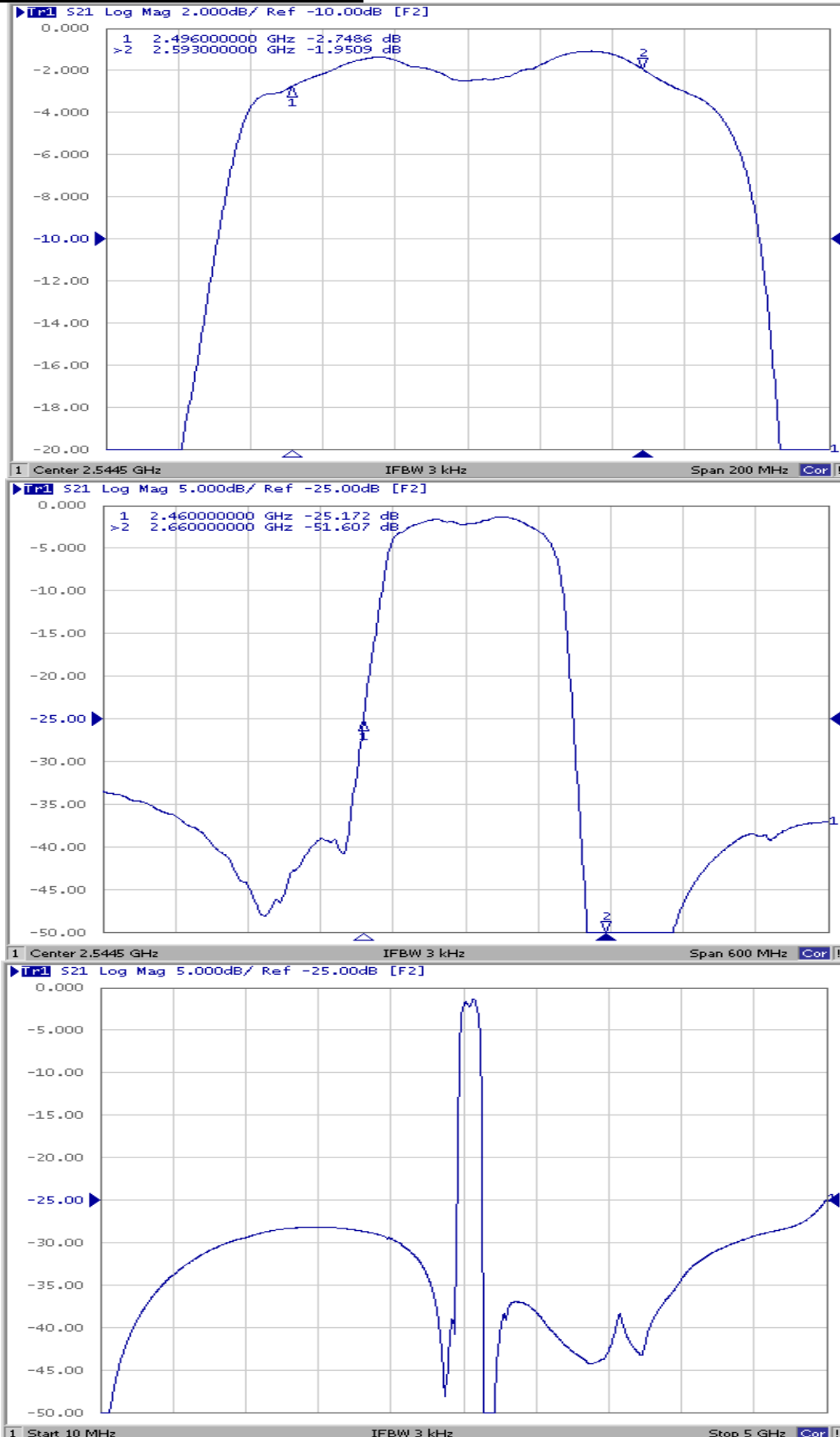
E. PCB FOOTPRINT:



SAW Filter 2544.50MHz
Part No: MP03651

Model: TA1137A
Rev No. 2

F. FREQUENCY CHARACTERISTICS:

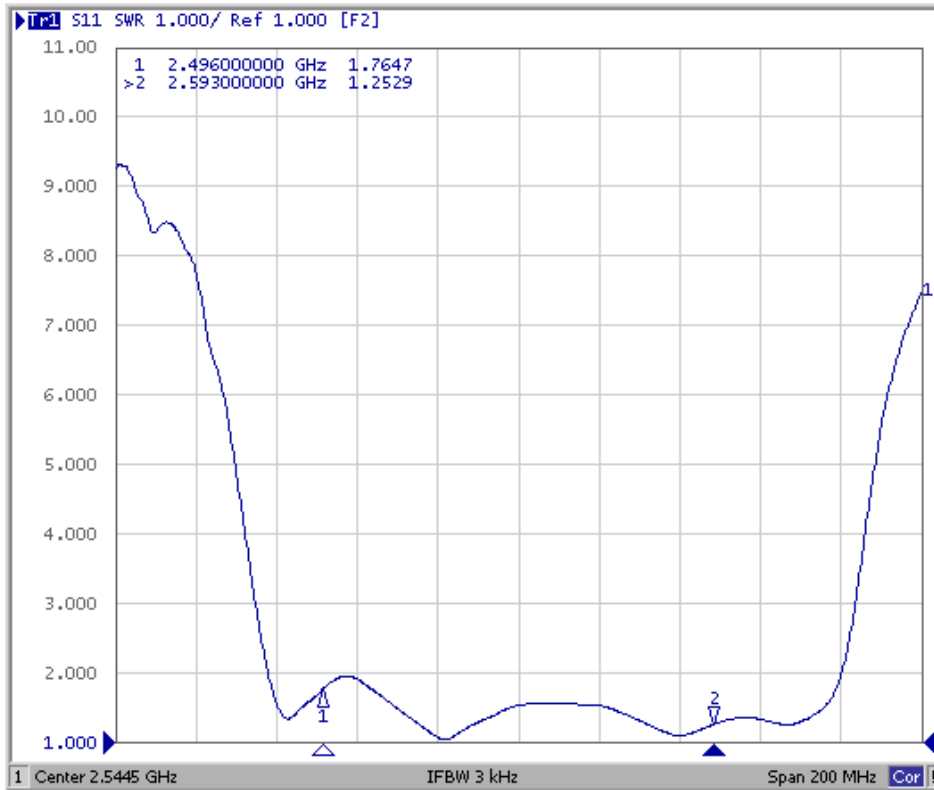


SAW Filter 2544.50MHz
Part No: MP03651

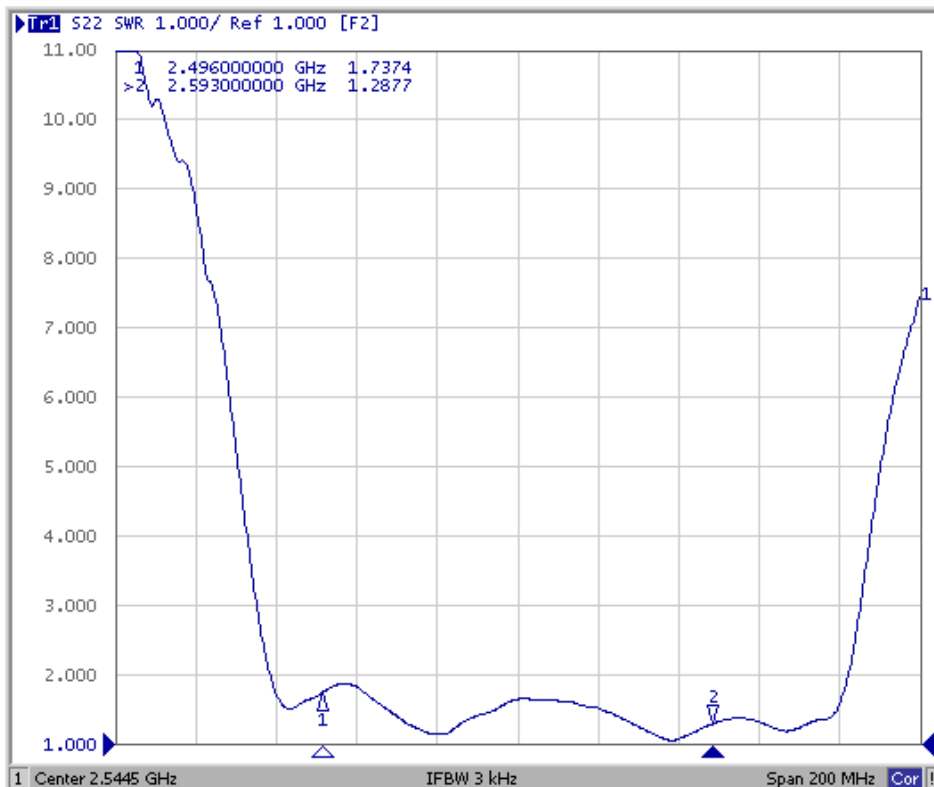
Model: TA1137A
Rev No. 2

Reflection Functions

S11



S22

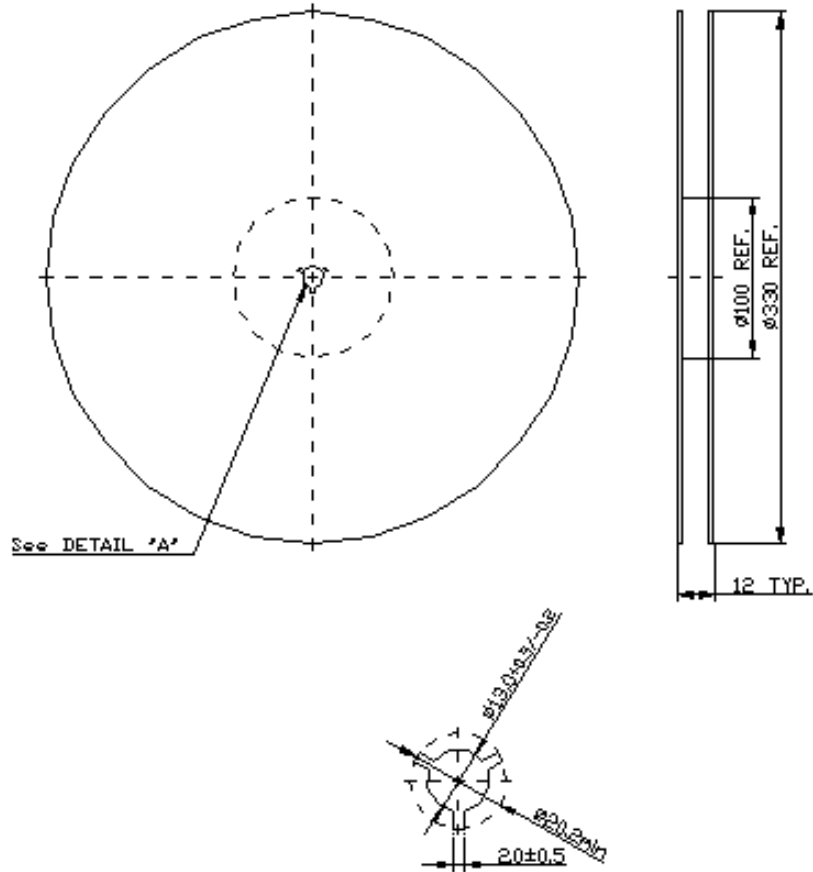


SAW Filter 2544.50MHz
Part No: MP03651

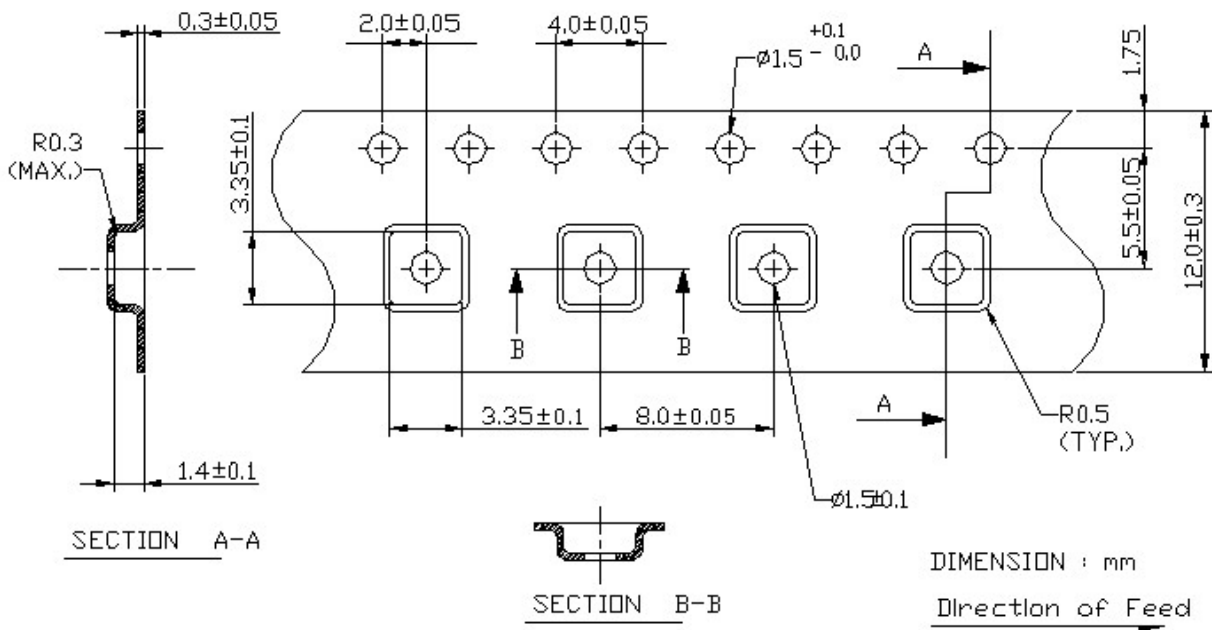
Model: TA1137A
Rev No. 2

G. PACKING:

1. Reel Dimension



2. Tape Dimension



SAW Filter 2544.50MHz
Part No: MP03651

Model: TA1137A
Rev No. 2

H. RECOMMENDED REFLOW PROFILE:

